



**2026  
Parts Catalog**

# AgXcel

**Precision made simple**

GX Electric Pump(s) Series

GX3 Low Volume

GX5 Hydraulic Series

GX7 Row By Row Monitoring

GX12 Injection Series

GX12HP Revolution Injector

GX Series Manifold

GX Stainless Steel Tubes

GX ClearPath Row Cleaners



**Precision Liquid Fertilizer Systems**

[www.agxcel.com](http://www.agxcel.com)

**877.218.1981**

[info@agxcel.com](mailto:info@agxcel.com)

Go beyond expectations with AgXcel!



## SEAMLESS INTEGRATION INTO

- Green Star
- Ag Leader
- Trimble
- Raven
- Micro-Trak
- Manual Rate Controller



### TABLE OF CONTENTS

GXELECTRICSERIES.....	4 - 7
GX12CHEMICALINJECTOR.....	8 - 11
GX12 HIGH PRESSURE INJECTOR .....	12 - 13
GXMANIFOLD.....	14 - 25
GXFLOWMETERS.....	26 - 29
GXSECTIONCONTROL.....	30 - 33
GXINTEGRATION.....	34 - 41
GXOPTIONALKITS.....	42 - 51
GX7ISO ROW MONITORING.....	52 - 53
GX5HYDRAULIC.....	54 - 55
• GX5LFP80.....	56 - 59
• GX5LFP120.....	60 - 63
• GX5 LFP160 .....	64 - 67
• GX5D250.....	68 - 71
• GX5 LFP45/BP45 (RETIRED) .....	72 - 73
• GX5 D70 (RETIRED) .....	74 - 75
• GX5 D115 (RETIRED) .....	76 - 77
• GX5 D160 (RETIRED) .....	78 - 79
GX5 CENTRIFUGAL ACE .....	80 - 83
GX20 DRY TREATER .....	84 - 85
GX20 1/2/3 PRODUCT CHEMICAL MIXER ....	86 - 89
GX45AUTOBATCHLFPGAS.....	90
GX50N-FUSELECTRIC/LFPGAS .....	91 - 97
GX50VISIO LITE - TRANSFER .....	98 - 99
GXCLEANPATHROWCLEANERS.....	100
GXSTAINLESSSTEELTUBES.....	101 - 103
GXTANKS&BRACKETS.....	104 - 109

## PRECISION LIQUID FERTILIZER SYSTEMS

designed for planters, drills,  
strip till machines, cultivators, & sprayers

- COMPLETE CUSTOM MANIFOLD SETUPS
- COMPLETE CUSTOM TANKS & BRACKETS
- APPLICATORS: SS TUBES & REBOUNDERS
- DRY FERTILIZER TREATERS



This is a collection of our most common parts for our GX series of liquid fertilizer application systems. Our systems are customized for our customers needs so if you do not see the particular part you are looking for please contact our Sales Team for assistance.

We look forward to being of service to you and all your fertilizer application needs.

*Team Agxcel*

Look out for QR codes throughout our catalog to jump directly to our corresponding YouTube information page. Here's one! Give it a try!



REV:NL12182025.v1

# 360 Dash

## Fertilizer Application System

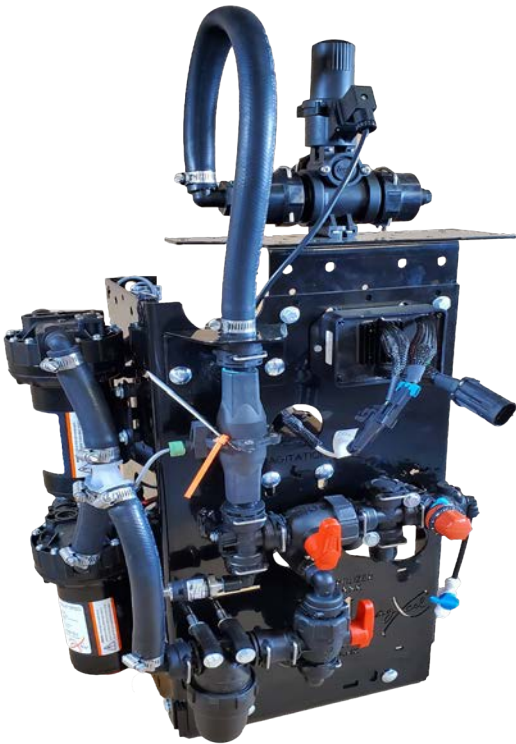
ROBUST \* RELIABLE \* SIMPLE

### Introducing...

AgXcel & 360 Yield Center have partnered together to provide an optimized fertilizer pump system for the 360 DASH in-furrow fertilizer system.

Custom made specifically for 360 DASH, several components have been added to make applying starter fertilizer as simple and as trouble free as possible. These components include...

- Pressure Transducer.
- A Master Ball Valve to hold pressure.
- A 50PSI Pressure Regulator to ensure you never build too much pressure.
- Two Positive Displacement Diaphragm Pumps to ensure consistent application at the rows.
- A Magnetic Flow Meter to accurately dispense and adjust rate as needed.
- Two filters to prevent plugging the pumps.
- AgXcel's Custom PWM to lock in on all desired rates.



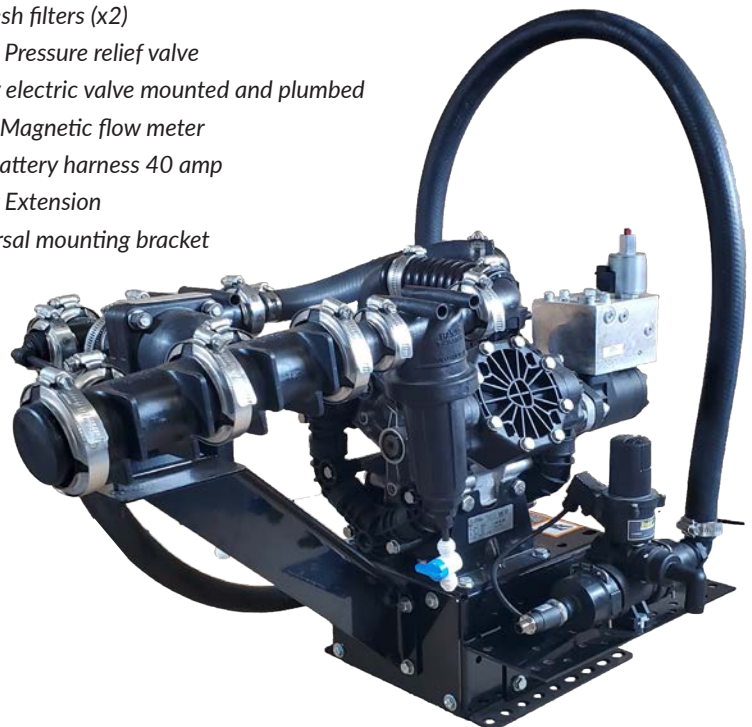
The customized Dash unit built to Yield 360 center requirements and included in each kit is:

- GX2C Dual Electric or GX5 Hydraulic Unit
- Pressure Transducer kit
- 50 mesh filters (x2)
- 50 psi Pressure relief valve
- 2-way electric valve mounted and plumbed
- Orion Magnetic flow meter
- 20ft battery harness 40 amp
- Power Extension
- Universal mounting bracket



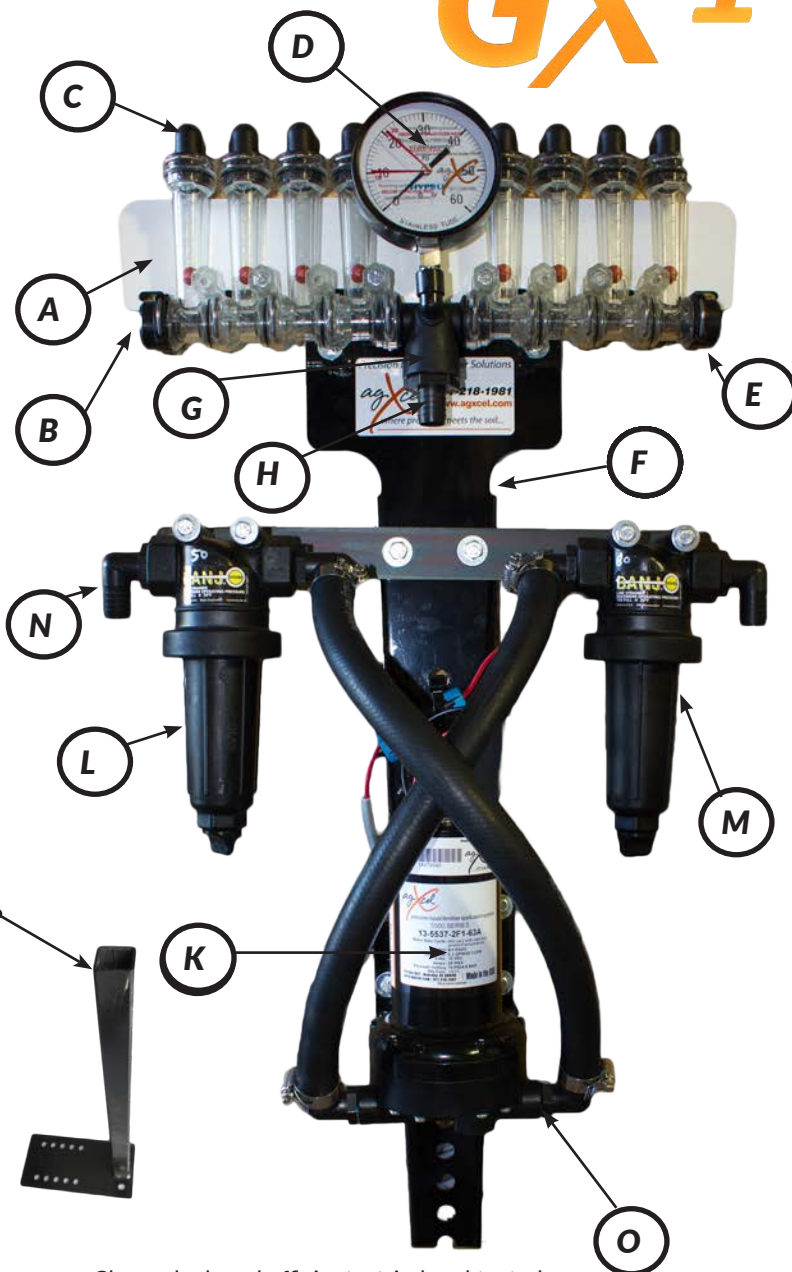
#### Features:

- Both Electric & Hydraulic Diaphragm Pumps available
- Easily controlled through the 360 Yield Center Dash App
- Backed by AgXcel's Customer Support Team



**GX1**

GX1 SYSTEM COMPONENTS		
PN#	DESCRIPTION	
A	406	up to 6R FLOW COLUMN BACK (Wht)
	414	up to 8R FLOW COLUMN BACK (Wht)
	20106	7 - 12R FLOW COLUMN BACK (Wht)
B	18082	MOUNTING BRACKET for PN#406
	18088	MOUNTING BRACKET for PN#414
	18083	MOUNTING BRACKET for PN#20106
WILGER COLUMN HARDWARE KIT - PN#38324 One kit is used for mounting up to 12R onto a GX1 chassis (tomahawk) bracket.		
C	25709	WILGER TOP CAP 1/4 QC (outlet to rows)
	17655	WILGER TOP CAP 3/8 QC (outlet to rows)
D	33816	GAUGE (If mounted as shown)
	53769	GX REMOTE GAUGE KIT (60psi)
E	18039	COLUMN END CAP & CLIP
F	38260	GX CHASSIS (Tomahawk)
G	18037	WILGER CENTER FED TEE (as shown) (if using gauge add PN#52142- Elbow)
H	32239	3/4" HOSE SHANK (INLET)
<b>**IF NOT USING A CENTER INLET FEED **</b>		
INLET OPTIONS	18034	3/4" HOSE SHANK - 90 DEG
	18032	3/4" HOSE SHANK
	25682	LOCK U-CLIP
53961	GX1 MOUNT AVAILABLE TO RAISE OR MANEUVER A CROWDED TOOLBAR	
53578	GXUBolt 7 X 8 1/2 X 1/2" (Case/JD)	
20329	GXUBolt 5 X 7 X 1/2"	
17585	GXUBolt 5 X 8 1/2 X 1/2" (Kinzie)	
38446	GXUBolt 7 X 5 X 1/2"	
AgXcel stocks a wide variety ubolt sizes		
K	20002	5.3 GPM PUMP QC
	20162	5.3 GPM PUMP THREADED
L	51169	50 MESH IN LINE FILTER
OPTIONS	51208	30 MESH FILTER ONLY
	17677	50 MESH FILTER ONLY
	51238	80 MESH FILTER ONLY
	51192	100 MESH FILTER ONLY
M	51171	80 MESH IN LINE FILTER
N	32331	3/4" BARB ELBOW 3/4MNPT
O	17919	FITTINGS FOR QC PUMP
	32313	FITTINGS FOR THREADED PUMP



- Clean, sleek and efficient....tried and tested
- Shipped pre-assembled to YOUR specs.
  - Easy Installation and seamless management
  - Single Pump Configurations
  - Large 4" Gauge for proper pressure management
  - Filters, 50 & 80 Mesh Screen
  - Custom built weather packed harnesses
  - Withstands even the most demanding conditions

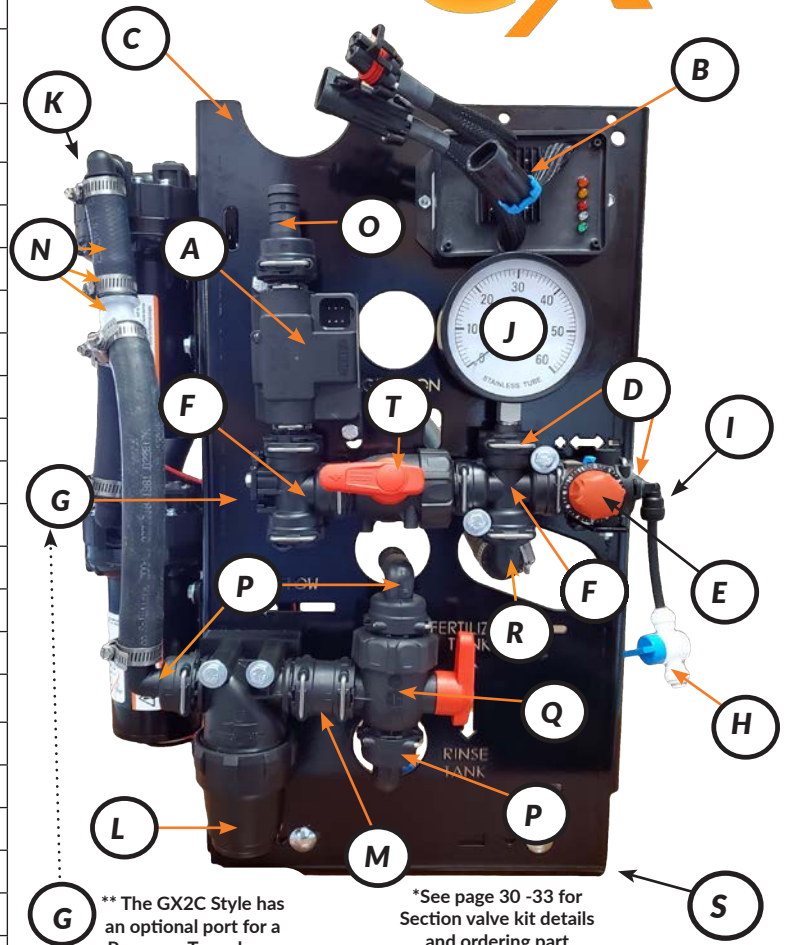
Perfectly paired with our Manual rate controller  
(See pg. 40-41 for kit details)

- Simple & Effective flow control management
  - Easy Flow Regulator
  - On/Off Switch
- Simple, plug 'n play Installation

\*See pg. 14 - 25 for manifold part numbers - kits based upon no# of rows. Call for details.\*

# GX2

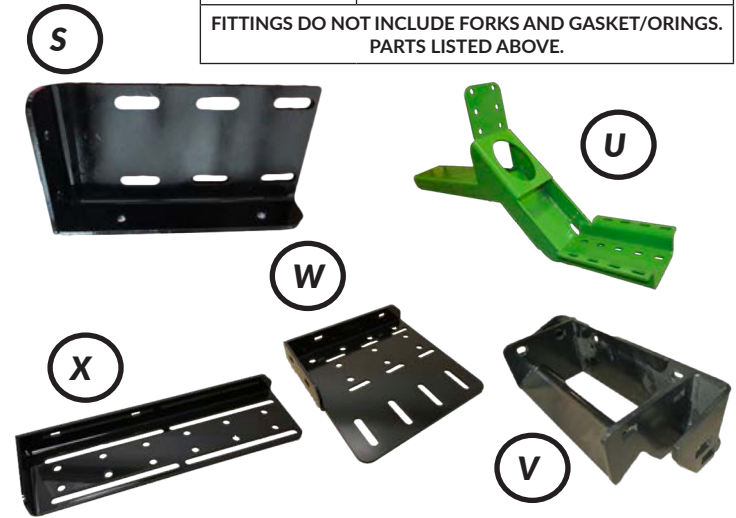
GX2C SYSTEM COMPONENTS		
PN#	DESCRIPTION	
A	SOLD SEPARATELY	See pg. 26 - 29 for flow meter options. Call for details.*
B		See pg 34 - 41 for Integration options Call for details.*
Basic GX2C replacement parts If you do not see the particular part you need, please contact our sales team for assistance.		
C	55117	GX2C CHASSIS - Metal Chassis only
D	55070	CAP ADAPTER FOR GAUGE T3M 1/4"
E	55069	MODULAR REGULATOR T3 HIGH FLOW
	20808	3/8" PLUG (back of Regulator - not shown)
F	55068	4-WAY FITTING 90° T3F
G**	53491	PRESSURE TRANSDUCER KIT (*Optional Add-on)
H	19848	BLEEDER VALVE 1/4" QC
I	260	QC1 - 90 DEG 1/4" QC TO 1/4" MALE NPTF
J	33816	60 PSI GAUGE
K	20002	5.3 GPM PUMP QC (STANDARD)
	17919	BARB FOR QC PUMP (Inlet & Outlet)
	20162	5.3 GPM PUMP THREADED
THE GX2C ONLY SUPPORTS ONE FILTER OPTION		
L	55066	80 MESH IN LINE FILTER (STD ON GX2C)
	13189	INTERIOR FILTER ORING (NOT SHOWN)
OPTIONS	56119	32 MESH FILTER ONLY
	55549	50 MESH FILTER ONLY
	55548	80 MESH FILTER ONLY
	56471	100 MESH FILTER ONLY
M	55065	THREADED SOCKET T3F
N	308	3/4 BLACK HOSE
	19646	9/16 -1-1/4 STAINLESS STEEL HOSE CLAMP
	18204	3/4" HOSE BARB Y (FOR DUAL SYS ONLY)
O	54664	ELBOW T3M D.20 = 3/4"
P	54662	ELBOW T3F D.20
Q	54671	3-WAY BALL VALVE T3M
R	54664	ELBOW T3M D.20 = 3/4"
S	55129	GX2CBASEBKT (STD GX2C BASE)
T	54701	2-WAY BALL VALVE
OPTIONAL MOUNTING BRACKETS FOR THIS GX STYLE		
U	53833	GX2BSTACKERBASEJD
V	53964	GX2BCCS/1790/DB/ADAPT BKT
W	37659	GX2C NT BASE - KINZIE
X	56030	GX2C STACKER EXTENDED BASE



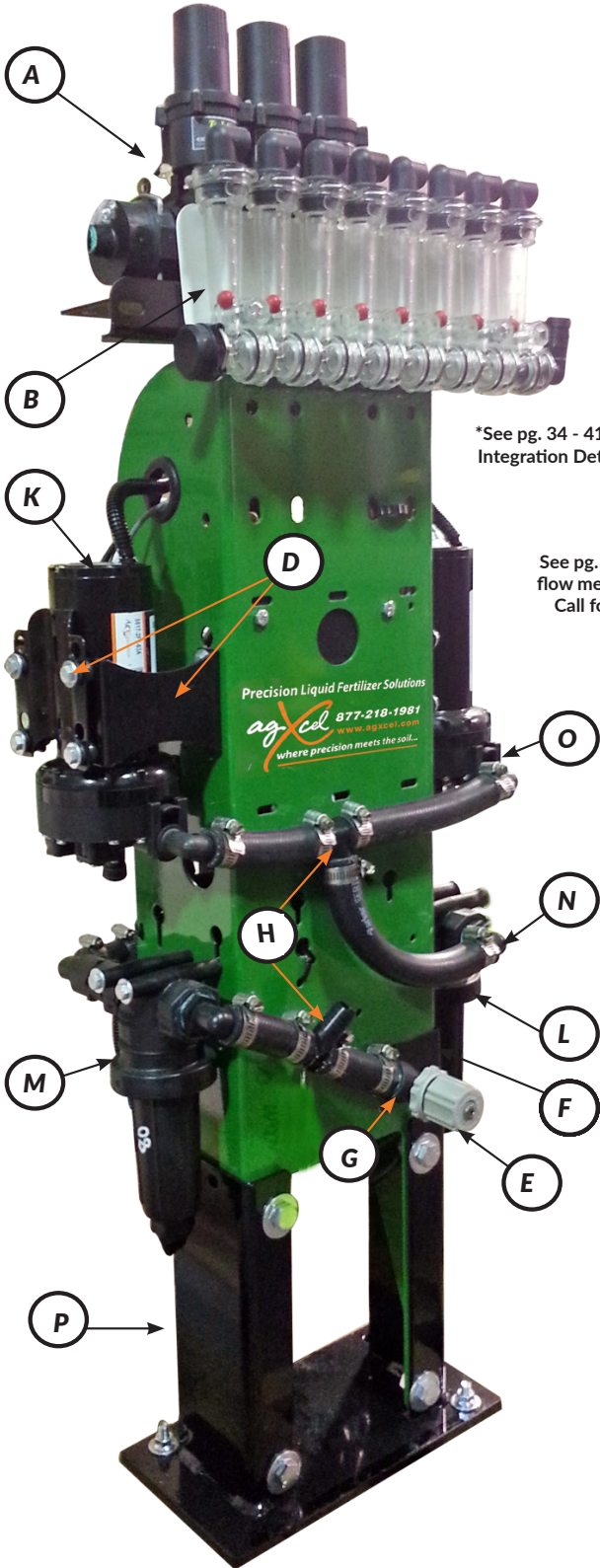
**G** \*\* The GX2C Style has an optional port for a Pressure Transducer

\*See page 30 -33 for Section valve kit details and ordering part numbers.\*

GX2C SYSTEM COMPONENTS	
PN#	DESCRIPTION
54674	GASKET, VITON T3
54677	FORK D.3 DIST.29
FITTINGS DO NOT INCLUDE FORKS AND GASKET/ORINGS. PARTS LISTED ABOVE.	



\*See pg. 14 - 25 for manifold part numbers - kits based upon no# of rows. Call for details.\*



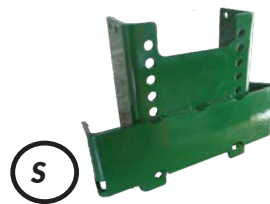
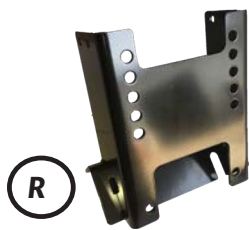
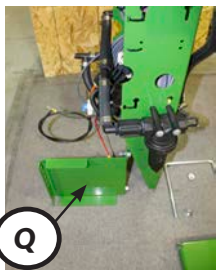
\*See pg. 34 - 41 for Integration Details

See pg. 26 - 29 for flow meter options. Call for details\*

Precision Liquid Fertilizer Solutions  
 agxcel 877-218-1981  
 www.agxcel.com  
 where precision meets the soil.

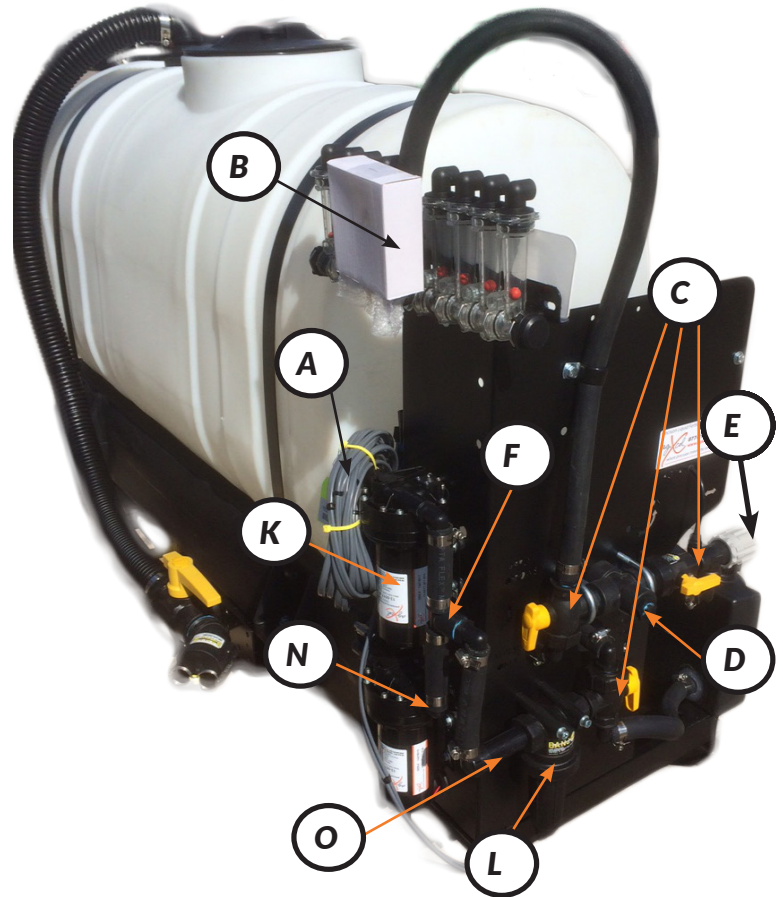
**GX2 SYSTEM COMPONENTS**

PN#		DESCRIPTION
A	SOLD SEPARATELY	*See page 30 -33 for Section valve kit details and ordering part numbers.*
B		*See pg. 14 - 25 for manifold part numbers - kits based upon no# of rows. Call for details.*
Basic GX2 replacement parts If you do not see the particular part you need, please contact our sales team for assistance.		
C	19935	GX2CHASSIS - Metal Chassis only
D	20331	PUMP MOUNTING BRACKET
	20381	GX PUMP HARDWARE KIT for Bracket
E	39500	BYPASS VALVE
F	53960 53959	BYPASS VALVE Bracket (Front/Back) Both are needed to hold relief valve
G	18005	3/4" SHANK
H	15	3/4" HOSE SHANK TEE (inlet)
I	20340	IN LINE TEE FOR BLEEDER VALVE (NOT SHOWN - BACK SIDE)
K	20002	5.3 GPM PUMP QC (STANDARD)
	20162	5.3 GPM PUMP THREADED
L	51169	50 MESH IN LINE FILTER
OPTIONS	51208	30 MESH FILTER ONLY
	17677	50 MESH FILTER ONLY
	51238	80 MESH FILTER ONLY
	51192	100 MESH FILTER ONLY
M	51171	80 MESH IN LINE FILTER
N	32331	3/4" BARB ELBOW 3/4MNPT
O	17919	FITTINGS FOR QC PUMP
	32313	FITTINGS FOR THREADED PUMP
OPTIONAL MOUNTING BRACKET FOR THIS GX STYLE		
P	53969	GX2CHASSIBASEKIT (REQ 8-10" BAR MINIMUM)
Q	55060	GX2CHASSISEXTENDERKIT
R	53970	GX2CHASSIS FOR JD CCS (NO REFUGE TANK PRESENT)
S	55792	GX2 CCS CHASSIS BASE 1770/1790 (BETWEEN SEED BINS)





GX3 SYSTEM COMPONENTS		
PN#	DESCRIPTION	
A	SOLD SEPARATELY	*See pg. 34 - 41 for Integration Details
B		*See pg. 14 - 25 for manifold part numbers - kits based upon no# of rows. Call for details.*
Basic GX3 replacement parts If you do not see the particular part you need, please contact our sales team for assistance.		
C	37667	3-WAY BALL VALVE 3/4" NPT
D	50273	4-WAY CROSS
E	39500	BYPASS VALVE
F	32476	3/4 FEMALE BARB TEE
G	18005	3/4" SHANK
H	15	3/4" HOSE SHANK TEE (inlet)
I	20340	IN LINE GAUGE TEE (on back side plumbing)
K	20002	5.3 GPM PUMP QC (STANDARD)
	20162	5.3 GPM PUMP THREADED
L	51169	50 MESH IN LINE FILTER
OPTIONS	51208	30 MESH FILTER ONLY
	17677	50 MESH FILTER ONLY
	51238	80 MESH FILTER ONLY
	51192	100 MESH FILTER ONLY
M	32331	3/4" BARB ELBOW 3/4MNPT
N	17919	FITTINGS FOR QC PUMP
	32313	FITTINGS FOR THREADED PUMP
O	51999	4" NIPPLE
OPTIONAL MOUNTING BRACKET FOR THIS GX STYLE		
	55579	GX3 STANDARD MOUNT 9" (Not Shown)
P	53940	GX3 STANDARD MOUNT 21"
Q	38333	GX3 OFFSET MOUNT
AGXCEL STOCKS A VAST ARRAY OF UBOLT SIZES TO MOUNT OUR SYSTEMS TO MOST ANY IMPLEMENT		



See pg. 26 - 29 for flow meter options. Call for details\*

\*See page 30 - 33 for Section valve kit details and ordering part numbers.\*



**CALCULATOR**

Our easy to use, orifice and metering tube calculator is available FREE now on the App Store.



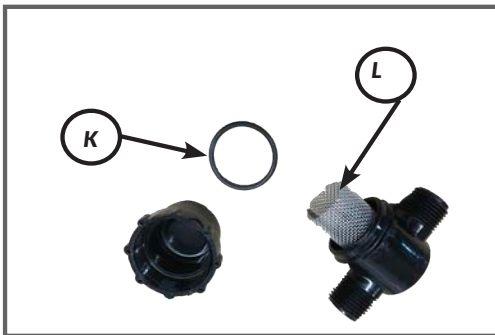
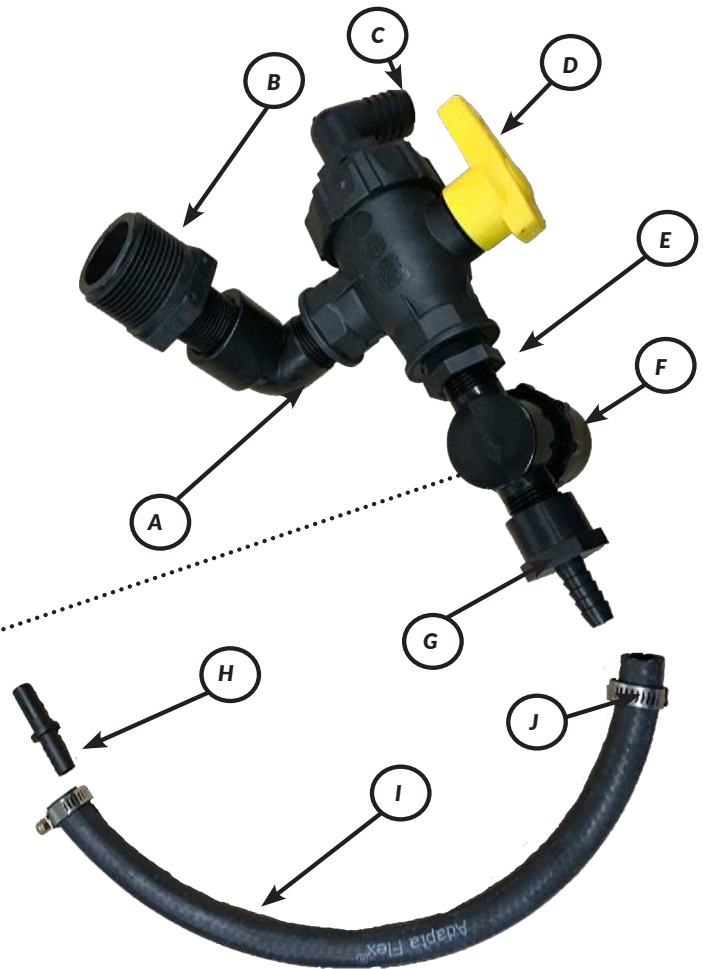
# GX12i



Also available with 20 gallon tank

GX12INJECTOR - COMPLETE UNIT		
%	PN#	ITEM
2%	20202	2% COMPLETE UNIT
5%	20556	5% COMPLETE UNIT
2%	57411	2% 20 GALLON COMPLETE UNIT
5%	57412	5% 20 GALLON COMPLETE UNIT

INJECTOR LOWER PLUMBING			
	PN#	QTY#	ITEM
A	52146	1	3/4 X 90D ELBOW
B	52108	1	1-1/4 X 3/4 REDUCER
C	32331	1	3EL34 POLY ELBOW
D	37667	1	3/4 3 WAY BALL VALVE
E	32432	1	3/4 X 1/2 BUSHING
F	31209	1	MINI STRAINER W/20MESH
G	32272	1	1/2" FEMALE TO 3/8" BARB
H	20808	1	3/8 STEM X 3/8 BARB
I	17614	3FT	3/8" BLACK HOSE
J	17649	2	SS HOSE CLAMPS #6



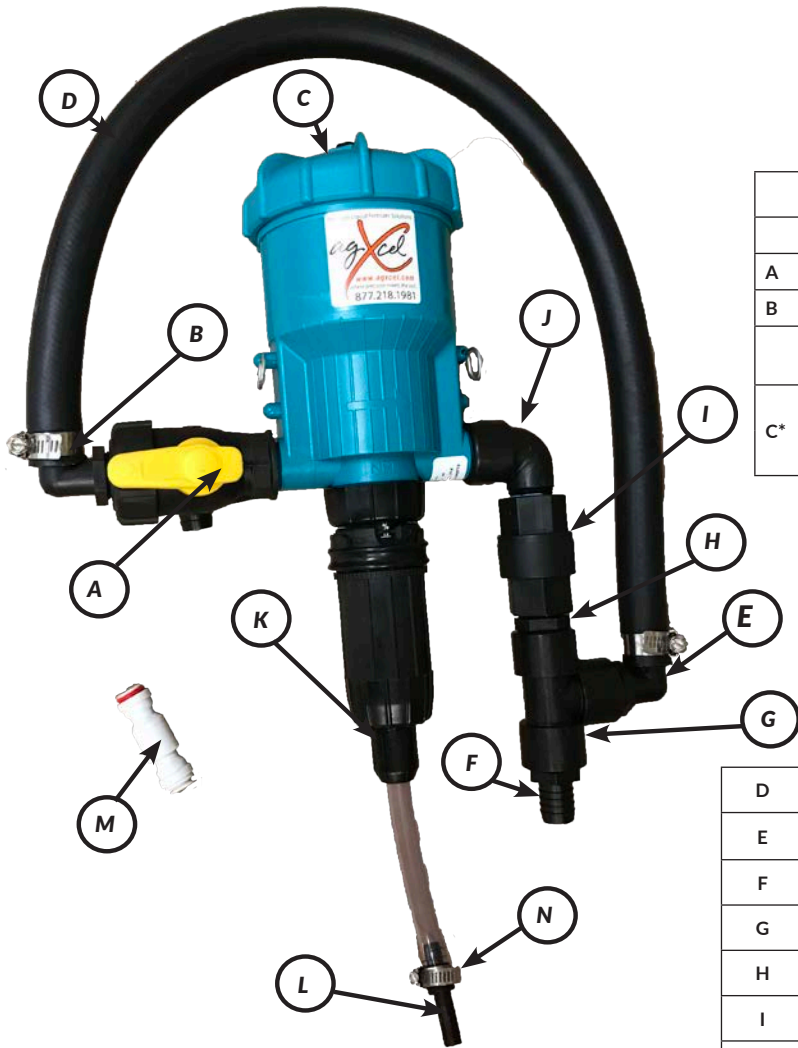
*PARTS INSIDE MINI STRAINER PN#31209			
K	30015	1	GASKET - BUNA
L	54426	1	20 MESH SCREEN
OPTIONAL MESH SCREEN/GASKET SOLD SEPARATELY			
	30300		80 MESH SCREEN
	30013		GASKET - VITON

\*\*System must be flushed out after every use to avoid damaging components\*\*



INJECTOR COMPLETE UPPER PLUMBING		
%	PN#	ITEM
2%	20549	2% PLUMBING KIT - UPPER UNIT
5%	20555	5% PLUMBING KIT - UPPER UNIT

\*\*System must be flushed out after every use to avoid damaging components\*\*



INJECTOR UPPER PLUMBING COMPONENTS			
	PN#	QTY#	ITEM
A	37667	1	3-WAY BALL VALVE
B	19646	2	CLAMP(S) #12
ONLY ONE OF THE BELOW FOR PART C DEPENDING ON PERCENT OF INJECTOR			
C*	54108	1	2% INJECTOR
	53513	1	5% INJECTOR

\*\*For GX12 agitation kit see page 53 of the GX optional kit section. \*\*

D	308	2FT	3/4" BLACK HOSE
E	32331	3	3EL34 POLY ELBOW
F	18005	1	AL34P-POLY HOSE BARB
G	52214	1	3/4" POLY PIPE TEE
H	32399	1	3/4 THREADED NIPPLE
I	54022	1	3/4" 1# IN LINE CHECK VALVE
J	52146	1	3/4 X 90D ELBOW
ONLY ONE OF THE BELOW FOR PART K DEPENDING ON PERCENT OF INJECTOR			
K*	55176	1	HOSE NUT FOR 2%
	55523	1	HOSE NUT FOR 5%
L	20808	1	3/8 STEM X 3/8 BARB
M	54207	1	3/8 CHECK VALVE .3PSI
N	17649	1	SS HOSE CLAMPS #6



**Keep From Extreme Temperature**

Protect the injector from freezing temperature or excessive heat.

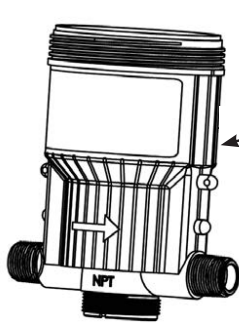
**Rinse Injector After Each Use**

Additives allowed to remain in injector can dry out, foul or damage the lower end at the next start-up.

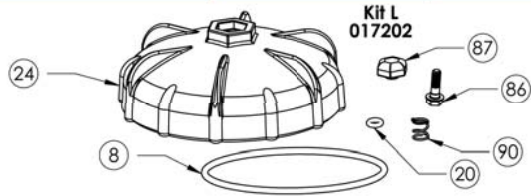
**Injector Not in Use for an Extended Period**

If the injector has not been stored properly deposits may have dried onto the motor. Before operation, soak entire unit into room temperature water approximately 72°F (22°C) for a 24 hour period.





INJECTOR REPLACEMENT PARTS		
KIT#	PN#	ITEM
102801NPT	54496	BODY, ADJUSTABLE GX12i NPT
KIT H-017200	54492	MOTOR PISTON REPLACEMENT
KIT L-017202	54494	REPLACEMENT COVER KIT



**Kit H WSP: Motor piston kit**  
Motor piston assembly



Change as needed

\*\*System must be flushed out after every use to avoid damaging components\*\*

\*\*NOTE: Parts within kits are not available for individual sale. Only as complete kits \*\*

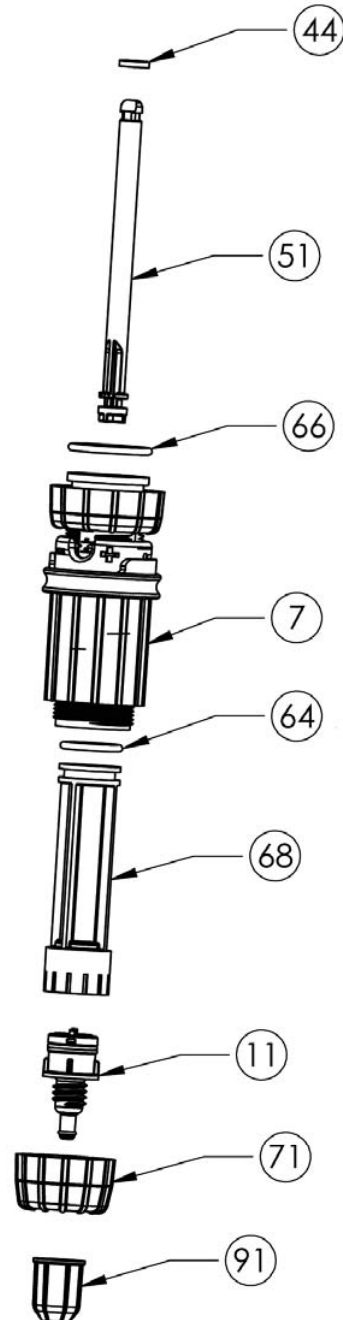
**KIT A**

**KIT B**

**KIT D**

**KIT E**

**KIT G**



## Kit A: Dosage gasket kit

Dosage gasket



- Light Usage:**  
Change every 6-12 months
- Medium Usage:**  
Change every 6 months
- Heavy Usage:**  
Change every 3-4 months

## Kit B: Wear kit

Dosing gasket, shaft



Change as needed

## Kit D WSP: Check valve kit

Suction tube fitting assembly (poppet, O-ring, spring, fitting)



Change as needed

## Kit E: Wear parts maintenance kit

Inner cylinder, shaft and check valve



Change as needed

## Kit G WSP: Complete lower end kit

Dosing gasket, O-ring, shaft, gasket, inner cylinder and check valve, outer cylinder, ratio adjuster, O-rings, pin, filter, solution tube with strainer filter



Change as needed

### Every 3 - 6 Months

1. Clean Seal areas #44.
2. Clean & Check #64 Seal, #68 Cylinder, clean and/or replace as necessary.
3. Clean Filters

### Every 6 - 12 Months

1. Replace Dosage gasket #44.
2. Clean and/or replace Check Poppet, inside #11 Suction Tube Fitting.

### Replace as Necessary

1. #68 Cylinder
2. #64 O-ring/Gasket
3. Motor Piston #9
4. #51 and #44 Shaft Assembly
5. Check Valve Assy and Tubing

All referenced kits come with standard Viton seals.

**NOTE:** Maintenance intervals may vary depending on conditions of use and the chemicals being injected.

2% INJECTOR MAINTENANCE KITS		
KIT#	PN#	ITEM
KIT A-017210WSP	54527	AQUA BLEND 2% WSP WEAR KIT A VITON
KIT B-017211WSP	55532	AQUA BLEND 2% ADJ. WEAR KIT B VITON
KIT D-017213WSP	54528	AQUA BLEND 2% ADJ. WEAR KIT D CHECK VALVE VITON
KIT E-017214WSP	55541	AQUA BLEND 2% ADJ. WEAR KIT E VITON
KIT G-017216WSP	55542	AQUA BLEND 2% ADJ. WEAR KIT G LOWER REPLACEMENT VITON

5% INJECTOR MAINTENANCE KITS		
KIT#	PN#	ITEM
KIT A-017220WSP	55524	AQUA BLEND 5% WSP WEAR KIT A VITON
KIT B-017221WSP	55540	AQUA BLEND 5% ADJ. WEAR KIT B VITON
KIT D-017223WSP	55525	AQUA BLEND 5% ADJ. WEAR KIT D CHECK VALVE VITON
KIT E-017224WSP	55526	AQUA BLEND 5% ADJ. WEAR KIT E VITON
KIT G-017226WSP	55527	AQUA BLEND 5% ADJ. WEAR KIT G LOWER REPLACEMENT VITON

## DEFINITIONS:

**LIGHT USAGE:** Injector is used once a week

**MEDIUM USAGE:** Injector is used 3-4 times each week

**HEAVY USAGE:** Injector is used 24 hours a day, seven days a week

\*\*System must be flushed out after every use to avoid damaging components\*\*

2% RATIO TO SET %	
RATIO	SET%
50 - 57	2.0%
58 - 64	1.8%
65 - 80	1.5%
81 - 95	1.25%
96 - 130	1.0%
131 - 180	.75%
181 - 400	.50%
401 - 650	.20%

### STEPS TO CALCULATE YOUR %

1. TAKE YOUR CHEMICAL TOTAL OZ.
2. DIVIDE THAT NUMBER BY TOTAL OZ OF CARRIER
3. MOVE DECIMAL RIGHT 2 SPACES  
EX: 6oz/640 = 0.009 = .9%

5% RATIO TO SET %	
RATIO	SET%
20 - 21	5.0%
22 - 23	4.5%
24 - 25	4.0%
26 - 30	3.5%
31 - 34	3.0%
35 - 42	2.5%
43 - 57	2.0%
58 - 75	1.5%
76 - 128	1.0%



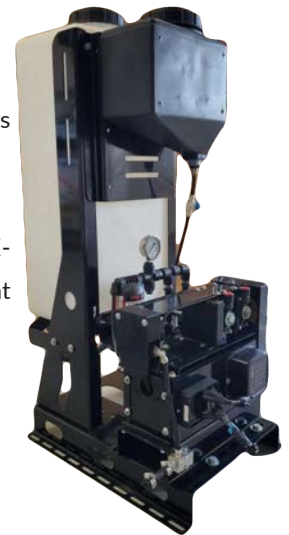
# GX12HP

The AgXcel GX12HP Revolution is a state-of-the-art high pressure chemical injection solution designed for the precise dose of Nano application solutions. Whether you are looking to inject low volume insecticides, fungicides or inoculants the GX12HP can effectively handle rates as low as 2 ounces per acre. Designed with the ability to accurately dispense liquid at high pressure. Injection is exact and precise with the ability to manage and change rates on the fly.



- GX12hp Low Flow - For use with injection rates from 2oz/min to 24oz/min
- GX12hp High Flow - For use with injection rates from 20oz/min to 128oz/min
- High performance positive displacement pump equates to an accurate and precise dosage on every acre.
- Utilizing AgXcel's state of the art proprietary electronic motor driver.

Great for use with insecticides, fungicides, nutrient managers and micro-nutrients. With the ability to seamlessly integrate fully into major OEM controllers like Field-IQ, Agleader, Raven, Micro-Trak, Pro700/ AccuControl and John Deere, management of the GX12HP becomes effortless. With the use of AgXcel integration kits the setup is simple and straight forward.

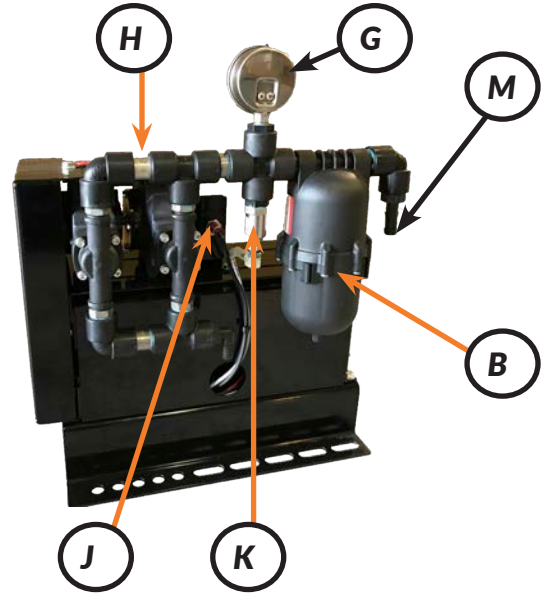
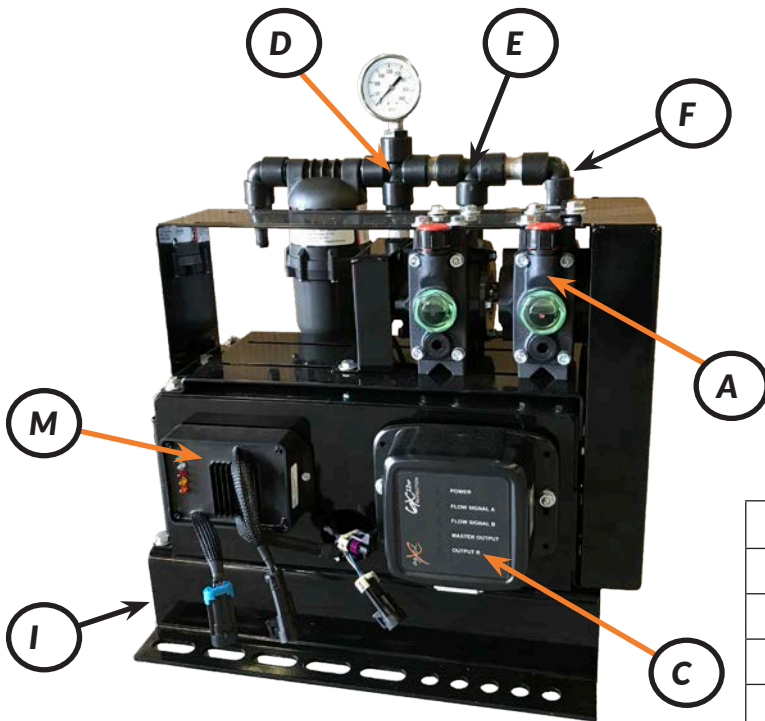


GX12HP 20 Gallon Tank Kit (PN# 57363)

HARNES	
PN#	DESCRIPTION
51854	GX12HP MAIN HARNES
56199	GX12HPREV - FLOW SENSE 'Y'
53594	6 SECTION BOOM
20031	TRANSDUCER EXT SOLD BY THE FT
BOOM EXTENSIONS	
56174	50' EXTENSION
56173	40' EXTENSION
56172	30' EXTENSION
56171	20' EXTENSION
PLUMBING	
19920	1/4" TUBING
37619	1/2" BLK HOSE
17649	#6 HD CLAMPS FOR PN#37619
308	3/4 BLK HOSE (PRE CUT IN 50FT)
19646	#12 CLAMPS FOR PN#308 HOSE
PWM EXTENSIONS	
53665	20FT
53666	30FT
53668	40FT

ACCESSORY - MOUNTING BRACKETS	55207	55G TANK PLUMBED W/CRADLE & STRAPS - NO SYSTEM
	55545	110G TANK PLUMBED W/CRADLE & STRAPS - NO SYSTEM
	31288	WEDGE - 55GAL ONLY
	56317	UNI ARMS MOUNT KIT - 110GAL ONLY
	55598	GX40_UNIVERSAL 6"
	55597	GX40_UNIVERSAL 16"
	55596	GX40_UNIVERSAL 24"
	17709	RINSE TANK ARM MOUNT
	37719	3GAL RINSE TANK MOUNT
	55625	GX40 LOW PROFILE TANK KIT
	20554	GXUBOLT 6X8 X5/8
	37776	GXUBOLT 4X7.5 X5/8
	53719	GX_BOLT9x5/8"

# GX12HP



GX12HP SYSTEMS	
51858	GX12HP-HV1 / SYSTEM / RPM120
51861	GX12HP-HV2 / SYSTEM / RPM120
57363	20 GALLON TANK KIT ADDON

MISC PARTS	
56097	ANHYDROUSINLINEMIXER1-1/2"
56363	NH3 N-SERVE CHECK VALVE 1/2"












PLUNGER PUMP PARTS	
20592	GX12HPPUMPSEALKIT28MM
20586	GX12HPOILPLUG3/8"
20261	GX12HPPUMPHEAD,PABLACK
56198	GX12HPPUMP FORK
20593	GX12HPSPARESKIT

GX12HP REVOLUTION INJECTOR		
PN#	DESCRIPTION	
A	55662	GX12HPREV - INJPUMP-P1
B	56085	ACCUMULATORTANK3/8FNPT
C	47183	GX12HPREV - MODULE ONLY
D	50272	POLY 1/2" CROSS FEM
E	52213	POLY TEE 1/2" FEM
F	50576	POLY ELBOW 1/2" FEM
NOT SHOWN	55729	GX12HPREV - HIGHRPM MOTOR
	57400	TIMING BELT 3/8" PITCH 16T
	56857	TIMING PULLEY 16T
	57399	TIMING PULLEY 3/8" PITCH 16T
	57305	FLOW SWITCH GX12HP
G	20844	2.5 SST GAUGE 400PSI
H	20603	NIP3041/2X2 - 1/2" NIPPLE
I	47201	GX12HPREV - ENCLOSURE
J	1534	RPM SENSOR
K	53491	PRESSURE TRANSDUCER KIT
L	18022	PWM KIT
M	32246	1/2" HB



ORIFICES		
PN#	DESCRIPTION	
SPECIAL ORDER	17975	DC-BLANK
	18203	30-DC010 GREY LF
	19967	30-DC014 - ROYAL BLUE LF
	17591	30-DC018 TERRACOTA
	54523	30-DC020 BLACK LF
	17964	30 DC 023 PINK
	17965	30-DC028 GREY
	17966	30-DC015 - BLACK
	17967	30-DC-02 BROWN
	17968	30-DC-03 ORANGE
	53501	30-DC-035 MAROON
	17969	30-DC-04 RED
	17970	30-DC-05 BLUE
	17971	30-DC-06 YELLOW
	17972	30-DC-07 EMERALD GREEN
	17973	30-DC-08 WHITE
	17974	30-DC-10 LIME (IMPERIAL) GREEN
	19962	30-DC-12 ROYAL BLUE

CHECK VALVE COMPONENTS	
PN#	DESCRIPTION
26321	CR DIAPH MOD ASY 10 PSI BLK CAP
41716	CR DIAPH MOD ASY 4 PSI BLUE CAP
54538	O'RING VITON - PRESSURE PAD
25712	WILGER 1/4" COLLET
25718	WILGER 3/8" COLLET
25803	VITON DIAPHRAGM
25799	BUNA DIAPHRAGM (OLD STYLE)
25951	RADIAL LOCK CAP OUTER O-RING
26410	NEW STYLE FKM DIAPHRAGM
25953	COMBO-JET SEAL/STRAINER ADAPTER
25772	1/2" HB SHANK 1/4 MNPT
54015	1/2" HB RADIAL CAP
370	8mm (5/16") PTC WILGER TOP (Spec Order)

METERING TUBES		
PN#		DESCRIPTION
38233		GX6MT - PINK
38241		GX6MT - YELLOW
38237		GX6MT - GREY
38242		GX6MT - NAVY BLUE
38243		GX6MT - BROWN
38250		GX6MT - SKY BLUE
38251		GX6MT - GREEN
38245		GX6MT - PURPLE
38246		GX6MT - ORANGE
38247		GX6MT - RED
38248		GX6MT - BLACK

**OLD**

Two piece Diaphragm & pressure pad o-ring

PN# 25803  
Viton Only



PN# 25686  
Viton Only



**NEW**

One piece Integrated Diaphragm/o-ring

PN# 26410  
FKM Only



\*\* Premium Viton o-rings, seals and assemblies will continue to be available \*\*

**NOTE:** Old style will be available until current stock is exhausted.

**AgXcel**  
CALCULATOR

Our easy to use, orifice and metering tube calculator is available FREE now on the App Store.



**CHECK VALVE MOUNTING BRACKET OPTIONS**

PN#	DESCRIPTION
57092	GXCHECKVALVEMOUNT DUALKIT - USED WITH THE STANDARD WILGER CHECK BODIES MOUNTED SIDE BY SIDE
57091	GXCHECKVALVEMOUNT SINGLE KIT - USED WITH A SINGLE WILGER CHECK VALVE BODY



CHECK VALVES			
	KIT#	ASSEMBLED PN#	DESCRIPTION
4#	310	38169 = BODY 38171 = 1/4" PTC CAP	4# CHECK VALVE WITH 1/4" PTC INLET/OUTLET
	305	28549 = BODY 54260 = 3/8 PTC CAP 19884 - 3/8 PTC INLET (QC6)	4# CHECK VALVE WITH 3/8" PTC INLET/OUTLET
	316	28549 = BODY 32253 = 3/8 BARB INLET 53465 = 3/8 BARB CAP	4# CHECK VALVE WITH 3/8" HOSE BARB INLET/OUTLET
10#	313	26315 = BODY 32253 = 3/8 BARB INLET 53465 = 3/8 BARB CAP	10# CHECK VALVE WITH 3/8" HOSE BARB INLET/OUTLET
	307	26315 = BODY 54260 = 3/8 PTC CAP 19884 = 3/8 PTC INLET (QC6)	10# CHECK VALVE WITH 3/8" PTC INLET/OUTLET



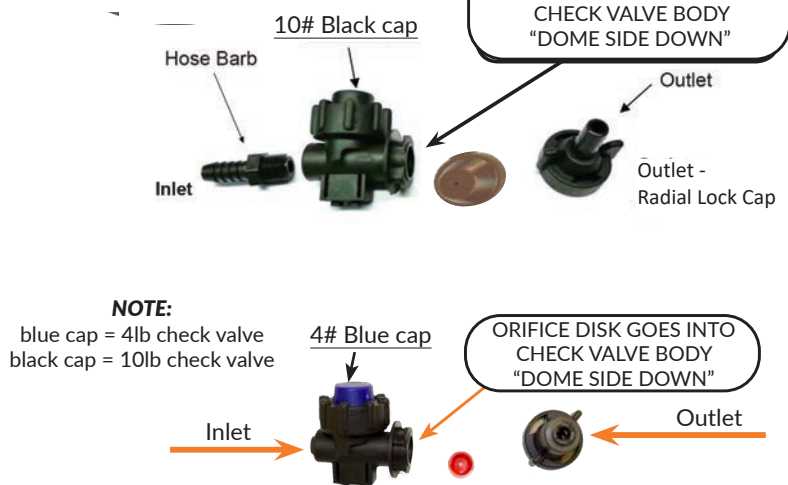
The preferred placement of the Agxcel check valve is as close to the row unit as possible, without sacrificing the security of the check valve. Approximately 30" from the bottom of the furrow (on every row, equal lengths) where liquid is being placed is ideal.

Follow these steps for successful placement:

1. Find a secure location, on top of the row unit where debris (like in no-till conditions) will not catch the check valve or tubing and rip it out of place.
2. Ensure that the install location allows for a tie strap to securely mount the check valve in place.
3. The check valve works best when approximately 30" from where liquid is being placed.
4. Ensure that the mounting location allows for ease of access to the orifice, in case the orifice size needs to be changed.



**CHECK VALVE EXAMPLES**



**CAP ASSEMBLY**

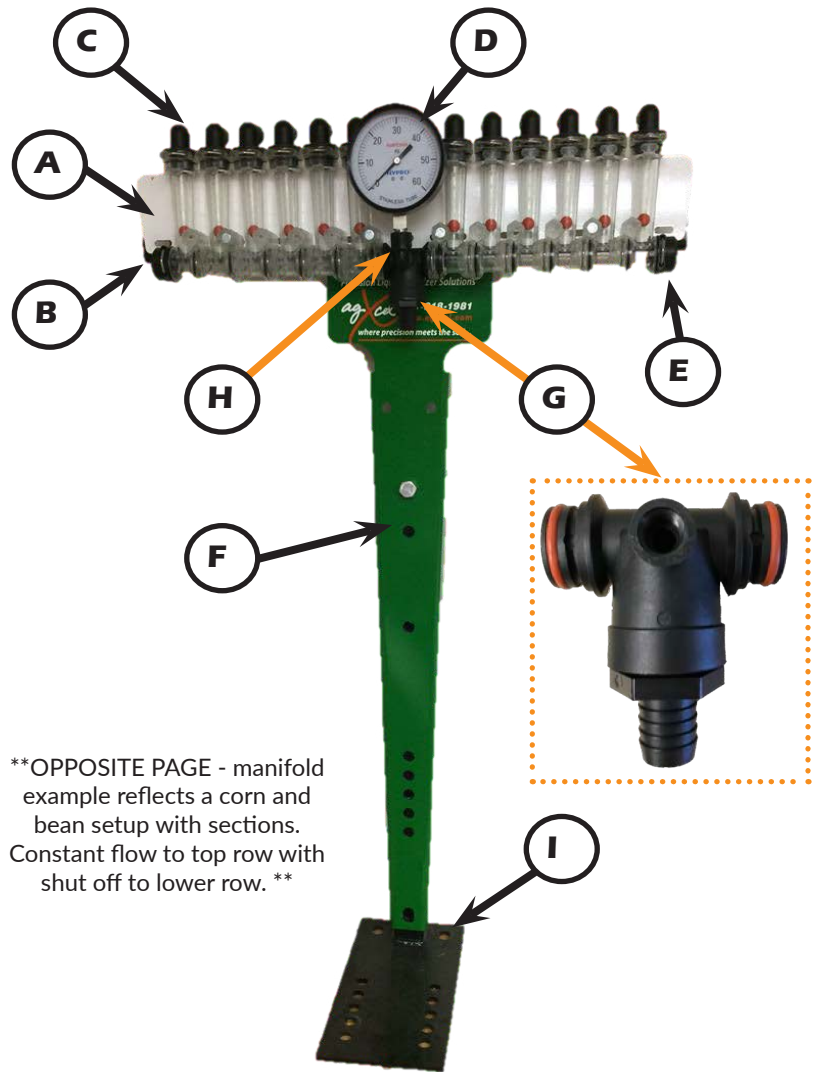


SIGHT COLUMN BRACKETS		
PN#	DESCRIPTION	
A	406	UP TO 6R WHT BACKDROP
	414	UP TO 8R WHT BACKDROP
	20106	UP TO 12R WHT BACKDROP
B	18082	MOUNTING BRACKET FOR PN#406
	18088	MOUNTING BRACKET FOR PN#414
	18083	MOUNTING BRACKET FOR PN#20106
SIGHT COLUMN HARDWARE KIT - PN#38324 One kit is used for mounting up to 12R onto a GX1 chassis (tomahawk) bracket.		

C	25709	1/4" PTC TOP	
	18033	3/8" BARB TOP	
	17655	3/8" PTC TOP	
	370	8MM (5/16")PTC TOP (Special order)	
	25701	1/2" BARB TOP (Special order)	
D	*ONLY ONE GAUGE OPTION INCLUDED IN KIT	33812	160 PSI GAUGE
		33816	60 PSI GAUGE
		53769	60 PSI REMOTE GAUGE KIT
		53770	160 PSI REMOTE GAUGE KIT

E	18039	COLUMN END CAP & CLIP
F	38260	GX1 CHASSIS (TOMAHAWK ONLY)
	54123	GXSWIVEL KIT (NO TOMAHAWK)
	428	GXCHASSIS SWIVEL KIT (COMPLETE)
G	18037	CENTER FEED
	32239	3/4" HOSE SHANK INLET
FEED OPTIONS IF NOT USING CENTER TEE	18034	3/4" HOSE SHANK - ELBOW
	18032	3/4" HOSE SHANK
	25682	LOCK U-CLIP
H	52142	1/4 GAUGE ELBOW
I	53961	GX1 MOUNT AVAILABLE TO RAISE OR MANOEUVRE A CROWDED TOOLBAR

OPTIONAL WEIGHTED BALLS FOR DARKER CHEMICALS	25685	ORANGE CELON BALL
	18081	WHITE CELON BALL
	18092	PINK CELON BALL



\*\*OPPOSITE PAGE - manifold example reflects a corn and bean setup with sections. Constant flow to top row with shut off to lower row. \*\*

COMMON UBOLT(S)	53578	GXUBOLT 7 X 8 1/2" (CASE/JD)
	20329	GXUBOLT 5 X 7 X 1/2"
	17585	GXUBOLT 5 X 8 X 1/2" (KINZIE)
	38446	GXUBOLT 7 X 5 X 1/2"
BOLT KITS	356	1/2" BOLT KIT
	38324	SIGHT COLUMN BOLT KIT
	20095	SWIVEL BOLT KIT
	53705	1/2 SPIN NUT
	37601	5/8 SPIN NUT

PLUMBING	
308	3/4" BLACK HOSE (Use #12 CLAMPS - PN#19646)
19920	1/4" BLACK TUBING
54121	3/8" BLACK TUBING
17614	3/8" BLACK HOSE (Use #6 CLAMPS - PN#17649)
37619	1/2" BLACK HOSE (Use #6 CLAMPS - PN#17649)

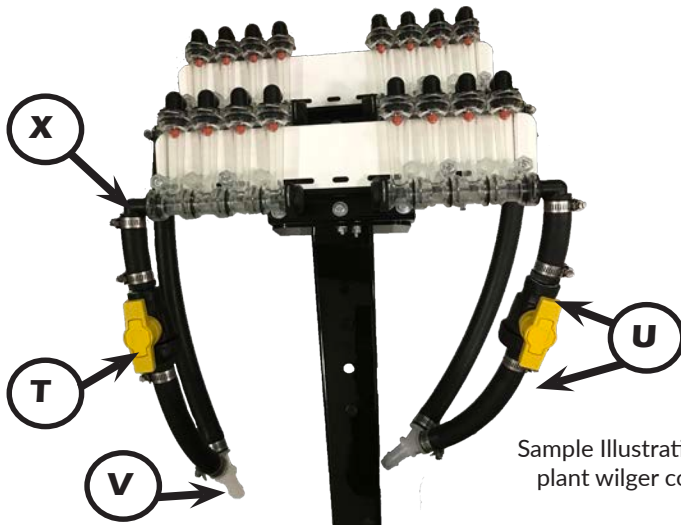


SIGHT COLUMNS		
PN#	DESCRIPTION	
<b>LOW FLOW</b>	25689	Wilger Low Flow Column Only
	25687	Wilger Low Flow Column W/balls, clip, retainer (No Top)
	37617	Wilger Low Flow Complete Column(s) - 4 pack w/ End cap, clips & 1/4QC Tops
	37723	Wilger Low Flow Complete Column(s) - 4 pack w/End cap, clips & 3/8QC Tops
BALL SELECTION FOR 30" ROWS		
1-3 GPA	18077	Green Plastic* Ball
2-4 GPA	18078	Red Plastic* Ball
3-6 GPA	18079	Maroon Glass Ball
5-10 GPA	18080	Stainless Steel Ball
*These balls may float to the top with heavier fertilizers, such as 10-34-0. Use Maroon glass in this case.		

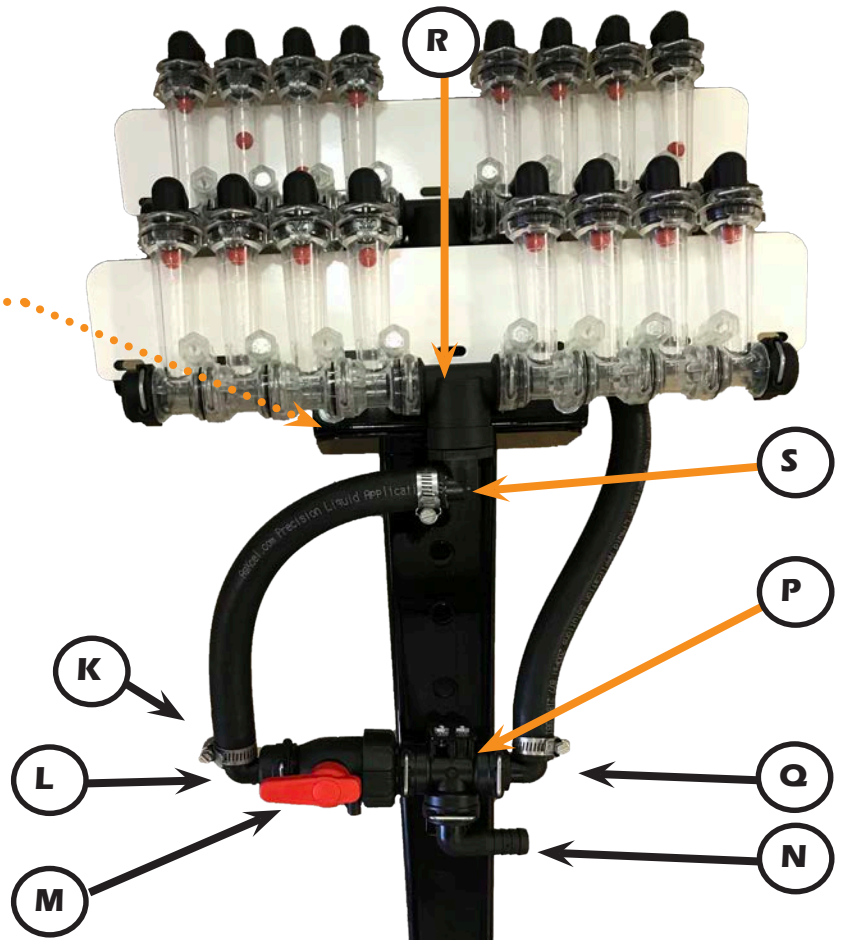
K	19646	SST - #12 CLAMP
L	54662	ELBOW T3F D.20 = 3/4" (QTY 2)
M	54701	2-WAY BALL VALVE T3M
	54674	O RING VITON ( QTY 3)
N	54664	HOSE TAIL T3M D.20 = 3/4"
	54674	O RING VITON
O	54677	FORK FOR T3 FITTINGS

An extended swivel bracket (PN# 54839) allows the flow indicator assembly bracket to mount at an angle and at a distance away from secondary assembly for improved viewing

P	54669	"T" FITTING T3F-T3F-T3F
	17702	T FITTING MOUNTING BRACKET
Q	308	3/4" BLACK HOSE
R	18041	ORS MXMXF TEE
S	18034	3/4" HB ORS ELBOW












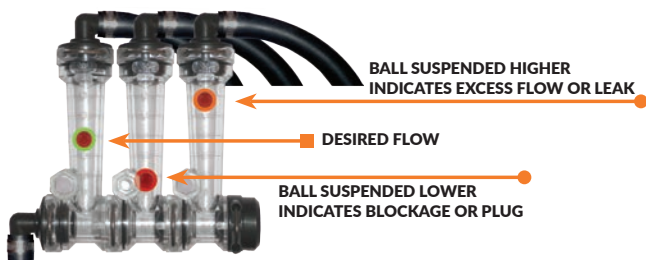
SIGHT COLUMNS		
PN#	DESCRIPTION	
<b>STANDARD FLOW</b>	55153	Wilger Standard Flow Column Only
	20985	Wilger Standard Flow Column W/balls, clip, retainer (No Top)
	37637	Wilger Std Flow Complete Column(s) 4 pack w/ End cap, clips & 3/8 barb Tops
	37724	Wilger Std Flow Complete Column(s) - 4 pack w/End cap, clips & 3/8QC Tops
BALL SELECTION FOR 30" ROWS - STD FLOW		
3-6 GPA	18077	Green Plastic* Ball
3-10 GPA	18078	Red Plastic* Ball
10-20 GPA	18079	Maroon Glass Ball
13-70 GPA	18080	Stainless Steel Ball
*These balls may float to the top with heavier fertilizers, such as 10-34-0. Use Maroon glass in this case.		



T	18000	3/4" 2 WAY BALL VALVE
U	18005	3/4" MPT 3/4" HB
V	18204	3/4" POLY Y FITTING
X	18034	3/4" HB ELBOW

SIGHT COLUMN COMPONENTS		
	PN#	DESCRIPTION
	25709	WILGER TOP 1/4" QC
	25712	TUBE GUIDE 1/4" QC
	18033	3/8" HB TOP - ELBOW
	25701	1/2" HB TOP - ELBOW
	17655	WILGER TOP 3/8" QC
	25718	COLLET 3/8" ONLY
	19898	WILGER TOP 3/8" FNPT
	38260	GX TOMAHAWK Approx. 32.5" Tall
	19992	FKM "O" ring for use between flow columns & on wilger tops
	25686	VITON "O" ring
	32239	3/4" HB INLET (used with center fed tee PN# 18037)
	52142	1/4" POLY ELBOW (used with center fed tee PN# 18037 tee for gauge)
	262	QC3 1/4" QC TO 1/4" QC
	20407	QC15 3/8" QC TO 3/8" QC
	38240	QC7 1/4" QC TO 3/8" QC

SIGHT COLUMN COMPONENTS		
	PN#	DESCRIPTION
	18032	3/4" HOSE SHANK
	56153	1" HOSE SHANK
	18034	3/4" HOSE SHANK - ELBOW
	18039	COLUMN END CAP W/CLIP
	25682	CLIP ONLY
	18082	MOUNTING BRACKET for PN#406
	18088	MOUNTING BRACKET for PN#414
	18083	MOUNTING BRACKET for PN#20106
	406	up to 6R COLUMN BACKDROP (WHT)
	414	up to 8R COLUMN BACKDROP (WHT)
	20106	7 - 12R COLUMN BACKDROP (WHT)
	25687	LF COLUMN w/balls,clip, retainer (no top)
	25689	LF CLEAR COLUMN ONLY (Not shown)
	53496	LF COLUMN ISO Feed w/balls, clip, retainer - (no top)
	20985	STD COLUMN w/balls,clip, retainer (no top)
	55153	STD CLEAR COLUMN ONLY (Not Shown)
	37617	LF COLUMNS - 4 pk 1/4" QC tops w/end cap
	56573	LF COLUMNS - 4 pk 3/8" HB tops w/end cap
	37723	LF COLUMNS - 4 pk 3/8" QC tops w/end cap
	37637	STD COLUMNS - 4 pk 3/8" HB tops w/end cap
	37724	STD COLUMNS - 4 pk 3/8" QC tops w/end cap
	18037	WILGER CENTER FEED TEE  (Add PN# 32239 1" MNPT X 3/4" HB to connect inlet hose Note: for use with a gauge be sure to add PN#52142)
	25681	FLOW COLUMN BALL RETAINER

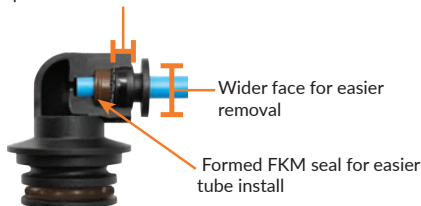


GX6 COMPONENTS		
	PN#	DESCRIPTION
	26330	GX6 10# THRU VALVE BODY (NO CAPS)
	26612	GX6 4# THRU VALVE BODY (NO CAPS)
	25682	LOCK U-CLIP
	26455	COMBO CLIP PLUG
	26427	COMBO CLIP ADAPTER X 3/8" NPT
	25803	VITON DIAPHRAGM
	26410	FKM DIAPHRAGM (NEW STYLE)-
	54044	GX6 MOUNTING BRACKET W/HARDWARE & L BOLT
	38171	RADIAL CAP 1/4"QC
	25953	(components below - not shown)
	25951	O'RING SEAL/STRAINER
	25712	RADIAL CAP OUTER O'RING (FKM)
		WILGER 1/4" TUBE GUIDE (NS)
	54011	3/8 PTC QC DIVIDER "Y"
	54010	1/4 PTC X 3/8 STEM REDUCER (NEED TWO)

GX6 COMPONENTS		
	PN#	DESCRIPTION
	26148	3/4" 2 WAY SHANK
	26149	3/4" 3 WAY SHANK
	26147	3/4" 1 WAY SHANK
	25887	FKM O'RING IN COMBO END ADAPTERS
	26337	GX6 10# END VALVE BODY - NO FLOW THRU (NO CAPS)
	37592	GX6 4# END VALVE BODY - NO FLOW THRU (NO CAPS)
	55005	GX6 DUAL BODY CHECK VALVE (10# -BLK) ASSEMBLED UNIT (pictured)
	55162	GX6 DUAL BODY CHECK VALVE (4# -BLUE) ASSEMBLED UNIT
	20121	1/4" "Y" DIVIDER
	55159	GX6 SINGLE BODY CHECK VALVE (10# - BLK) NO OTHER FITTINGS
	55353	GX6 SINGLE BODY CHECK VALVE (4# - BLUE) NO OTHER FITTINGS

Independent teeth & collet

The 1/4" Push-in tube outlets have received a full redesign for heavier duty sealing and easier release.



\*\* This redesign also applies to the radial lock caps on check valves \*\*

\*\* This redesign also applies to the radial lock caps on check valves \*\*

PLUMBING	
308	3/4" BLACK HOSE (Use #12 CLAMPS - PN#19646)
19920	1/4" BLACK TUBING
54121	3/8" BLACK TUBING
17614	3/8" BLACK HOSE (Use #6 CLAMPS - PN#17649)
37619	1/2" BLACK HOSE (Use #6 CLAMPS - PN#17649)



# GX6

Use 3/4" hose with hose clamps to connect all check valves.

3/4" HB - TEE - Connect to flow meter or optional section valves.

3/8" MPT X 3/4" HB - 90 Degree Used on all end points

Combo-clip F x 3/8" NPTF Adapter - Attaches GX body to bracket

2 way 3/4" HB x 3/8 MPT Tee

GX6 Dual Body

Dual 4 PSI check valves with 1/4" QC caps and 3/8 FPT inlet

Dual metering tube 8ft long

Y Divider - 1/4" QC

**NOTE:**  
blue knob = 4lb check valve  
black knob = 10lb check valve



**DO NOT OVER TIGHTEN!**

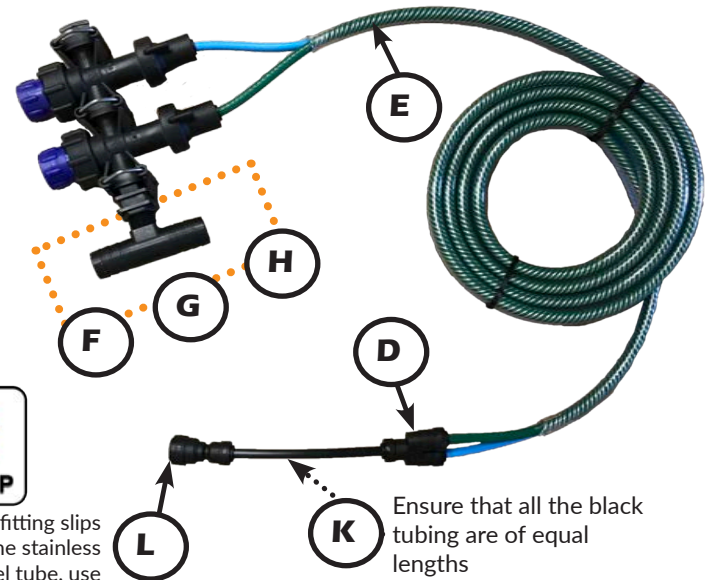
When assembling the elbow and/or tee into the adapter casing of check valve body, be careful. It is easy to over tighten, cracking the casing. If purchased as a complete kit a couple of extra adapter bodies are provided.



GX6 MANIFOLD ASSEMBLY		
A	55162	GX6_DUALBODYCHKVALVE4# (BODY ONLY - NO INLETS)
	55005	GX6_DUALBODYCHKVALVE10# (BODY ONLY - NO INLETS)
B	15	3/4" 3 WAY SHANK
C	26427	WILGER F x 3/8"NPTF ADAPTER
D	20121	1/4" QC DIVIDER
	ALT. OPTION 3/8" OD APPLICATOR	
	54011	3/8" QC DIVIDER
	54010	1/4" X 3/8" REDUCER
E	53654	GX6DUALTUBE8FT (DUAL COMES IN GREEN/SKY ONLY)
	GX6MT MICRO TUBING - SEE CHART OPPOSITE PAGE	
F	26148	3/4" 2 WAY SHANK
G	26147	3/4" HOSE SHANK
H	26149	3/4" 3 WAY SHANK (NOT SHOWN)
I	308	3/4" BLACK HOSE
	19646	SST #12 CLAMPS
J	54044	GX6_1ROW BRACKET KIT
	57093	GXCHECKVALVEMOUNT GX-6 PARRALLEL



If the fitting slips off the stainless steel tube, use sandpaper or a file to roughen the end of the tube slightly.



K	19920	EVA14 - 1/4" TUBING
	54121	EVA38 - 3/8" TUBING
L	262	QC3 = 1/4 PTC TO 1/4 PTC
	38240	QC7 = 3/8 PTC TO 1/4 PTC
	20407	QC15 = 3/8 PTC TO 3/8 PTC



**IF FEEDING YOUR GX6 SYSTEM FROM A FLOATING BALL MANIFOLD**

The inlet to each dual body will be dependant on the outlet on the visual sight columns. For instance, if the outlet is 1/4 QC then you will feed each GX6 dual body with a 1/4" QC inlet that will thread into the GX6 dual check body. Below are our default adapters available for each feed type.

**NOTE:** Add-on kits **DO NOT** include all the components of a full manifold kit. These components will need to be added to complete set up.

METERING TUBES		E
PN#		DESCRIPTION
38233		GX6MT - PINK
38241		GX6MT - YELLOW
38237		GX6MT - GREY
38242		GX6MT - NAVY BLUE
38243		GX6MT - BROWN
38250		GX6MT - SKY BLUE
38251		GX6MT - GREEN
38245		GX6MT - PURPLE
38246		GX6MT - ORANGE
38247		GX6MT - RED
38248		GX6MT - BLACK

**\*DEFAULT INLET ADAPTERS FROM SIGHT GAUGE\***

PN#	DESCRIPTION
20395	QC13 = 1/4" QC TO 3/8" MALE NPTF
54442	QC14 = 1/4" QC TO 3/8" NPTF
54001	QC11 = 3/8 NPTF X 3/8" QC 90°
32264	3/8" MNPT X 3/8" HB POLY
32343	3/8" MNPT X 3/8" HB POLY ELBOW

**ADDING GX6 TO EXISTING WILGERS  
NO BRACKET**

**INCLUDES:**

- Valve body (4# or 10# - Single or Dual)
- Inlet option (1/4 QC, 3/8 QC, 3/8 HB or barb tee)
- End caps
- 1/4 QC flow thru QC Caps

(Does **NOT** include any poly tubing, hose, clamps, valve bracketing or metering tubes)

PN#	DESCRIPTION
54826	1 ROW <b>SINGLE</b> BODY NO BRACKET (4# OR 10# SINGLE VALVE) - ALL INLET TYPES
54475	1 ROW <b>DUAL</b> BODY NO BRACKET (4# OR 10# DUAL VALVE) - ALL INLET TYPES

**CHECK VALVE MOUNTING  
BRACKET OPTIONS**

PN#	DESCRIPTION
57093	GXCHECKVALVEMOUNT GX-6 PARALLELKIT - USED WITH THE GX6 SINGLE OR DUAL BODIES
57092	GXCHECKVALVEMOUNT DUAL-KIT - USED WITH THE STANDARD WILGER CHECK BODIES MOUNTED SIDE BY SIDE
57091	GXCHECKVALVEMOUNT SINGLE KIT - USED WITH A SINGLE WILGER CHECK VALVE BODY
54044	GX6MANIFOLDBKTKIT1PK - TOOLBAR BRACKET FIT FOR A SINGLE FOR GX6 SINGLE OR DUAL BODY CHECKS



**ADDING GX6 TO EXISTING WILGERS  
WITH BRACKET**

**INCLUDES:**

- Valve body (4# or 10# - Single or Dual)
- Inlet option (1/4 QC, 3/8 QC, 3/8 HB or barb tee)
- End caps
- 1/4 QC flow thru QC Caps
- Custom mounting bracket w/hardware kit

(Does **NOT** include any poly tubing, hose, clamps or metering tubes)

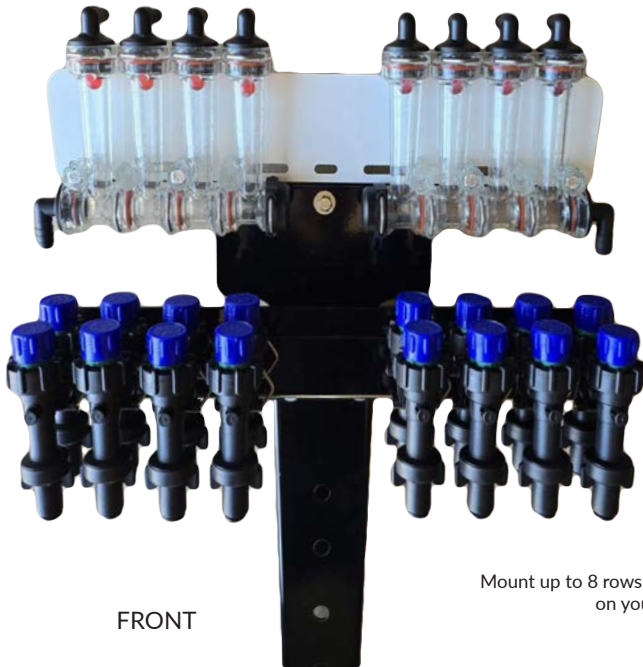
PN#	DESCRIPTION
54476	1 ROW <b>SINGLE</b> BODY WITH TOOLBAR BRACKET (4# OR 10# SINGLE VALVE) - ALL INLET TYPES
53604	1 ROW <b>SINGLE</b> BODY WITH PARALLEL BRACKET (4# OR 10# SINGLE VALVE) - ALL INLET TYPES
53616	1 ROW <b>DUAL</b> BODY WITH TOOLBAR BRACKET (4# OR 10# DUAL VALVE) - ALL INLET TYPES
53617	1 ROW <b>DUAL</b> BODY WITH PARALLEL BRACKET (4# OR 10# DUAL VALVE) - ALL INLET TYPES

**FLEXIBLE MOUNTING OPTIONS**

GX6 manifolds are extremely flexible and can be mounted in many different configurations on various types of liquid implements. The following illustrations will provide some general concepts on how to configure your implement.

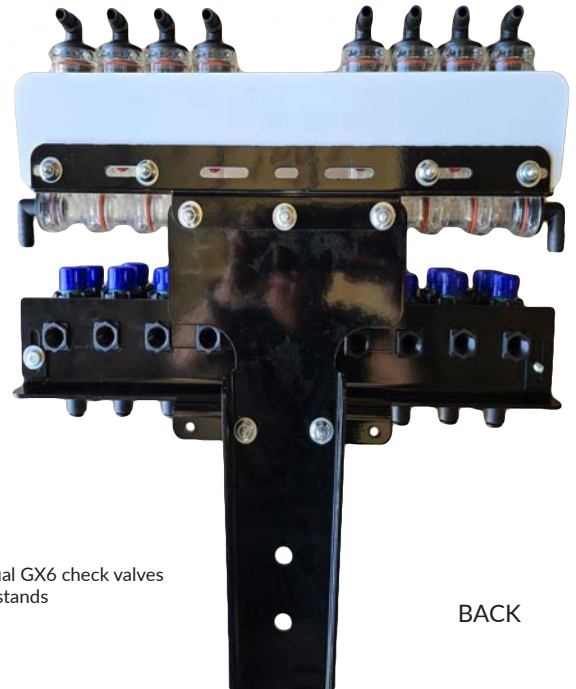
**8ROW BRACKET KIT PN# 57059**

**12ROW BRACKET KIT PN# 57058**



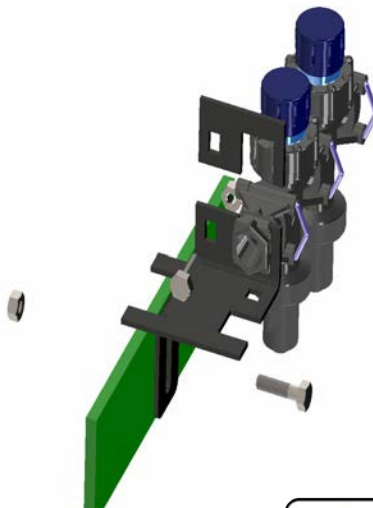
FRONT

Mount up to 8 rows or 12 rows of the dual GX6 check valves on your existing manifold stands



BACK

**GX6 PARALLEL ARM BRACKET KIT PN# 57093**



**GX6 KIT - PN#57093**

SOLD SEPARATELY	WILGER CHECK VALVE STYLE MAY VARY THAN WHAT IS SHOWN. CHECK VALVE IS NOT INCLUDED IN THIS KIT. MOUNTING OPTION ONLY	
	53704	1/4-20 X 3/4 GR5 BOLT QTY 2
HARDWARE	38407	1/4-20 SPIN LOCK NUT QTY 2
	BRACKET	17253



**DO NOT OVER TIGHTEN!**

When assembling the elbow and/or tee into the adapter casing of check valve body, be careful. It is easy to over tighten, cracking the casing. If purchased as a complete kit a couple of extra adapter bodies are provided.

**SINGLE CHECK PARALLEL ARM BRACKET KIT PN# 57091**



SINGLE KIT - PN#57091		
SOLD SEPARATELY	WILGER CHECK VALVE STYLE MAY VARY THAN WHAT IS SHOWN. CHECK VALVE IS NOT INCLUDED IN THIS KIT. MOUNTING OPTION ONLY. NOTE* MAY NOT WORK WITH NON-WILGER CHECKS.	
HARDWARE	53704	1/4-20 X 3/4 GR5 BOLT QTY 2
	38407	1/4-20 SPIN LOCK NUT QTY 2
BRACKET	17250	GXCHKVALVE_MNTBRT (BRKT ONLY)

**AgXcel**  
CALCULATOR



*Our easy to use, orifice and metering tube calculator is available FREE now on the App Store.*



**DUAL CHECK PARALLEL ARM BRACKET KIT PN# 57092**



DUAL KIT - PN#57092		
SOLD SEPARATELY	WILGER CHECK VALVE STYLE MAY VARY THAN WHAT IS SHOWN. CHECK VALVE IS NOT INCLUDED IN THIS KIT. MOUNTING OPTION ONLY. NOTE* MAY NOT WORK WITH NON-WILGER CHECKS.	
HARDWARE	53704	1/4-20 X 3/4 GR5 BOLT QTY 3
	38407	1/4-20 SPIN LOCK NUT QTY 3
BRACKET	17251	GXCHKVALVEDUAL_MNTBRT (BRKT ONLY)

PLUMBING	
308	3/4" BLACK HOSE (Use #12 CLAMPS - PN#19646)
19920	1/4" BLACK TUBING
54121	3/8" BLACK TUBING
17614	3/8" BLACK HOSE (Use #6 CLAMPS - PN#17649)
37619	1/2" BLACK HOSE (Use #6 CLAMPS - PN#17649)

ORS DRILL MANIFOLD		
PN#	DESCRIPTION	
A	18039	END CAP W/CLIP (SEE BELOW)
	25744	FLOW THRU INLET 1/2 FPT (SEE ABOVE)
	32248	1/2" MPT TO 3/4" HB (USED W/#25744)
	13219	3/4" HB STRAIGHT WITH ORS F CLIP
B	18082	UP TO 6R (SIDE FEED) MOUNT BRKT
	18088	UP TO 8R (SIDE FEED) MOUNT BRKT
	18083	UP TO 12R (SIDE FEED) MOUNT BRKT
	18085	UP TO 16R (SIDE FEED) MOUNT BRKT
COLUMN HARDWARE KIT - PN#38324 Hardware kit used for mounting up to 12R		

**ORS WILGER DRILL MANIFOLD**

For applications that do not require visual monitoring, our NEW ORS manifold is a cost effective way to split up and meter flow directly from your feeds to your outlets.

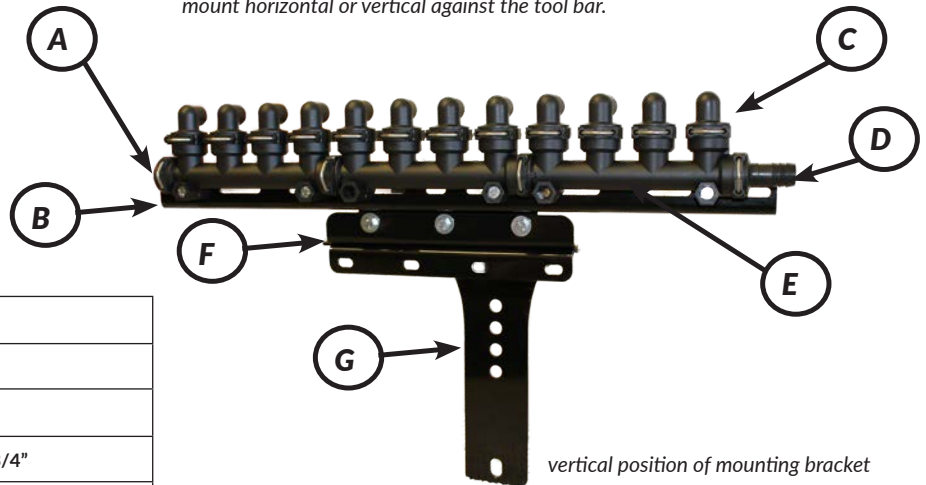
Compatible with all ORS fittings and components.

Easy push pin assembly unlike older PVC style manifolds.

Mounting Bracket is versatile to either mount vertically or horizontally across a tool bar.



Mounting brackets for the ORS manifold are versatile giving the option to mount horizontal or vertical against the tool bar.



C	25709	1/4" PTC TOPS
	18033	3/8" BARB TOPS
	17655	3/8" PTC TOPS
D	18032	WILGER STRAIGHT SHANK 3/4"
	18034	WILGER 90° SHANK 3/4"
	56153	WILGER STRAIGHT SHANK 1"
*OPTIONAL CENTER FEED SETUP - NOT SHOWN*	18037	WILGER FEMALE TEE
	32239	1" MNPT X 3/4" HB POLYPRO
	25737	ORSMxORSMxORSF TEE (USE W/ 'D ABOVE)

E	55666	QRS MANIFOLD BUNA 1P
	55664	QRS MANIFOLD BUNA 2P
	55665	QRS MANIFOLD BUNA 3P
	55400	QRS MANIFOLD BUNA 4P*
F	54499	SADDLE MOUNTING BRKT
G	54498	LOWER ANGLE "SCOOP" BRKT

PLUMBING	
308	3/4" BLACK HOSE (Use #12 CLAMPS - PN#19646)
19920	1/4" BLACK TUBING
54121	3/8" BLACK TUBING
17614	3/8" BLACK HOSE (Use #6 CLAMPS - PN#17649)
37619	1/2" BLACK HOSE (Use #6 CLAMPS - PN#17649)

COMMON UBOLT(S)	53578	GXUBOLT 7 X 8 1/2" (CASE/JD)
	20329	GXUBOLT 5 X 7 X 1/2"
	17585	GXUBOLT 5 X 8 X 1/2" (KINZIE)
	38446	GXUBOLT 7 X 5 X 1/2"
HARDWARE	53705	1/2 SPIN NUT
	38324	MANIFOLD BOLT KIT



NOTE: SPACING IS OFF IF CENTER FED. ORS MANIFOLDS ARE MEANT TO BE SIDE FED INTO THE MANIFOLD OTHERWISE MOUNTING BRACKET MAY NOT HOLD THE INTENDED AMOUNT. FOR EXAMPLE 8R CENTER FED WILL NOT FIT ON THE 8R MOUNTING BRACKET. WILL NEED TO USE A 12R MOUNTING BRACKET INSTEAD

ORS DRILL COMPONENTS		
	PN#	DESCRIPTION
	25709	WILGER TOP 1/4" QC
	25712	TUBE GUIDE 1/4" QC
	18033	3/8" HB TOP - ELBOW
	25701	1/2" HB TOP - ELBOW
	17655	WILGER TOP 3/8" QC
	25718	COLLET 3/8" ONLY
	19898	WILGER TOP 3/8" FNPT
	54498	LOWER ANGLE "SCOOP" BRKT
	19992	FKM "O" ring for use between flow columns & on wilger tops
	25686	VITON "O" ring
	32239	3/4" HB INLET (used with center fed tee PN# 18037)
	52142	1/4" POLY ELBOW (used with center fed tee PN# 18037 tee for gauge)
	262	QC3
	20407	1/4"QC TO 1/4" QC QC15
	38240	3/8" QC TO 3/8" QC QC7 1/4"QC TO 3/8"QC
	55403	QRS MANIFOLD PLUG
	13219	3/4" HB STRAIGHT WITH ORS F CLIP
	37785	GX6 ORS FRONT 4#**
	37784	GX6 ORS FRONT 10#** **SPECIAL ORDER
	37698	ORS CHECK 4#**
	37783	ORS CHECK 10#** **SPECIAL ORDER

ORS DRILL COMPONENTS		
	PN#	DESCRIPTION
	18032	3/4" HOSE SHANK
	56153	1" HOSE SHANK
	18034	3/4" HOSE SHANK - ELBOW
	18039	COLUMN END CAP W/CLIP
	25682	CLIP ONLY
	18082	MOUNTING BRACKET for PN#54499 up to 6r
	18088	MOUNTING BRACKET for PN#54499 up to 8r
	18083	MOUNTING BRACKET for PN#54499 up to 12r
	18085	MOUNTING BRACKET for PN#54499 up to 16r
	54499	SADDLE MOUNTING BRKT TO FASTEN MANIFOLD BRACKET TO SCOOP
	38324	Manifold Bolt Kit (NOT SHOWN)
	55666	QRS MANIFOLD BUNA 1P
	55664	QRS MANIFOLD BUNA 2P
	55665	QRS MANIFOLD BUNA 3P
	55400	QRS MANIFOLD BUNA 4P
	18037	ORS FNPT CENTER FEED TEE (Add PN# 32239 1" MNPT X 3/4"HB to connect inlet hose Note: for use with a gauge be sure to add PN#52142)
	25737	ORS CENTER FEED TEE (Add PN# 18032 1" MNPT X 3/4"HB to connect inlet hose Note: for use with a gauge be sure to add PN#52142)
	25662	POLY 3/4" CROSS

**AGXCEL  
MAGNETIC/TURBINE FLOW METERS**

Serial number, flow meter range and calibration number are all listed on the side label.

A controller that requires a DB8 harness is due to the fact that when inputting the flow meter cal number, some controllers can only input 4 digits. A DB8 harness will take the pulses per gallon and divide it by 8. Giving you a 4 digit cal number.

**NOTE:** To get the cal numbers for Micro-Trak controllers the formula is - Divide by 8, multiply by 2.



**GXORION2**

The Orion2 style Magnetic Flow Meters have a black body casing with an integrated AMP Super seal connector.



**\*\*NOTE:** New updates to controllers can now input 5 digits. The "New" chart reflects this change. However, if you have an older system already using a DB8 cable, use the second chart below for your cal#.

When using a magnetic flow meter one of the harnesses below must be used for the OEM controller to be able to calculate the flow. See charts below.

GXORION2 FLOW CHART									
FLOW RANGE (GPM)	PULSES PER GALLON	JOHN DEERE GS2/GS3 2K LRCM		AG LEADER L1		TRIMBLE		AUTOX SPRAYMATE PLUS	
		DB8 CABLE	CAL#	DB8 CABLE	CAL#	DB8 CABLE	CAL#	DB8 CABLE	CAL#
.08 - 1.6	22710	YES	2839	NO	22710	NO	22710	NO	22710
0.13 - 2.6	22710		2839		22710		22710		
0.3 - 5	11355		1419		11355		11355		
0.6 - 13	4542	4542	4542		4542				
1.3 - 26	2271	2271	2271		2271				
2.6 - 53	1135	1135	1135		1135				

FLOW RANGE (GPM)	PULSES PER GALLON	RAVEN RCM		AG LEADER L2		MUELLER		GX8	
		DB8 CABLE	CAL#	DB8 CABLE	CAL#	DB8 CABLE	CAL#	DB8 CABLE	CAL#
.08 - 1.6	22710	NO	22710	NO	22710	NO	22710	NO	22710
0.13 - 2.6	22710		22710		22710		22710		
0.3 - 5	11355		11355		11355		11355		
0.6 - 13	4542		4542		4542		4542		
1.3 - 26	2271		2271		2271		2271		
2.6 - 53	1135		1135		1135		1135		

WHEN USING A ORION2 FLOW METER ONE OF THE HARNESSSES BELOW MUST BE USED FOR THE OEM CONTROLLER TO BE ABLE TO CALCULATE FLOW. SEE CHART ABOVE

GXORION2/ORION2 PLUS ADAPTER HARNESS PN#53671	GXORION2/ORION2 PLUS DIVIDE BY 8 (DB8) PN#38228
---	---

**NEW**

GXORION2 PLUS FLOW CHART									
FLOW RANGE (GPM)	PULSES PER GALLON	JOHN DEERE GS2/GS3 2K LRCM		AG LEADER L1		TRIMBLE		AUTOX SPRAYMATE PLUS	
		DB8 CABLE	CAL#	DB8 CABLE	CAL#	DB8 CABLE	CAL#	DB8 CABLE	CAL#
0.053 - 5.3	11355	YES	2838	NO	11355	NO	11355	NO	11355
.53 - 53	1135	NO	1135		1135		1135		
2.11 - 211	284		284		284		284		

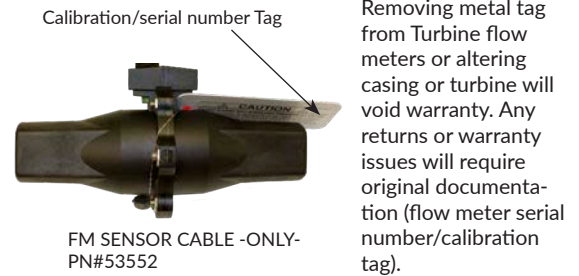
  

FLOW RANGE (GPM)	PULSES PER GALLON	RAVEN RCM		AG LEADER L2		MUELLER		GX8	
		DB8 CABLE	CAL#	DB8 CABLE	CAL#	DB8 CABLE	CAL#	DB8 CABLE	CAL#
0.053 - 5.3	11355	NO	11355	NO	11355	NO	11355	NO	11355
.53 - 53	1135		1135		1135		1135		
2.11 - 211	284		284		284		284		

<b>GX ORION2 MAGNETIC FLOW METER KITS</b>		<b>FLOW METER ONLY</b>
KIT PN#	DESCRIPTION	PN#
54877	GXORION KIT - (0.08 TO 1.6 GPM) W/BACKET & MOUNTING HARDWARE	54250
54876	GXORION KIT - (0.13 TO 2.6 GPM) W/BACKET & MOUNTING HARDWARE	34412
54875	GXORION KIT - (0.3 TO 5 GPM) W/BACKET & MOUNTING HARDWARE	34415
54872	GXORION KIT - (0.6 TO 13 GPM) W/BACKET & MOUNTING HARDWARE	53615
54874	GXORION KIT - (1.3 TO 26 GPM) W/BACKET & MOUNTING HARDWARE	53636
55647	GXORION KIT - (2.6 TO 53 GPM) T5M W/BACKET, MOUNTING HARDWARE & T5 FITTINGS ( 1 1/2" BARBS)	55689

*\*\* See graph on pg. 26 to see if magnetic flow meter requires standard or Divide by 8 Harness (DB8).\*\**

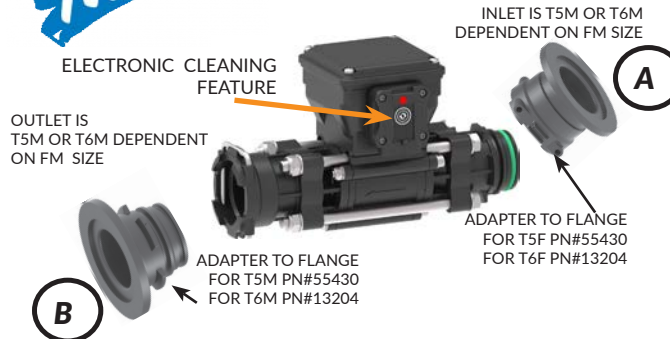
<b>TURBINE FLOW METER</b>		<b>FLOW METER ONLY</b>
KIT PN#	DESCRIPTION	PN#
54870	AGXCEL LF FLOW METER, FM SENSOR CABLE WITH BRACKETING. GFN FLOW METER KIT .5-12 GPM	20309
54871	AGXCEL REG FLOW METER, FM SENSOR CABLE WITH BRACKETING. 2-40 GPM (6-150 LPM) 150	38310



Removing metal tag from Turbine flow meters or altering casing or turbine will void warranty. Any returns or warranty issues will require original documentation (flow meter serial number/calibration tag).

**\*\* WARNING!!** If you disassemble the Turbine flow meter for cleaning be **EXTREMELY CAREFUL** not to damage or alter the turbine or casing for this will **VOID** your warranty **\*\***

**NEW** **GXORION2 PLUS**



**Features:**

- Compatible with high conductivity fluids
- Output only by flowing fluid
- Parts in contact with fluid made of polypropylene and Stainless Steel 316
- Operating status LED
- Electronic cleaning of conductive deposits
- No mechanical moving parts inside the pipe
- Performances independent from fluid density and viscosity
- Low sensitivity to turbulence
- High precision
- Low maintenance

PN#	DESCRIPTION (INLET OPTIONS)
54654	T5FEM 3/4" ELBOW HB
54653	T5FEM 1" ELBOW HB
55636	T5FEM 1.5" ELBOW HB
13226	T6FEM 1" ELBOW HB
13224	T6 FEM 1.5" ELBOW HB
13225	T6 FEM 2" ELBOW HB
13223	T5 FEM ADAPTER TO 1" STD FLANGE* *USE WITH STD M100*** MANIFOLD
56827	T5 FEM ADAPTER TO 2" STD FLANGE* *USE WITH STD M200*** MANIFOLD
13204	T6 FEM ADAPTER TO 2" STD FLANGE* *USE WITH STD M200*** MANIFOLD
13213	T6FEM TO T5FEM ADAPTER

<b>GX ORION2 PLUS MAGNETIC FLOW METER KITS</b>		<b>FLOW METER ONLY</b>
KIT PN#	DESCRIPTION	PN#
13212	GXORION2 PLUS KIT - (0.053 TO 5.3 GPM) W/BACKET & MOUNTING HARDWARE	13209
13213	GXORION2 PLUS KIT - (0.53 TO 53 GPM) W/BACKET & MOUNTING HARDWARE T5M/T5F	13210
13214	GXORION2 PLUS KIT - (2.11 TO 211 GPM) T5M W/BACKET, MOUNTING HARDWARE & T6M/T6F FITTINGS ( 1 1/2" BARBS)	13211

*\*\* See graph on pg. 26 to see if magnetic flow meter requires standard or Divide by 8 Harness (DB8).\*\**

PN#	DESCRIPTION (OUTLET OPTIONS)
54656	T5MALE 3/4" ELBOW HB
54655	T5MALE 1" ELBOW HB
55640	T5MALE 1.5" ELBOW HB
13227	T6MALE 1" ELBOW HB
13228	T6MALE 1.5" ELBOW HB
54700	T5 MALE ADAPTER TO 1" STD FLANGE* *USE WITH STD M100*** MANIFOLD
55430	T5 MALE ADAPTER TO 2" STD FLANGE* *USE WITH STD M200*** MANIFOLD
13222	T6 FEM ADAPTER TO 2" STD FLANGE* *USE WITH STD M200*** MANIFOLD
13229	T6MALE TO T5MALE REDUCE NIPPLE

PN#	DESCRIPTION - MISC
13202	T6 FORK
13201	T6 ORING - VITON
54676	T5 FORK
54675	T5 ORING - VITON

See pg. 29 for optional 1" Flange HB fittings

PN#	DESCRIPTION - MISC
33132	FC100
50016	GASKET FOR FC100
51324	1" FLANGE 1.5" ELBOW HB

**AGXCEL  
ORION 3 FLOW METERS**

**GXORION3**

The Orion 3 is an advanced electromagnetic flowmeter designed for precise management of liquid distribution systems on seeders. It supports multiple flowmeter connections via a CAN-Bus port, facilitating seamless integration into complex agricultural setups. This device ensures accurate monitoring and control of liquid flow, enhancing efficiency and productivity.

**NEW**

Diagnostic LED allows for quick identification of flow and signal issues



FLOW ↑

See layout of kit fittings with options for inlet and outlet. Only the DN17 will need a T3 fitting for direct adaption.

Serial number, flow meter range (DN#) and calibration number are all listed on the side label.



	OFF	The flowmeter is not powered.
	GREEN FLASHER	The flowmeter is waiting to acquire an address on the CAN line to which it is connected.
	GREEN STEADY ON	Presence of STILL liquid inside the flowmeter.
	BLUE STEADY ON	The flowmeter is reading the passage of the liquid inside.
	VIOLET STEADY ON	No liquid has been detected inside the flowmeter.
	WHITE STEADY ON	Cleaning of the reading electrodes in progress.
	RED FLASHER	The error codes are indicated through blinks, which are described in the table on page 10.
	RED STEADY ON	<b>SEVERE ERROR:</b> contact a service center.
	ORANGE BLINKING	Device in bootloader mode for firmware upgrade.
	ORANGE STEADY ON	Device in bootloader mode.

The status indicates the operating status of the device. At startup, during the first 5 seconds, Orion 3 displays its configuration regardless of the presence of an alarm (Green LED Flashing). Each type of blinking (flashing) corresponds to signal as indicated in the table above.

GXORION3 FLOW CHART									
FLOW RANGE (GPM)	PULSES PER GALLON	JOHN DEERE GS2/GS3 2K LRCM		AG LEADER L1		TRIMBLE		AUTOX SPRAYMATE PLUS	
		DB8 CABLE	CAL#	DB8 CABLE	CAL#	DB8 CABLE	CAL#	DB8 CABLE	CAL#
.04 - 1.6 (DN3)	75708	YES	9464	YES	9464	NO	75708	YES	9464
.08 - 3.17 (DN4)	37854		4731		4731		37854		4731
.26 - 10.5 (DN7)	11356		1419		11356		11356		22710
.52 - 21 (DN10)	4542	NO	4542	NO	4542	NO	4542	NO	9084
1.45 - 58 (DN)	2063		2063		2063		2063		4126

FLOW RANGE (GPM)	PULSES PER GALLON	RAVEN RCM		AG LEADER L2		MUELLER		GX8	
		DB8 CABLE	CAL#	DB8 CABLE	CAL#	DB8 CABLE	CAL#	DB8 CABLE	CAL#
.04 - 1.6 (DN3)	75708	YES	9464	YES	9464	NO	75708	YES	9464
.08 - 3.17 (DN4)	37854		4731		4731		37854		4731
.26 - 10.5 (DN7)	11356		1419		11356		11356		22710
.52 - 21 (DN10)	4542	NO	4245	NO	4245	NO	4245	NO	9084
1.45 - 58 (DN17)	2063		2063		2063		2063		4126

WHEN USING A ORION3 FLOW METER ONE OF THE HARNESSES BELOW MUST BE USED FOR THE OEM CONTROLLER TO BE ABLE TO CALCULATE FLOW. SEE CHART ABOVE

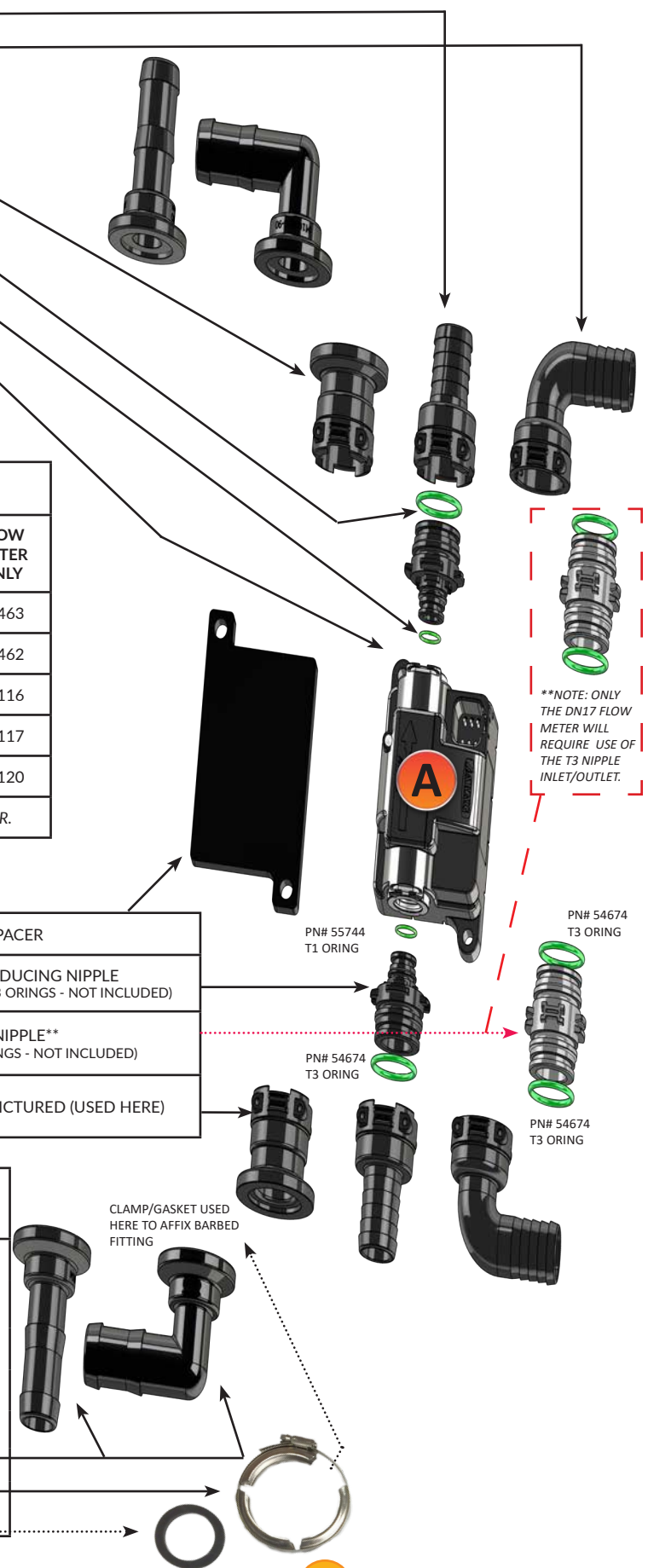
GXORION3 ADAPTER HARNESS PN#13135	GXORION3 DIVIDE BY 8 (DB8) PN#13134
-----------------------------------	-------------------------------------

PN#	DESCRIPTION
54657	T3 3/4" HOSE BARB
54662	T3 3/4" HOSE BARB ELBOW
54658	T3 1" HOSE BARB
54661	T3 1" HOSE BARB ELBOW
13119	1" FLANGE TO T3F FITTING (SEE CHART FOR FLANGE FITTINGS)
54674 574	T3 GASKET VITON T3 GASKET BUNA
55744 571	T1 GASKET VITON T3 GASKET BUNA
55752	T1 FORK - NOT PICTURED

<b>A GXORION FLOW METERS</b>		
KIT PN#	DESCRIPTION	FLOW METER ONLY
13121	GXORION3 0.04 - 1.6 GPM DN3	57463
13122	GXORION3 0.08 - 3.17 GPM DN4	57462
13123	GXORION3 0.26 - 10.5 GPM DN7	13116
13124	GXORION3 0.52 - 21 GPM DN10	13117
13125	GXORION3 1.45 - 58 GPM DN17**	13120
KIT INCLUDES THE INLET/OUTLET ADAPTER FITTINGS AND MOUNTING SPACER.		

13126	SPACER
13118	T1 TO T3 REDUCING NIPPLE (NEED 1 EA OF T1 & T3 ORINGS - NOT INCLUDED)
55214	T3 NIPPLE** (NEED 2 -T3 ORINGS - NOT INCLUDED)
54677	T3 FORK - NOT PICTURED (USED HERE)

PN#	DESCRIPTION	REQUIRES CLAMP & GASKET
51312	1" FLANGE TO 3/4" HOSE BARB	CLAMP = PN#33132 GASKET = PN#50016
38254	1" FLANGE TO 3/4" HOSE BARB ELBOW	
51326	1" FLANGE TO 1" HOSE BARB	
51328	1" FLANGE TO 1" HOSE BARB ELBOW	
51320	1" FLANGE TO 1 1/4" HOSE BARB	
51321	1" FLANGE TO 1 1/4" HOSE BARB ELBOW	
51324	1" FLANGE TO 1 1/2" HOSE BARB ELBOW (NOT AVAILABLE IN A STRAIGHT HB)	



<b>GX SECTION KITS</b>		<i>VALVES ONLY</i>
KIT PN#	DESCRIPTION	PN#
54833	1 SECTION VALVE SWATH KIT - INCLUDES MOUNTING BRACKET, POLY FITTINGS, HARDWARE, STAINLESS HOSE CLAMPS AND 50' OF 3/4 HOSE	54002
54834	2 SECTION VALVE SWATH KIT - INCLUDES MOUNTING BRACKET, POLY FITTINGS, HARDWARE, STAINLESS HOSE CLAMPS AND 50' OF 3/4 HOSE	40406
54835	3 SECTION VALVE SWATH KIT - INCLUDES MOUNTING BRACKET, POLY FITTINGS, HARDWARE, STAINLESS HOSE CLAMPS AND 100' OF 3/4 HOSE	40412
54836	4 SECTION VALVE SWATH KIT - INCLUDES MOUNTING BRACKET, POLY FITTINGS, HARDWARE, STAINLESS HOSE CLAMPS AND 150' OF 3/4 HOSE	40418
54837	5 SECTION VALVE SWATH KIT - INCLUDES MOUNTING BRACKET, POLY FITTINGS, HARDWARE, STAINLESS HOSE CLAMPS AND 150' OF 3/4 HOSE	40421
54838	6 SECTION VALVE SWATH KIT - INCLUDES MOUNTING BRACKET, POLY FITTINGS, HARDWARE, STAINLESS HOSE CLAMPS AND 200' OF 3/4 HOSE	40427

*\*\* Depending on section mounting location, extensions not included in kits above may be necessary. \*\**

<b>MISC HARNESS</b>	
53594	6 SECTION BOOM HARNESS
53800	12 SECTION BOOM HARNESS
20031	TRANSDUCER/SECTION (per boom) EXTENSIONCUSTOM (SOLD BY THE FT)
54097	GXH16PIN10FT
54099	GXH16PIN30FT
54102	GXH16PIN50FT
53839	GXHJD 37PIN 15FT EXTENSION



**\*\* OPTIONAL PRESSURE TRANSDUCER KIT (PN#53491) Available for purchase in place of the gauge \*\***



PN#17693 GX5 Bracket assembly for DB models without compressor.

SECTION MOUNTING BRACKET ONLY - For up to 6 valves.  
PN# 53463



Example above shows section brackets mounted back to back.

Optional ways to mount the sections.

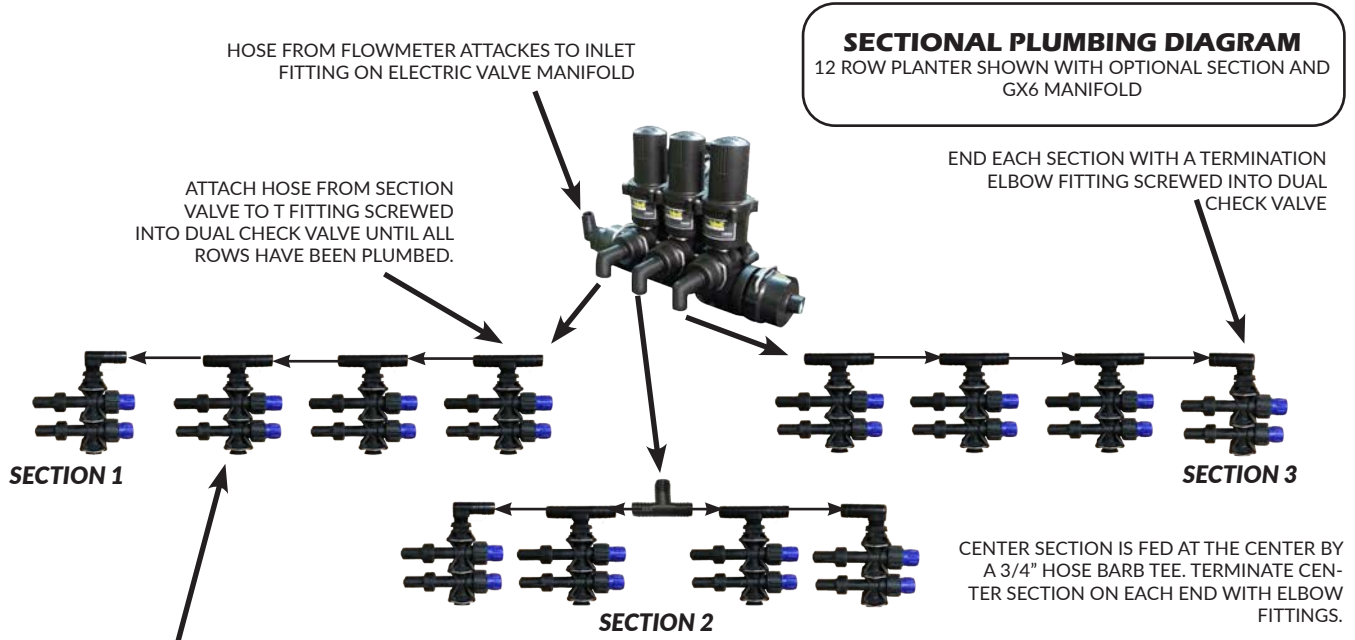


PN#53957 GX5 Bracket assembly for JD 1770 NT Front Fold planter for 24 row planters. This bracket WILL NOT fit DB models.

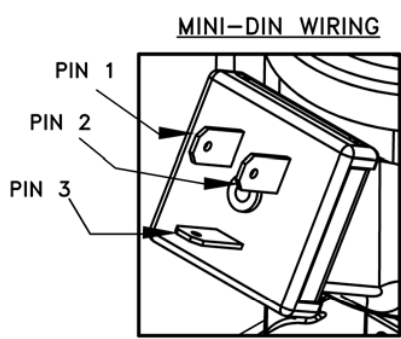
<b>SECTION EXTENSIONS</b>	
56171	GXH_EXT20
56172	GXH_EXT30
56173	GXH_EXT40
56174	GXH_EXT50

Extensions are not included in the base kit. Use PN# 20031 for a custom sized extension.





**SECTIONAL PLUMBING DIAGRAM**  
12 ROW PLANTER SHOWN WITH OPTIONAL SECTION AND GX6 MANIFOLD



**WIRING CHART**

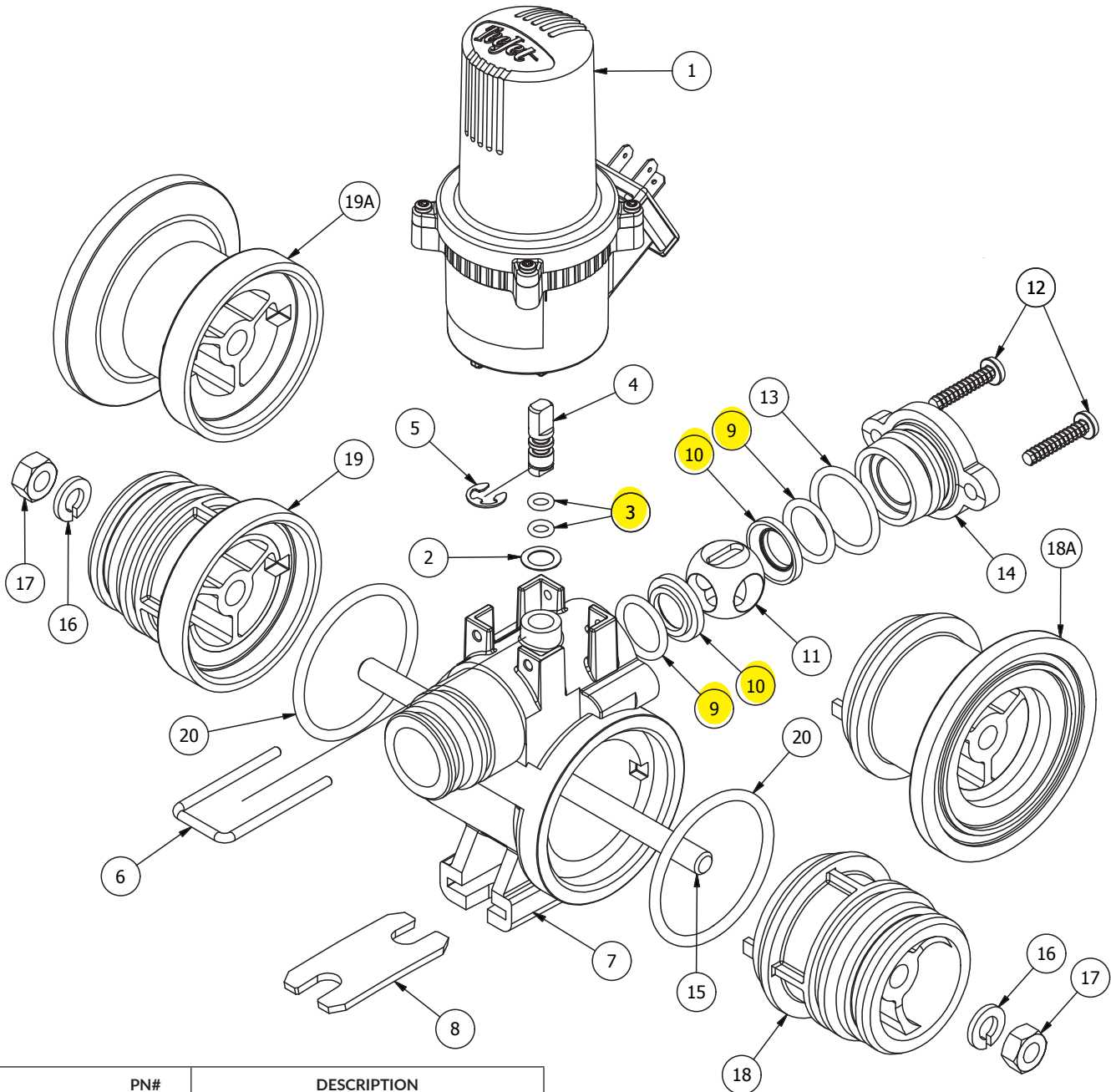
PIN TERMINAL	WIRING "EC"	WIRING "E"
1	(+) POS.	(+) POS.
2	(-) NEG.	(-) NEG.
3	SWITCHING	GROUND

SECTION MISC COMPONENTS		
	PN#	DESCRIPTION
A	40869	3/4" X 90 HOSE BARB OUTLET (STANDARD)
	40868	1/2" X90 HOSE BARB OUTLET
	40867	1" X90 HOSE BARB OUTLET
B	32305	1" MPT X 3/4" HB POLY ELBOW
C	41725	1" X LQC END CAP KIT
	41728	1 1/2" XLQCEND CAP KIT
	41731	1 1/2" FPT LQC END CAP KIT
D	41729	1/4" X LQC END CAP KIT
E*	32361	1/4" HEX PLUG (used if no gauge)
	33816	60 PSI GAUGE (not shown)
	33812	160 PSI GAUGE (not shown)
	52142	1/4" POLY ELBOW (Required for gauge - not shown)
NOT SHOWN	53463	SECTION MOUNTING BRACKET
	13172	SECTION BRACKET EXTENDER (USED SITUATIONALLY)

PLUMBING	
308	3/4" BLACK HOSE (Use #12 CLAMPS - PN#19646)
19920	1/4" BLACK TUBING
54121	3/8" BLACK TUBING
17614	3/8" BLACK HOSE (Use #6 CLAMPS - PN#17649)
37619	1/2" BLACK HOSE (Use #6 CLAMPS - PN#17649)

<b>GX SECTION BREAK OUT</b>		
<b>PN#</b>	<b>DESCRIPTION</b>	<b>ITEM#</b>
41722	430 EC REPLACEMENT MOTOR	1
46087	FLAT WASHER, 302SS	2
46562	O RING, VITON (2 REQ'D)	3
47843	STEM, 303 STAINLESS STEEL	4
46114	E-CLIP RETAINING RING, 17PH STAINLESS STEEL	5
46091	430 MOTOR RETAINING CLIP, 302 STAINLESS STEEL	6
46083	430 VALVE BODY, PP, FOR 430 POLY (BLACK)	7
45826	MOUNTING PLATE, FOR USE ON 430 EC MOTORS	8
46491	"O" RING VITON (2 REQ'D)	9
46086	SEAL, TEFLON(2 REQ'D)	10
46085	2-WAY BALL, 303SS, FOR USE ON 430EC VALVES	11
51313	SCREW, 302 STAINLESS STEEL (2 REQ'D)	12
46498	O-RING,VITON	13
46084	430 2WAY END CAP POLY (BLACK)	14
46105	1 SECTION MANIFOLD CONNECTING ROD, 303 STAINLESS STEEL	15
46106	2 SECTION MANIFOLD CONNECTING ROD, 303 STAINLESS STEEL	
46107	3 SECTION MANIFOLD CONNECTING ROD, 303 STAINLESS STEEL	
46108	4 SECTION MANIFOLD CONNECTING ROD, 303 STAINLESS STEEL	
46109	5 SECTION MANIFOLD CONNECTING ROD, 303 STAINLESS STEEL	
46110	6 SECTION MANIFOLD CONNECTING ROD, 303 STAINLESS STEEL	
*CALL*	** SPECIAL ORDER ITEMS - 7 UP TO 15 SECTION MANIFOLD CONNECTING ROD, 303 STAINLESS STEEL	
46123	M8 SPLIT LOCK WASHER	16
45589	M8X1.25 HEX NUT	17
46088	430 MALE INLET ADAPTER FOR SECTION VALVE POLY (BLACK)	18
46782	75 FLANGE MALE INLET NYLON (BLACK)	18A
46089	430 FEMALE INLET ADAPTER	19
46781	75 FLANGE FEMALE INLET NYLON (BLACK)	19A
46542	O-RING, VITON (2 REQ'D)	20
41735	TWO WAY SUB ASSEMBLY 430 2-WAY SUB ASSY, TEE JET SECTION VALVE BODY SUB ASSEMBLY, INCLUDES ITEMS 2-5, 7-14 ON EXPLODED VIEW.	2-5 7-14
41761	3WR 1.5M MINI-DIN	NOT SHOWN
43143	AB430 430EC PARTS KIT	3,10,9

\*\* For section kits or valves only see chart on pg. 30 \*\*

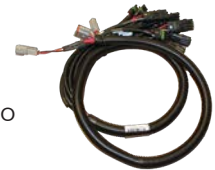
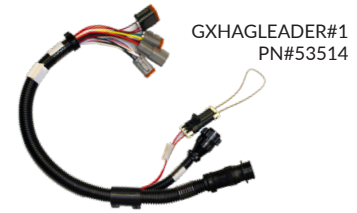


	PN#	DESCRIPTION
A	40869	3/4" X 90 HOSE BARB OUTLET (STANDARD)
	40868	1/2" X90 HOSE BARB OUTLET
	40867	1" X90 HOSE BARB OUTLET
B	32305	1" MPT X 3/4" HB POLY ELBOW
C	41725	1" X LQC END CAP KIT
	41728	1 1/2" XLQCEND CAP KIT
	41731	1 1/2" FPT LQC END CAP KIT
D	41729	1/4" X LQC END CAP KIT
E*	32361	1/4" HEX PLUG (used if no gauge)
	33816	60 PSI GAUGE (not shown)
	33812	160 PSI GAUGE (not shown)
	52142	1/4" POLY ELBOW (Required for gauge - not shown)



<b>AG LEADER INTEGRATION</b>		
	<b>PN#</b>	<b>DESCRIPTION</b>
<b>AG LEADER DIRECT COMMAND INTEGRATION ELECTRIC KIT PN# 53777</b>	53514	GXHAGLEADER#1
	53697	GXHPWMCABLE#2
	18023	40 AMP EPD PWM KIT
	53824	GXIMPLEMENTSWITCH KIT
<b>SECTION VALVE HARNESSSES</b>	53594	6SEC BOOM HARNESS
	53800	12SEC BOOM HARNESS
<b>AG LEADER DIRECT COMMAND INTEGRATION HYDRAULIC KIT PN# 55916</b>	53514	GXHAGLEADER#1
	53697	GXHPWMCABLE#2
	53824	GXIMPLEMENTSWITCH KIT
<b>SECTION VALVE HARNESSSES</b>	53594	6SEC BOOM HARNESS
	53800	12SEC BOOM HARNESS
<b>AG LEADER ISO INTEGRATION ELECTRIC KIT PN# 55740</b>	55695	GXHAGLEADER#1 ISO
	18023	40 AMP EPD PWM KIT
<b>AG LEADER ISO 12 BOOM EXTENSION ONLY - (NOT IN KIT)</b>	55700	12SECTION VALVE HARNESS
<b>AGLEADER ISO INTEGRATION HYDRAULIC PUMP PN#55695</b>	55695	AGLEADER ISO # HARNESS
<b>AG LEADER ISO 12 BOOM EXTENSION ONLY - (NOT IN KIT)</b>	55700	GXH12SECTIONBOOM
<b>AG LEADER L2 INTERGRATION ELECTRIC KIT PN#57396</b>	57372	AG LEADER L2 CONTROL HARNESS
	18023	40 AMP EPD PWM KIT
<b>SECTION VALVE HARNESS</b>	57373	AGLEADER L2 12 SEC HARNESS
<b>AG LEADER L2 INTERGRATION HYDRAULIC KIT PN#57372</b>	57372	AGLEADER L2 CONTROL HARNESS
	57373	AGLEADER L2 12SEC HARNESS
<b>INTEGRATION EXTENSIONS ONLY AVAILABLE FOR DIRECT COMMAND LIQUID CONTROLLERS</b>	54097	GXH16PIN10FT
	54099	GXH16PIN30FT
	54102	GXH16PIN50FT

**\*\* CUSTOMER MUST PROVIDE LIQUID RATE CONTROLLER \*\***



<b>PWM POWER EXTENSIONS</b>	18121	10 FT
	53665	20 FT
	53666	30 FT
	53668	40 FT
	19631	50 FT
	53670	60 FT

**PWM EPD DRIVER KIT**  
PN#18023  
INCLUDES BATTERY HARNESS



**PWM EPD DRIVER ONLY**  
PN#55460



<b>JOHN DEERE INTEGRATION</b>		
	<b>PN#</b>	<b>DESCRIPTION</b>
JD GS1/GS2 INTEGRATION ELECTRIC KIT PN# 53760	53593	GXHGS2/GS3#1
	53697	GXHPWMCABLE#2
	18023	40 AMP EPD PWM KIT
JD GS1/GS2 INTEGRATION HYDRAULIC KIT PN# 54335	53593	GXHGS2/GS3#1
	53697	GXHPWMCABLE#2
SECTION VALVE HARNESSSES	53594	6SEC BOOM HARNESS
	53800	12SEC BOOM HARNESS
INTEGRATION EXTENSIONS	54097	GXH16PIN10FT
	54099	GXH16PIN30FT
	54102	GXH16PIN50FT
	53839	GXHGS2/GS3 -37PIN15FT
JD2K - LRCM DUAL PRODUCT HARNESS	55457	GXHJD20002PROD

**\*\* CUSTOMER MUST PROVIDE LIQUID RATE CONTROLLER \*\***



GXHGS2/GS3#1  
PN#53593



GXHPWMCABLE#2  
PN#53697



GXHJD2K 2PROD  
PN#55457



GXHJD2K 2PROD  
PN#55457

GXHGS2/GS3#1  
PN#53593

GXHGS2/GS3#1  
PN#53593

GXHPWMCABLE#2  
PN#53697

GXHPWMCABLE#2  
PN#53697

*This is an example of a 2 product JD2000 LRCM harness setup with a #2 (PN#53697)*



GXIMPLEMENTS SWITCH KIT FOR JDEERE  
PN#53982 (FOR PARTS SEE PG. 43)



GXHJD2K 2PROD  
PN#55457

6SECBOOM HARNESS  
PN#53594

6SECBOOM HARNESS  
PN#53594

GXHPWMCABLE#2  
PN#53697

GXHPWMCABLE#2  
PN#53697

*This is an example of a 2 product JD2000 LRCM harness setup with a #2 (PN#53697) - control harness plus section harnesses.*



TRIMBLE INTEGRATION		
	PN#	DESCRIPTION
TRIMBLE INTEGRATION ELECTRIC KIT PN# 53775	53519	GXHTRIMBLE#1
	53697	GXHPWMCABLE#2
	18023	PWM EPD DRIVER
	53824	GXIMPLEMENTSWITCH KIT
TRIMBLE INTEGRATION HYDRAULIC KIT PN# 53840	53519	GXHTRIMBLE#1
	53697	GXHPWMCABLE#2
	53824	GXIMPLEMENTSWITCH KIT
INTEGRATION EXTENSIONS	54097	GXH16PIN10FT
	54099	GXH16PIN30FT
	54102	GXH16PIN50FT
SECTION VALVE HARNESS	53594	6SEC BOOM HARNESS
	53800	12SEC BOOM HARNESS



GXHTRIMBLE#1  
PN#53519



GXHPWMCABLE#2  
PN#53697

**\*\* CUSTOMER MUST PROVIDE LIQUID RATE CONTROLLER \*\***



GXIMPLEMENTSWITCH KIT  
PN#53824 (FOR PARTS SEE PG. 43)

PWM EPD DRIVER KIT  
PN#18023  
INCLUDES BATTERY HARNESS



PWM BATTERY HARNESS - ONLY  
PN#17871



PWM EPD DRIVER ONLY  
PN#55460



SINGLE PUMP PWM  
ADAPTER  
PN#398



DUAL PUMP PWM "Y"  
PN#18112

PWM POWER EXTENSIONS	18121	10 FT
	53665	20 FT
	53666	30 FT
	53668	40 FT
	19631	50 FT
	53670	60 FT

<b>CASE INTEGRATION</b>		
	<b>PN#</b>	<b>DESCRIPTION</b>
CASE PRO 700 INTEGRATION ELECTRIC KIT PN# 53811	55209	GXHCASE#1
	53697	GXHPWMCABLE#2
	18023	PWM EPD DRIVER
CASE PRO 700 INTEGRATION HYDRAULIC KIT PN# 56409	55209	GXHCASE#1
	53697	GXHPWMCABLE#2
CASE UCM INTEGRATION ELECTRIC PUMP KIT PN# 13155	55402	GXHCASEUCM #1Y HARNESS
	53697	GXHPWMCABLE#2
	18023	PWM EPD DRIVER
	53491	PRESSURE TRANSDUCER KIT
	53594	6SEC BOOM HARNESS
CASE UCM INTEGRATION HYDRAULIC PUMP KIT PN# 13156	55402	GXHCASEUCM #1Y HARNESS
	53697	GXHPWMCABLE#2
	53491	PRESSURE TRANSDUCER KIT
	53594	6SEC BOOM HARNESS
INTEGRATION EXTENSIONS	54097	GXH16PIN10FT
	54099	GXH16PIN30FT
	54102	GXH16PIN50FT



**\*\* CUSTOMER MUST PROVIDE LIQUID RATE CONTROLLER \*\***

GXHPWMCABLE#2  
PN#53697



SINGLE PUMP PWM  
ADAPTER  
PN#398



PWM EPD DRIVER KIT  
PN#18023  
INCLUDES BATTERY HARNESS



DUAL PUMP PWM "Y"  
PN#18112



PWM BATTERY HARNESS - ONLY  
PN#17871



PWM POWER EXTENSIONS	18121	10 FT
	53665	20 FT
	53666	30 FT
	53668	40 FT
	19631	50 FT
	53670	60 FT

AUTOX COMPACT CONTROLLER INTEGRATION KIT		
	PN#	DESCRIPTION
AUTOX COMPACT ELECTRIC KIT PN# 54865	37218	AUTOX COMPACT KIT
	53824	GXIMPSWITCH KIT
	18023	40 AMP EPD PWM KIT
	20155	GPS SPEED SENSOR
AUTOX COMPACT HYDRAULIC KIT PN# 55061	37218	AUTOX COMPACT KIT
	53824	GXIMPSWITCH KIT
	20155	GPS SPEED SENSOR
INTEGRATION EXTENSIONS	53607	10PIN - 10FT
	53608	10PIN - 15 FT (Special order)
	53609	10PIN - 20FT
	53610	10PIN - 25FT (Special order)
	54321	10PIN - 30FT
	54320	10PIN - 40FT
	53520	10PIN - 50FT

INTEGRATION CONTROLLER KIT(S)		
	PN#	DESCRIPTION
DUAL RATE KING KIT PN# 56407	37671	DUAL RATE KING
	53824	GXIMPSWITCH KIT
	20155	GPS SPEED SENSOR
RATE KING PLUS +5 BOOM KIT PN#56408	37662	RATE KING PLUS
	53824	GXIMPSWITCH KIT
	20155	GPS SPEED SENSOR
<b>** PWM NOT INCLUDED IN KITS ABOVE **</b>		
INTEGRATION EXTENSIONS	53608	10PIN - 15 FT (Special order)
	53609	10PIN - 20FT
	53610	10PIN - 25FT (Special order)
	54321	10PIN - 30FT
	54320	10PIN - 40FT
	53520	10PIN - 50FT
	SITUATIONAL HARNESSING	54399
54396		7 PIN PARALLEL BOOM Y CABLE KIT
17184		CHANNEL 2 LIQUID HARNESS
20552		Y SPLITTER DAUL RATE KING
17873		STANDARD EPD DRIVER KIT
53637		PWM BAT ADAPTER CABLE



GPS SPEED SENSOR  
PN#20155



GXIMPLEMENTSWITCH KIT  
PN#53824 (See pg. 43)



AUTOX COMPACT BASE KIT  
PN#37218 \*\*



<b>**AUTOX COMPACT CONTROLLER KIT ONLY</b>		
	PN#	DESCRIPTION
AUTOX COMPACT CONTROLLER BASE KIT PN# 37218	17698	10 PIN MAIN HARNESS
	37217	CONSOLE ONLY **
	<b>** Console only - Is NOT available for individual sale. Must purchase as a kit</b>	
	53607	10 PIN 10FT EXT HD (Special order)
	225	20' FUSED BAT CABLE
	55179	PRESSURE SENSOR CABLE
	38378	CONSOLE MOUNT KIT
	18104	RUN/HOLD SWITCH
	18103	ON/OFF SWITCH
	53556	2 WIRE MALE ADAPTER

**\*\* IMPORTANT:** AutoX Controller, Dual Rate King, and Rate King Plus battery cable must be connected directly to the battery. Any alteration will void warranty\*\*



INFORMATION ONLY

AgXcel is excited to announce its latest innovative product with the release of its new GX9i PWM EPD Driver. After years of design, development and customer feedback AgXcel has developed a state of the art driver that can handle even the harshest demands and environments in controlling its line of precision liquid application solutions. The on-board circuit technology can intelligently manage system resources which enables high demanding performance when controlling 12v electric pump(s). The durability of this EMD is far superior than any EMD on the market today.

**- LED Status -**

**Multiple LED's that enable enhanced monitoring and troubleshooting**

**GREEN** - Power indicator that can alert when 12v is present or when voltage has dropped below superior performance levels

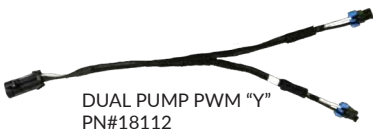
**BLUE** - Complete monitoring of EMD PWM signal informing user of proper signal strength and appropriate duty cycle

**YELLOW** - Temperature control module that protects the unit from current spikes or high current heat

**RED** - Management and monitoring of motor current. This enhancement allows for proper circuit current for electric motors

**ORANGE** - Intelligently monitors the appropriate voltage to electric pumps and closely monitors pump(s) performance





DUAL PUMP PWM "Y"  
PN#18112



SINGLE PUMP PWM ADAPTER  
PN#398

PWM BATTERY HARNESS - ONLY  
PN#17871



40 AMP PWM KIT  
PN#18023  
INCLUDES BATTERY HARNESS

PWM POWER EXTENSIONS	18121	10 FT
	53665	20 FT
	53666	30 FT
	53668	40 FT
	19631	50 FT
	53670	60 FT

PWM EPD DRIVER ONLY  
PN#55460



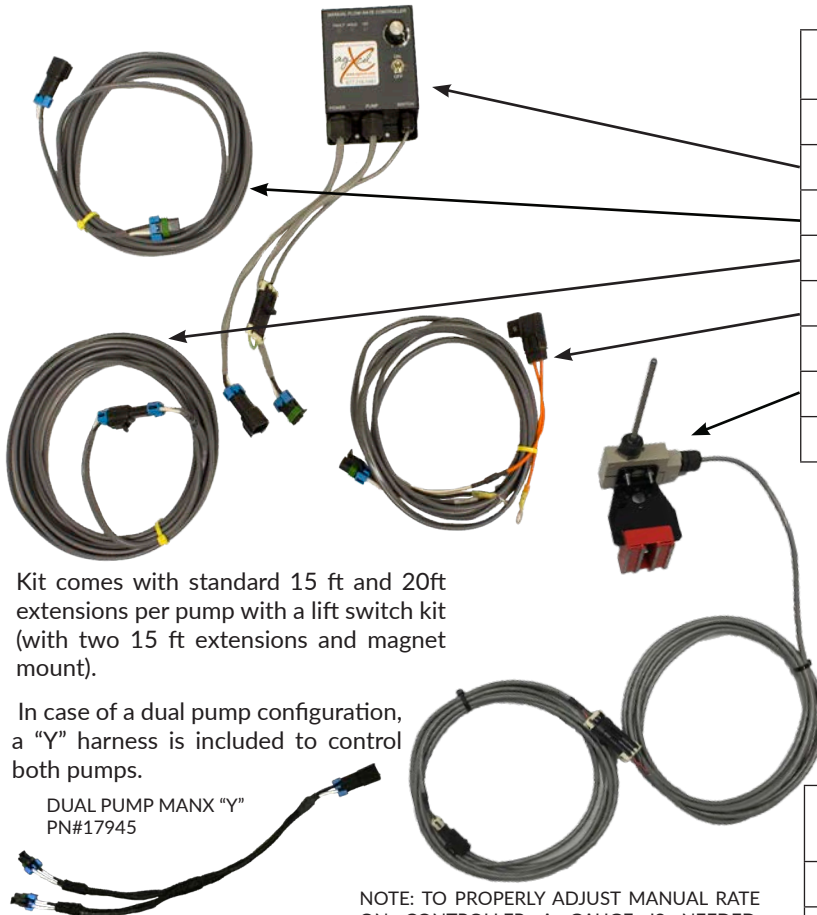
PWM EXTENSION HARNESS CONNECTIONS		
	PN#	DESCRIPTION
	317	SHROUD CONNECTOR
	20081	TPA FITTING (BLACK COVER)
	319	MALE TERMINAL
	20084	PURPLE CABLE SEAL
	17611	10GA WIRE (NOT SHOWN)
	318	FEMALE CONNECTOR
	20081	TPA FITTING (BLACK COVER)
	320	FEMALE TERMINAL

**SINGLE PUMP PN# 563**

**DUAL PUMP PN# 564**

**OPTIONAL:  
MANUAL RATE CONTROL KIT WITHOUT  
LIFT SWITCH**

**SINGLE PUMP PN# 448 DUAL PUMP PN# 447**



Kit comes with standard 15 ft and 20ft extensions per pump with a lift switch kit (with two 15 ft extensions and magnet mount).

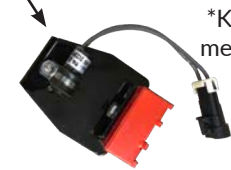
In case of a dual pump configuration, a "Y" harness is included to control both pumps.

DUAL PUMP MANX "Y"  
PN#17945

NOTE: TO PROPERLY ADJUST MANUAL RATE ON CONTROLLER A GAUGE IS NEEDED. GAUGE KIT IS NOT INCLUDED SO ADD EITHER

**60 PSI KIT PN# 53769**  
**160 PSI KIT PN# 53770**

MANX CONTROL KIT SINGLE PN#563		
PN#	ITEM	QTY
17934	MANX CONTROLLER	1
18113	15 FT EXTENSION	1
53660	20 FT EXTENSION	1
17944	15FT BATTERY CABLE 30AMP FUSE	1
ONLY 1 KIT BELOW WILL BE INCLUDED (see pg 43)		
53824*	RUN/HOLD KIT*	1
54066*	MERCURY SWITCH KIT*	1



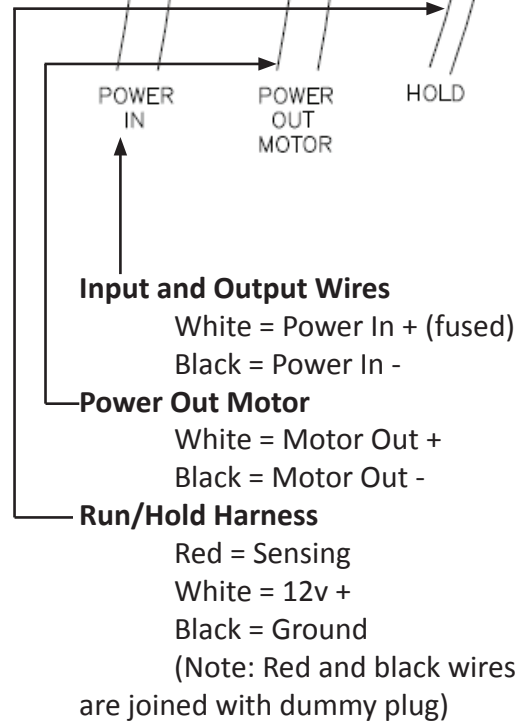
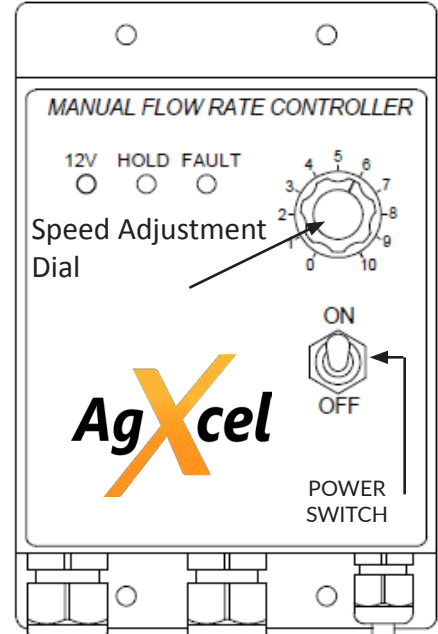
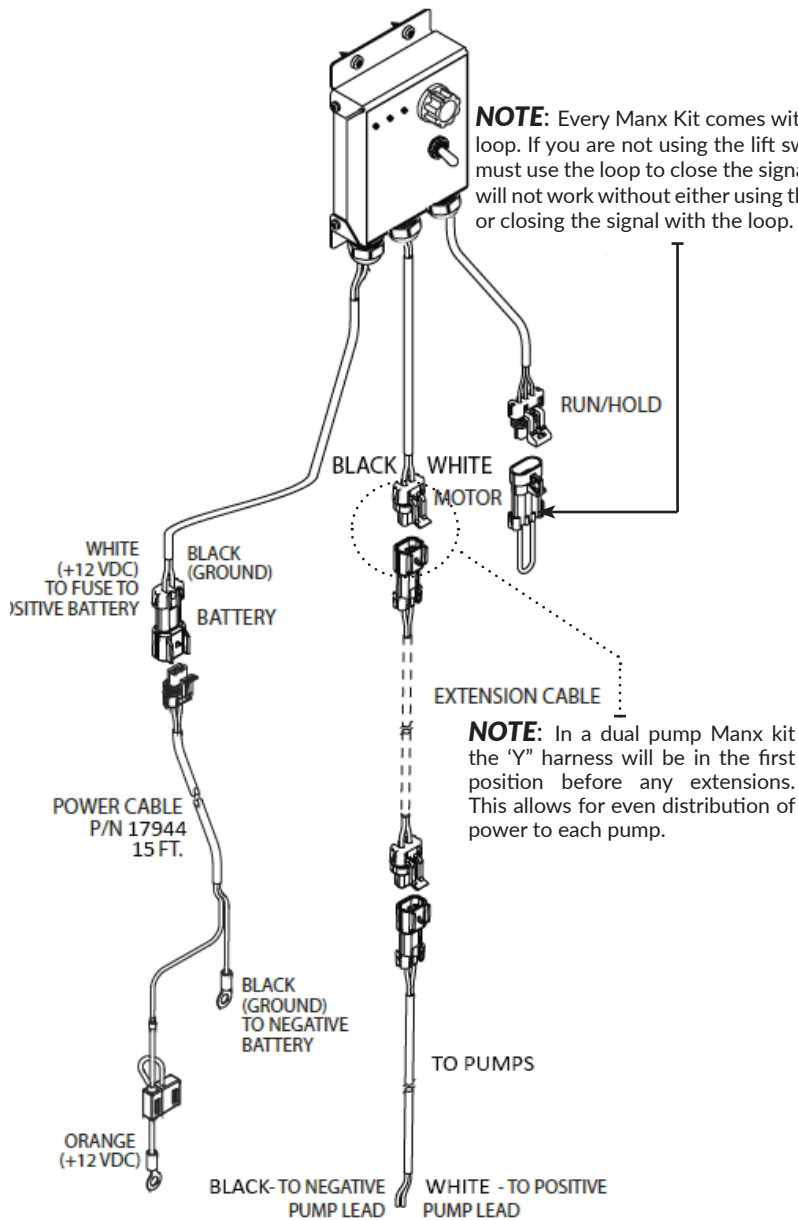
\*Kits will come with either a mercury or implement switch kit.

MANX CONTROL KIT DUAL PN#564		
PN#	ITEM	QTY
17934	MANX CONTROLLER	1
18113	15 FT EXTENSION	2
53660	20 FT EXTENSION	2
17944	15FT BATTERY CABLE 30AMP FUSE	1
17945	"Y" PUMP CABLE	1
ONLY 1 KIT BELOW WILL BE INCLUDED* (see pg. 43)		
53824*	RUN/HOLD KIT*	1
54066*	MERCURY SWITCH KIT*	1

MANX EXTENSION HARNESS CONNECTIONS		
	PN#	DESCRIPTION
	17645	SHROUD CONNECTOR
	20805	TPA FITTING (BLUE COVER)
	17612	MALE TERMINAL
	20805	BLUE CABLE SEAL
	17631	12GA WIRE (NOT SHOWN)
	20829	FEMALE CONNECTOR GREEN METRI PACK
	20805	TPA FITTING (BLUE COVER)
	17613	FEMALE TERMINAL

**FEATURES:**

- Rheostat manual speed control w/1yr warranty for 12-volt pumps
- 6" wiring for power input and output for motor standard
- Sealed heavy-duty electrical connectors
- Reverse polarity protection
- On/Off control switch with power indicator lamp
- Smoother adjustment of pump flow/pressure, which results in reduced sensitivity at the top of the adjustment scale
- Run/Hold circuit on 35 amp units
- Control mounted hardware included



AVAILABLE EXTENSIONS	
PN#	ITEM
17939	5 FT EXTENSION
17958	10 FT EXTENSION
18113	15 FT EXTENSION
53660	20 FT EXTENSION
53661	30 FT EXTENSION
53662	40 FT EXTENSION
19630	50 FT EXTENSION
53663	60 FT EXTENSION



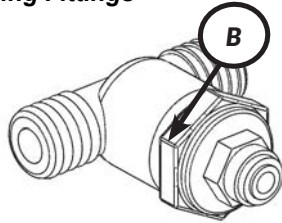
**\*\* BATTERY (POWER) CABLE MUST BE CONNECTED DIRECTLY TO BATTERY. ANY ALTERATION WILL VOID WARRANTY.\*\***

**GX REMOTE GAUGE KIT**

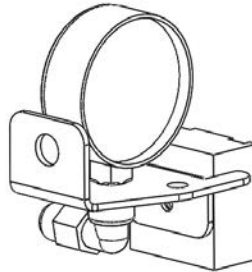
60 PSI - ELECTRIC SYSTEMS PN# 53769

160 PSI - HYDRAULIC SYSTEMS PN# 53770

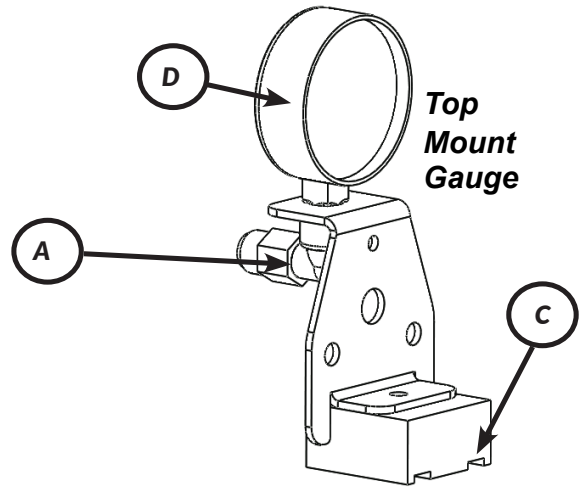
Pressure Tap Plumbing Fittings



Side Mount Gauge



Top Mount Gauge



KIT COMPONENTS		
PN#		DESCRIPTION
A	168	QC9
B	20340	IN LINE ILG TEE
C	17960	MAGNET MOUNT
NOT SHOWN	19646	#12 SST CLAMPS QTY=2
ONLY 1 GAUGE PER KIT	33816	4" 60 PSI GAUGE
	33812	4" 160 PSI GAUGE

**GAUGE KIT INSTALLATION INSTRUCTIONS:**

1. Install in line tee with 1/4" quick connect between final filter and before manifold.
2. Use 1/4" tubing to plumb the gauge and use the magnetic mount to place gauge where desired.
3. For automated systems, ensure that the gauge kit tee is installed at least 24" after the flow meter but before the manifold.



**AGXCEL PRESSURE TRANSDUCER KIT**

P/N# 53491

The sensor for the rate controller is a 3-wire type sensor. The Sensor has a 1/4" MPT M12 fitting.

Your display will show the system pressure on the in cab screen. The pressure reading is only for informational purposes and is not used in the flow control process. Flow control uses the flow meter feedback only.

The pressure transducer is factory calibrated and will display a very accurate pressure reading on your display. No manual gauge is required. However, a remote gauge will be helpful for quick reference when standing near the system and not in cab to see controller display.

When attaching connector to pressure sensor, make sure pins are aligned so they do not bend damaging unit.



TRANSDUCER KIT - PN#53491		
53490	PRESSURE TRANSDUCER	1
53493	TRANSDUCER M12 CABLE	1

PRESSURE TRANSDUCER

CALIBRATION NUMBERS PER OEM	
AG LEADER PRESSURE CALIBRATION	50 mv/psi
GREEN STAR PRESSURE CALIBRATION	50 mv/psi
TRIMBLE PRESSURE CALIBRATION	Consult Trimble User's Manual

**E** INFO@AGXCEL.COM

**P** 877.218.1981

**W** WWW.AGXCEL.COM

**GX IMPLEMENT SWITCH KIT**

**PN# 53824**

**PN# 53982 (2 PIN - JOHN DEERE)**

**KIT INCLUDES:**

- 1- 15FT Extension (John Deere *or* 3pin connector)
- 1- Implement Switch with 15FT Lead (PN# 17921)
- 1- Magnet Mount (PN# 17960)

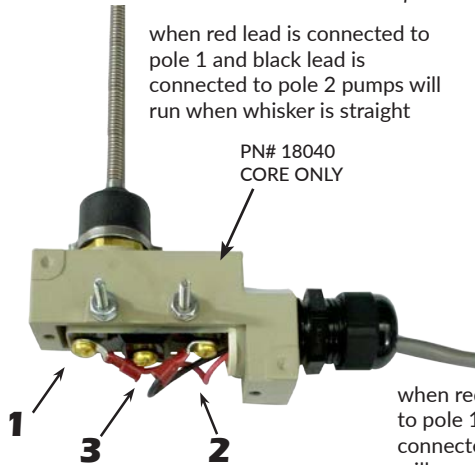


WHISKER EXT. HARNESS (3pin) CONNECT		
	PN#	DESCRIPTION
	365	SHROUD CONNECTOR
	369	TPA FITTING (BLACK COVER)
	363	MALE TERMINAL
	359	RED CABLE SEAL
	54104	3WIRE (NOT SHOWN)
	368	FEMALE CONNECTOR
	369	TPA FITTING (BLACK COVER)
	364	FEMALE TERMINAL

**IMPLEMENT SWITCH KIT:**

1. Run/Hold optional connections (If not using be sure to use provided loop to close circuit)
  - For use with a N.O. (normally open) whisker switch, remove the dummy plug and connect to your run/hold switch wires. A smaller gauge wire (18 AWG minimum) may be used for this low current circuit.
  - For use with a hall-effect sensor, remove the dummy plug and attach the plug from your sensor.

*Illustration shown has a 3pin connector.*



when red lead is connected to pole 1 and black lead is connected to pole 2 pumps will run when whisker is straight

**HOW IT WORKS:**

Place the whisker switch on a 3 point arm or wheel frame that changes angle as the implement is raised and lowered. When the whisker arm is bent up (against the tool bar), the switch is open placing the SYSTEM in HOLD, not applying fertilizer.

When the whisker arm is straight (not touching the toolbar), the switch will be closed.

when red lead is connected to pole 1 and black lead is connected to pole 3 pumps will run when whisker is bent

EXTENSIONS AVAILABLE		
3PIN	2PIN	DESCRIPTION
17924	55917	GXH_EXT 15FT
54073	55415	GXH_EXT 30FT

\*Custom extension lengths can be special ordered - contact SALES for a price quote\*

\* The Whisker switch will work with many other controllers. However, the polarity might be reversed from the positions described above.

**MERCURY SWITCH KIT (PN#54066)**

**(JD DEERE 2-PIN PN#54112)**

Run/Hold optional connection (If not using be sure to use provided loop to close circuit)

**KIT INCLUDES:**

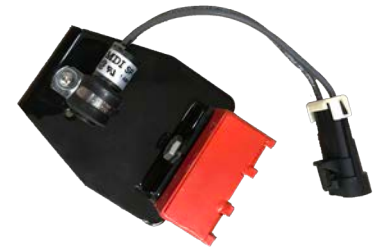
- 2- 15FT Extension(s) (John Deere *or* 3pin connector)
- 1- Mercury Switch (PN# 54024 - Switch only - )
- 1- Magnet Mount (PN# 17960)

**HOW TO ADJUST:**

If your controller is turning off product application before or after you want, tilt the switch. If it turns off after you want when lifting the implement, tip more to the HOLD position. If product application should begin sooner when you lower the implement, tip more to the RUN position.

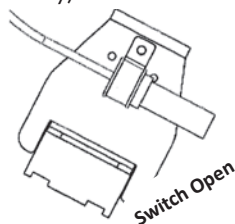
**HOW TO TEST:**

To test the run/hold mercury switch you will need a volt meter. Set the meter to test continuity (or ohms). With the wires down, you should have continuity between the two pins in the connector. With the wires up, the switch should be open (no continuity).



EXTENSIONS AVAILABLE		
3PIN	2PIN	DESCRIPTION
17924	55917	GXH_EXT 15FT
54073	55415	GXH_EXT 30FT

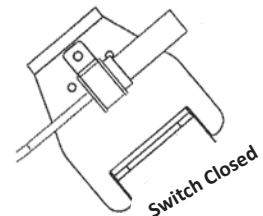
\*Custom extension lengths can be special ordered - contact SALES for a price quote\*



**HOLD Position with Wires UP**

**MOUNT THE SWITCH ON:**

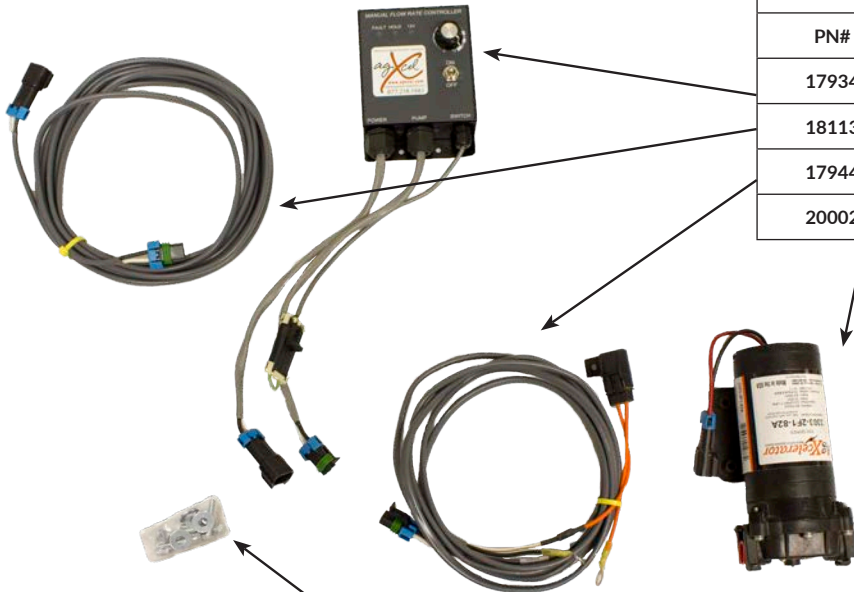
- 3 point arm if in use
- Planter wheel frame that changes angle
- Drill opener frame if openers are pivoted to raise out of ground.



**RUN Position with Wires DOWN**

**AGXCEL GX PUMP ASSIST KIT**  
PN# 19988

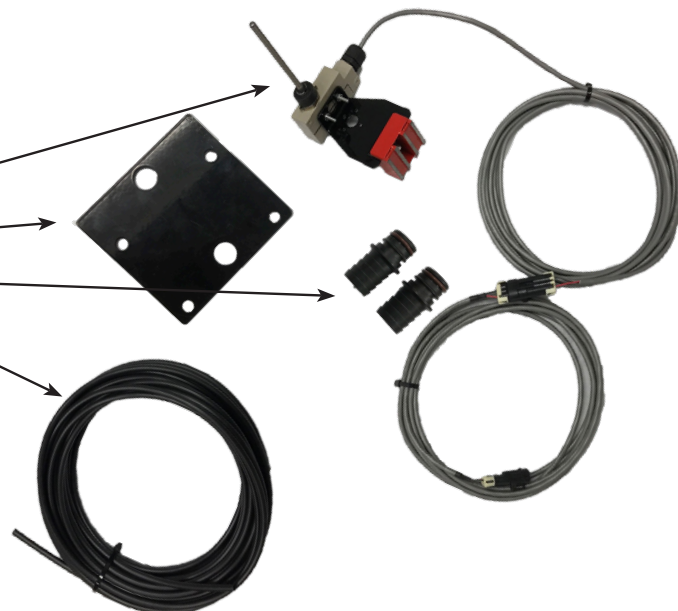
PUMP ASSIST KIT		
PN#	ITEM	QTY
17934	MANX	1
18113	15FT EXTENSION	1
17944	BATTERY CABLE	1
20002	5.3 GPM QC PUMP	1



20381	PUMP BOLT KIT	1
19646	#12 CLAMPS	4
53769	REMOTE GAUGE KIT	1

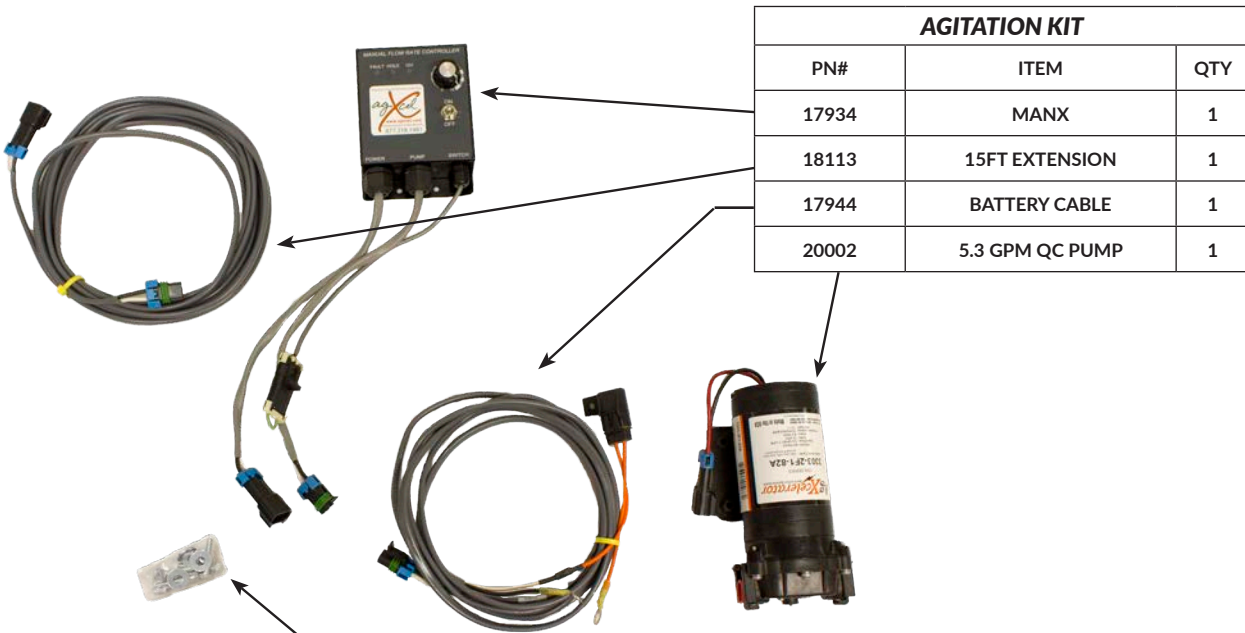


53824	RUN HOLD KIT	1
20343	PUMP BRACKET	1
17920	PUMP O-RING BARB	2
19920	EVA14 TUBING	15FT



**AGXCEL AGITATION KIT**

PN# 19986



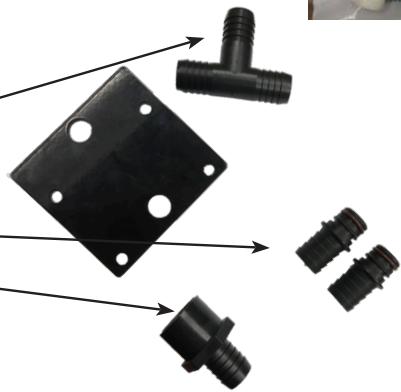
AGITATION KIT		
PN#	ITEM	QTY
17934	MANX	1
18113	15FT EXTENSION	1
17944	BATTERY CABLE	1
20002	5.3 GPM QC PUMP	1



20381	PUMP BOLT KIT	1
19646	#12 CLAMPS	6
31229	3/4" AGITATOR	1



15	3/4" HB PP TEE	1
20343	PUMP BRACKET	1
17920	PUMP O-RING BARB	2
32276	3/4" FNPT 3/4"HB	1



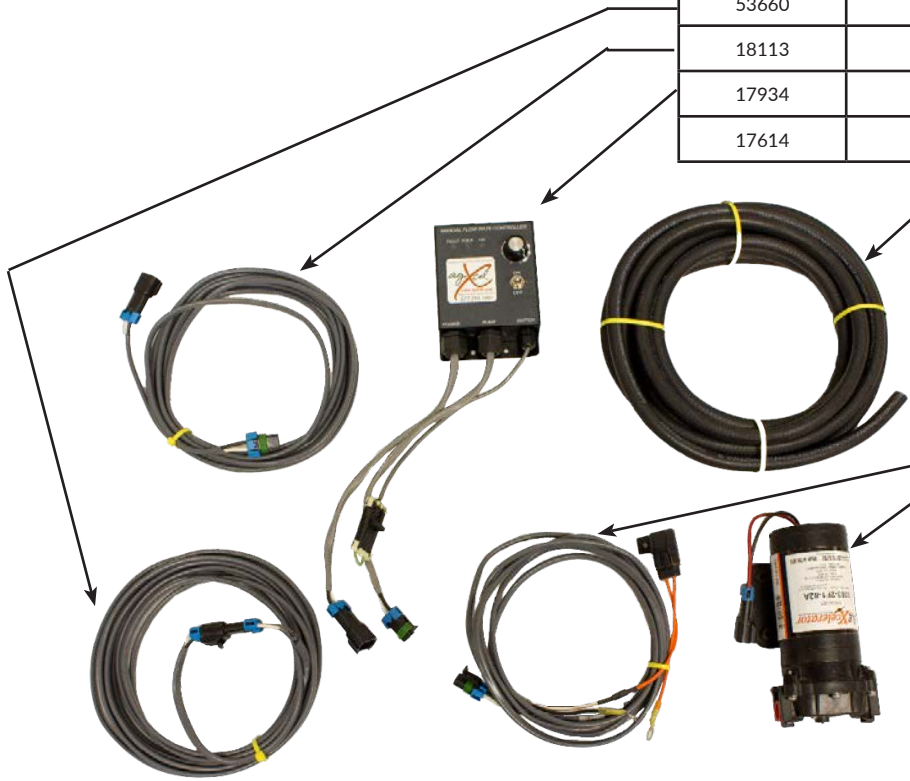
** GX2C AGITATION ADAPTER(S) (NOT SHOWN)		
17649	#6 HD CLAMPS	2
56138	3/8" PUMP O'RING BARB	1
20808	3/8" BARB STEM	1
USE 3/8" STEM AND 3/8" BARB QUICK ATTACH TO INLET ON PUMP - HOSE NOT INCLUDED ONLY FOR GX2C STYLE ADAPTION		



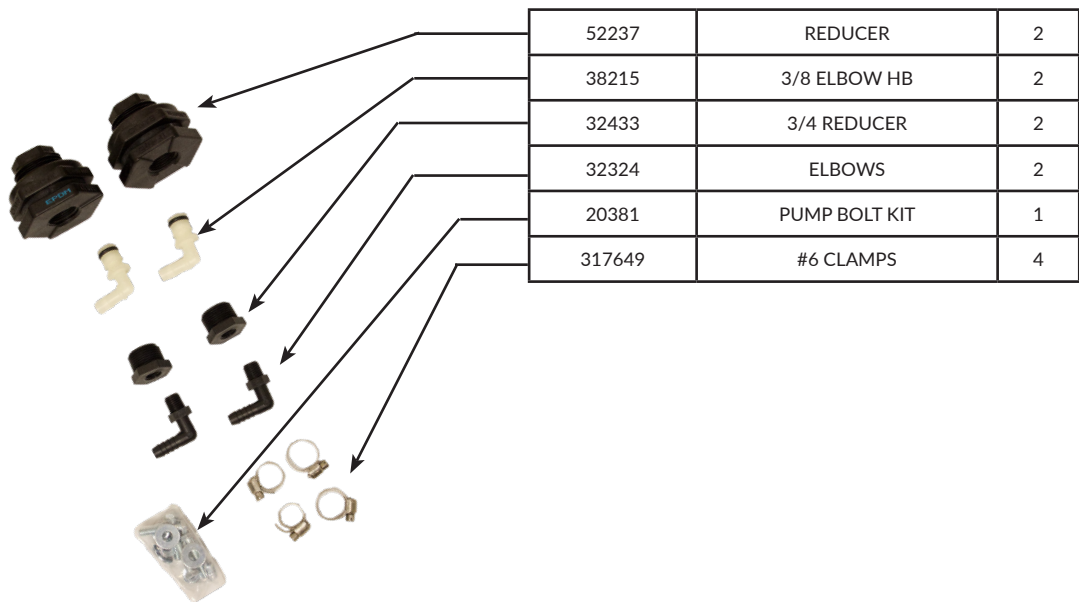
**AGXCEL GX12i AGITATION KIT**  
PN# 54742

# GX12i

GX12i AGITATION KIT		
PN#	ITEM	QTY
53660	20FT EXTENSION	1
18113	15FT EXTENSION	1
17934	MANX	1
17614	3/8 BLK HOSE	2FT



17944	BATTERY CABLE	1
20003	2.0 GPA PUMP	1



52237	REDUCER	2
38215	3/8 ELBOW HB	2
32433	3/4 REDUCER	2
32324	ELBOWS	2
20381	PUMP BOLT KIT	1
317649	#6 CLAMPS	4

**AGXCEL GXTBTMDUALTANKFILLKIT CENTER FILL KIT**

**PN# 38385**

**\*\*FOR ELECTRICAL SYSTEMS\*\***



**\*\* TO ADAPT TO A HYDRAULIC SYSTEM EXTRA FITTINGS ARE REQUIRED \*\***

TO ADAPT TO A 1 1/4" BUNG REMOVE THE 2 X 4 NIPPLE IN THE LAYOUT BELOW AND USE THE OPTIONAL FITTINGS AS SHOWN AT BOTTOM OF PAGE.

<b>GXTBTMDUALTANKFILLKIT CENTER FILL</b>		
PN#	ITEM	QTY
50863	3/4" HOSE BARB	1
50870	3/4" ELBOW BARB	1
52169	3/4 BALL VALVE	1
19646	#12 CLAMP	2
52001	3/4" NIPPLE	1
52082	REDUCER	1
50277	2" CROSS	1
50899	2" ELBOW	2

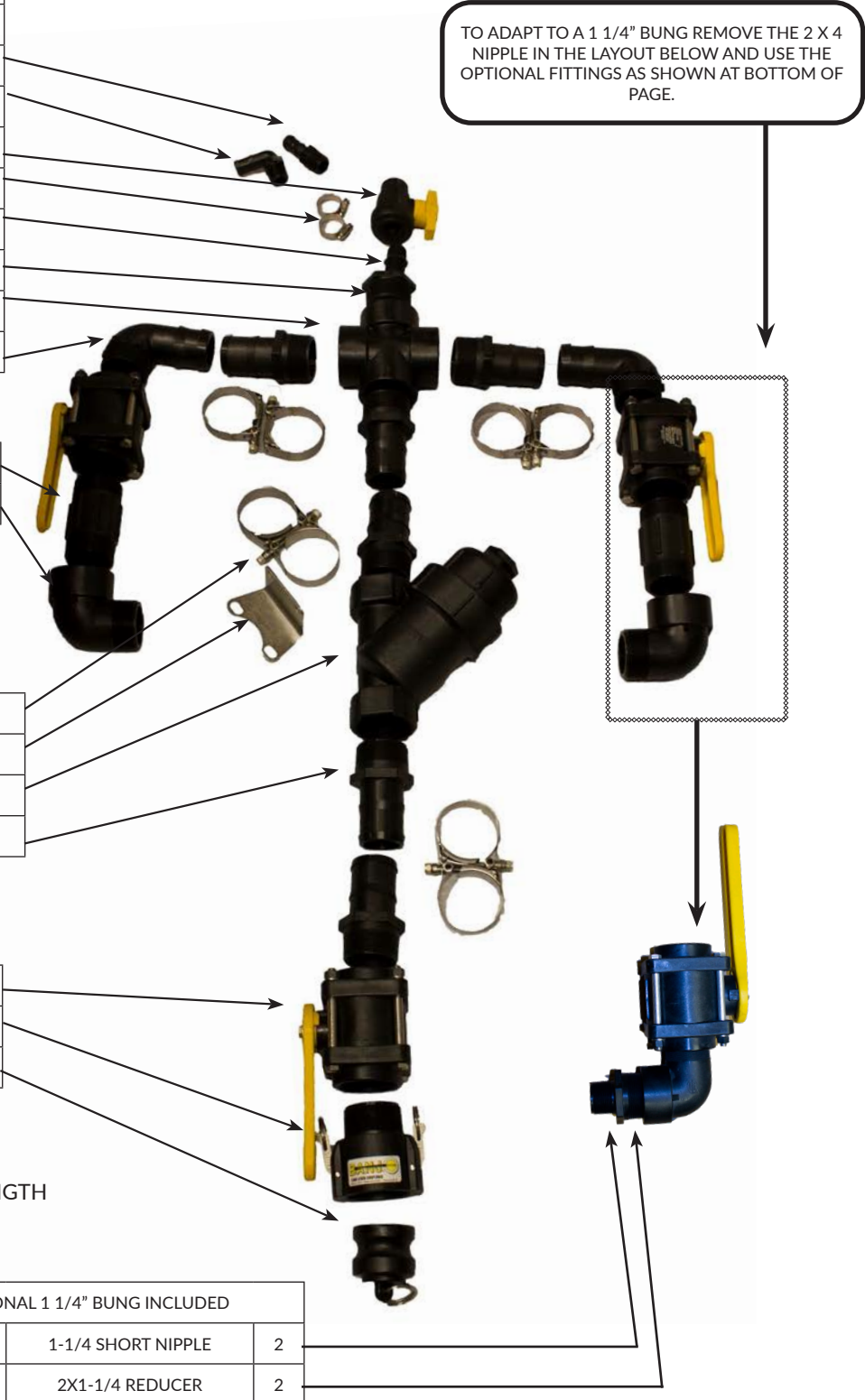
52013	2X4 NIPPLE	2
52154	2" POLY ELBOW	2

30230	2" CLAMP	8
52814	BRACKET	1
51062	STRAINER	1
50897	2" HOSE BARB	6

52609	2" BALL VALVE	3
49578	FEMALE COUPLER	1
49695	2" PLUG	1

NOTE: 2" SPIRAL HOSE HOSE NOT INCLUDED IN KIT SINCE LENGTH VARIES PER INSTALL.

OPTIONAL 1 1/4" BUNG INCLUDED		
52007	1-1/4 SHORT NIPPLE	2
52084	2X1-1/4 REDUCER	2



**AGXCEL GXFILL KIT**

PN# 17642

\*\*FOR ELECTRICAL SYSTEMS\*\*



GXFILL KIT		
PN#	ITEM	QTY
49587	CAP	1
49607	ADAPTER	1
52609	VALVE	2
52814	BRACKET	1
52013	4" NIPPLE	1

51062	STRAINER	1
30230	CLAMP	4
19646	#12 CLAMP	1
50870	ELBOW	1
50863	3/4" BARB	1

52169	VALVE	1
52001	3/4" NIPPLE	1
52082	REDUCER	1
52146	ELBOW	1

52218	TEE	1
NOTE: INSERT 2" SPIRAL HOSE HOSE NOT INCLUDED IN KIT SINCE LENGTH VARIES PER INSTALL.		
50897	2" BARB	4
52113	1 1/2" REDUCER	1
52112	1 1/4" REDUCER	1
52154	ELBOW	1
52015	NIPPLE	1

**AGXCEL GXTBTM TANK FILL KIT SIDE FILL**

**PN# 17987**

**\*\*FOR ELECTRICAL SYSTEMS\*\***



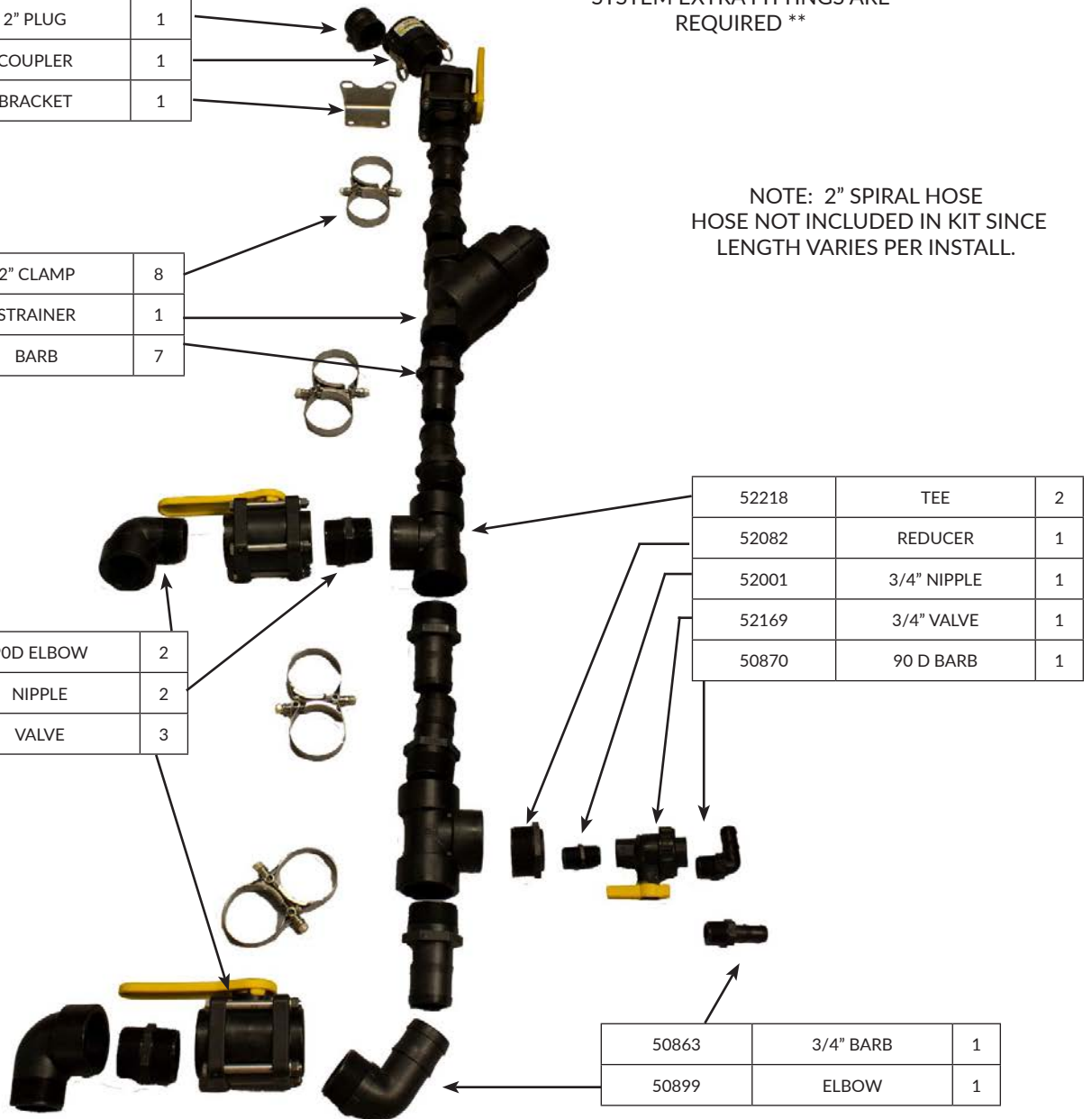
GXTBTM TANK SIDE FILL KIT		
PN#	ITEM	QTY
49695	2" PLUG	1
49578	COUPLER	1
52814	BRACKET	1

30230	2" CLAMP	8
51062	STRAINER	1
50897	BARB	7

52154	90D ELBOW	2
52015	NIPPLE	2
52609	VALVE	3

\*\* TO ADAPT TO A HYDRAULIC SYSTEM EXTRA FITTINGS ARE REQUIRED \*\*

NOTE: 2" SPIRAL HOSE HOSE NOT INCLUDED IN KIT SINCE LENGTH VARIES PER INSTALL.



**AGXCEL GX5 TANK TO PUMP KIT**

PN# 53845

\*\*FOR HYDRAULIC SYSTEMS\*\*



GX5TANK TO PUMP KIT		
PN#	ITEM	QTY
51381	2" BARB	2
38269	GASKET	3
51766	STRAINER 30 MESH	1
51383	2" 90-BARB	1
38267	CLAMP	3



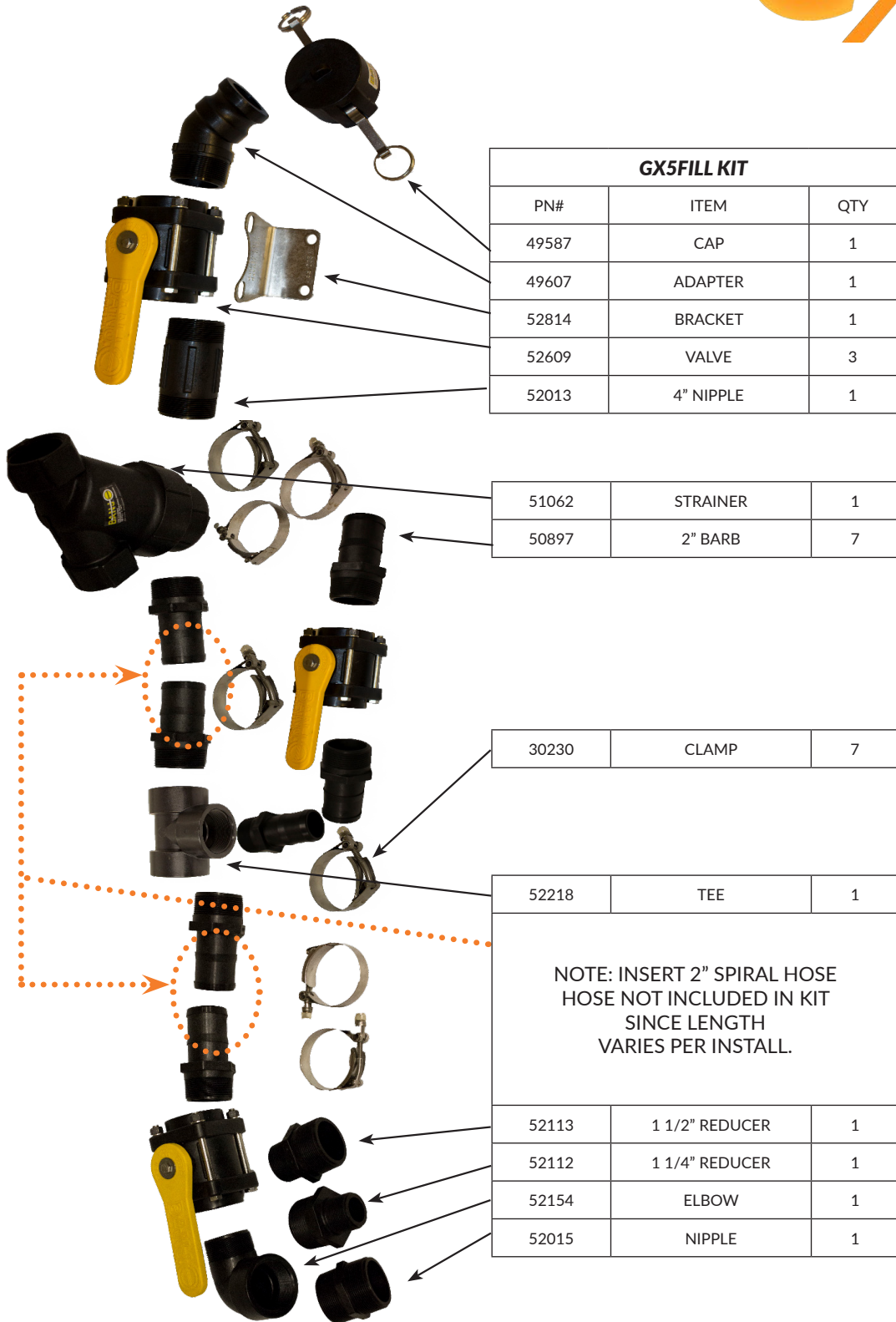
GX5TANK TO PUMP ALTERNATE KIT		
PN#	ITEM	QTY
51381	2" BARB	2
38269	GASKET	3
51850	MLST150-50 - 50 MESH	1
51383	2" 90-BARB	1
38267	CLAMP	3
19920	EVA14	3"
52073	RB100-025	1
263	1/4 MTP 1/4 QA	1
19848	1/4 SPEEDFIT SHUTOFF	1



AGXCEL GX5FILL KIT

PN# 54564

\*\*FOR HYDRAULIC SYSTEMS\*\*

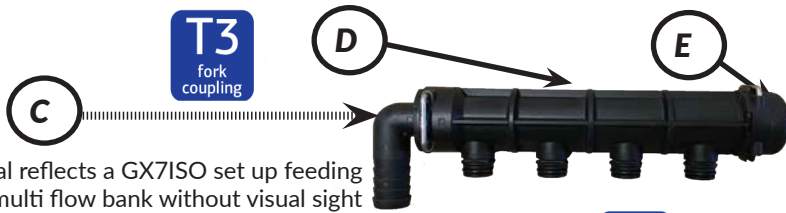


GX5FILL KIT		
PN#	ITEM	QTY
49587	CAP	1
49607	ADAPTER	1
52814	BRACKET	1
52609	VALVE	3
52013	4" NIPPLE	1

51062	STRAINER	1
50897	2" BARB	7

30230	CLAMP	7
-------	-------	---

52218	TEE	1
NOTE: INSERT 2" SPIRAL HOSE HOSE NOT INCLUDED IN KIT SINCE LENGTH VARIES PER INSTALL.		
52113	1 1/2" REDUCER	1
52112	1 1/4" REDUCER	1
52154	ELBOW	1
52015	NIPPLE	1



Visual reflects a GX7ISO set up feeding the multi flow bank without visual sight columns.



Layout example for the GX7ISO multiflow. The GX7ISO can either be plumbed in line from the visual sight columns or can be used as its own manifold without the sight columns.



**T1** fork coupling  
Inlet direct from a GX series application system  
OR a floating ball manifold



If feeding the multiflow from a floating ball manifold use item # F thru I on the inlet side

**T1** fork coupling

PN#	DESCRIPTION
A	55657 MULTIFLOW 0.08 - 1.6 GPM T1F
	56699 MULTIFLOW 0.3 - 5 GPM T1F
	56700 MULTIFLOW 0.6 - 13 GPM T1F
B	55752 T1 FORK
C	54664 T3 3/4" BARB MALE ELBOW (ADD ORING)
	54660 T3 3/4" BARB MALE (ADD ORING)
	54674 T3 VITON ORING
D	55656 4W MANIFOLD T1F
E	573 T3 END CAP (ADD FORK PN#54677)
F	55744 T1 O RING VITON
G	55658 1/4 PTC T1 FITTING
	55743 3/8 PTC T1 FITTING
H	570 3/8 BARB T1 FITTING
	572 1/2 BARB T1 FITTING
I	57287 3/8 PTC T1 ELBOW 90
	57285 1/4 PTC T1 ELBOW 90



GX7 DUAL MULTIFLOW BRACKET  
KIT PN# 57109  
BRACKET ONLY PN#57371

**MOUNTING OPTIONS**

GX7 TOMAHAWK  
PN# 57018



7X8.5X1/2 UBOLT  
PN# 53578

7X6.5X1/2 UBOLT  
PN# 17584

1/2" SPINNUIT  
PN# 53705

**PLUMBING**

	PLUMBING
308	3/4" BLACK HOSE (Use #12 CLAMPS - PN#19646)
19920	1/4" BLACK TUBING
54121	3/8" BLACK TUBING
17614	3/8" BLACK HOSE (Use #6 CLAMPS - PN#17649)
37619	1/2" BLACK HOSE (Use #6 CLAMPS - PN#17649)

# GX7

A	57343	GX7 ISO MAIN MODULE
B	20155	ASTRO 2 GPS
<b>HARNESSING</b>		
C	4PIN SUPERSEAL EXTENSIONS (SEE SUB PANEL)	
D	55026	GX7 ISO JD TAP CABLE
	56975	GX7 ISO 10FT IBIC
	57233	GX7 ISO 30FT IBIC
	17871	POWER HARNESS FOR IBIC
	57235	GX7 ISO CASE 1200 SERIES
	57232	GX7 ISO CASE 2100 SERIES
E	55851	GX7 Y ADAPTER
	57301	GX7 ISO MAIN HARNESS

**A** GX7 ISO MAIN MODULE



**B** JD GS Virtual Terminal



**B** GPS SPEED SENSOR PN#20155



**E** GX7 ISO MAIN HARNESS PN# 57301



GX7 ISO 10FT IBIC  
PN# 56975



**D**

GX7 Y ADAPTER  
PN# 55851



GX7 ISO JD TAP CABLE  
PN# 55026



GX7 ISO CASE 1200 SERIES  
PN# 57235



GX7 ISO CASE 2100 SERIES  
PN# 57232



**C** 4PIN SUPERSEAL MULTIFLOW TO Y HARNESS EXT CABLES

55705	CANBUS 10FT EXT CABLE
55707	CANBUS 10FT EXT CABLE
55708	CANBUS 10FT EXT CABLE
55709	CANBUS 10FT EXT CABLE
55710	CANBUS 10FT EXT CABLE
55711	CANBUS 50FT EXT CABLE
55712	CANBUS 60FT EXT CABLE

CANBUS 10FT EXT CABLE  
PN# 55708



**ISO EXTENSIONS FROM MAIN HARNESS**

12216	ISO 10FT EXTENSION CABLE
12217	ISO 15FT EXTENSION CABLE
12218	ISO 20FT EXTENSION CABLE
12219	ISO 30FT EXTENSION CABLE
12220	ISO 40FT EXTENSION CABLE
12221	ISO 50FT EXTENSION CABLE

ISO 10FT EXT CABLE  
PN# 12216



**AgXcel**  
CALCULATOR

Our easy to use, orifice and metering tube calculator is available FREE now on the App Store.



## HYDRAULIC FERTILIZER APPLICATION SYSTEMS

GX5	PN#	GX5 STATS
LFP80	55587	3 DIAPHRAGMS - BLUE FLEX .5 - 20 GPM - LIQUID FERTILIZER PESTICIDES
LFP120	56029	3 DIAPHRAGMS - BLUE FLEX 1 - 30 GPM - LIQUID FERTILIZER PESTICIDES
LFP160	53588	4 DIAPHRAGMS - BLUE FLEX 5 - 35 GPM - LIQUID FERTILIZER PESTICIDES
D250	53597	6 DIAPHRAGMS - BLUE FLEX 5 - 55 GPM - STANDARD



Complete LFP80 shown above

**Optional** - Integration into GS2/GS3, JD2K, Trimble, AgLeader, Raven, MicroTrak is approximately \$1800.00 - \$3200.00 on top of the prices listed - Includes, Harnesses, Flow Meter, and brackets. (Additional cost for swath control setups)

\*\* Manifold kits are also available and a variety of GX5 mounting brackets sold at an extra charge \*\*

Complete GX5 hydraulic system with pump, pwm valve, hydraulic motor, hoses, clamps, all completely assembled, ready to go.



Complete LFP120 shown above



BlueFlex Diaphragm



Complete D250 shown above

\*Due to possible manufacturers price changes, prices are subject to change without notice.\*

# GX5 FOR VAPPLY HD

NO PLUMBING - PUMP, MOTOR, PWM AND PUMP FLANGE KIT - ONLY

GX5	PN#	GX5 STATS	LIST*
LFP80	37649	3 DIAPHRAGMS - BLUE FLEX .5 - 20 GPM - PUMP, STD MOTOR & PWM ONLY	
LFP120	37776	3 DIAPHRAGMS - BLUE FLEX 1 - 30 GPM - PUMP, STD MOTOR & PWM ONLY	
LFP160	35327	4 DIAPHRAGMS - BLUE FLEX 5 - 35 GPM - PUMP, STD MOTOR & PWM ONLY	<b>CALL FOR PRICING</b>
D250	35381	6 DIAPHRAGMS - BLUE FLEX 5 - 55 GPM - PUMP, STD MOTOR & PWM ONLY	
ADDED TO KITS ABOVE	53687	GXvAPPLY RPM ADD-ON KIT - MUST BE SOLD IN CONJUNCTION WITH A GX5 SYSTEM	



VAPPLY LFP80 shown above



QUICK REFERENCE GX5 KITS



DIAPHRAGM KITS	PN#	DESCRIPTION
	55564	LFP45/BP45 BLUE FLEX DIAPHRAGM KIT
	55568	LFP 45 VITON DIAPHRAGM KIT
	55570	LFP/BP 80 BLUE FLEX DIAPHRAGM KIT
	55569	LFP 80 VITON DIAPHRAGM KIT
	37703	D70 BLUE FLEX DIAPHRAGM KIT
	37708	D115 BLUE FLEX DIAPHRAGM KIT
	55572	LFP120 BLUE FLEX DIAPHRAGM KIT
	55574	LFP120 VITON DIAPHRAGM KIT
	37730	D160 BLUE FLEX DIAPHRAGM KIT
	70000	LFP160 BLUE FLEX DIAPHRAGM KIT
	37732	D250 BLUE FLEX DIAPHRAGM KIT

TIP: If unsure of pump size, look for a metal label on either the oil reservoir or on/or near the base of pump.



**WARNING!**

Do Not use the GX5 diaphragm pump for applying two-step curing compounds, asphalt or asphalt sealer, or other products that can harden inside the pump.

Do Not use the GX5 diaphragm pump to pump flammable liquids, including gasoline or diesel fuel.

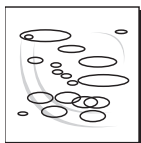
Pumping bleach with the GX5 diaphragm pump will void the manufacturer warranty.

Do Not allow this pump to freeze with water inside the pump.

Failure to follow these warnings will result in personal injury, pump damage and void the warranty.



O'RING KITS	PN#	DESCRIPTION
	37735	LFP 45 O'RING KIT
	37761	LFP 80 O'RING KIT
	29935	D70 O'RING KIT
	29922	D115 O'RING KIT
	34739	LFP120 O'RING KIT
	29905	D160 O'RING KIT
	56155	LFP160 O'RING KIT
	29903	D250 O'RING KIT



VALVE KITS	PN#	DESCRIPTION
	55566	LFP 45 VALVE KIT
	29934	D70 VALVE KIT
	29936	D115 VALVE KIT
	55575	LFP80/LFP120 VALVE KIT
	29937	D160 VALVE KIT
	56154	LFP160 VALVE KIT
	29930	D250 VALVE KIT

Diaphragm Pump Oil	57489	OIL QUART (32oz)
--------------------	-------	------------------

37720	D70 DAMPER DIAPHRAGM
55197	D70 DAMPER DIAPHRAGM CLAMP

Specifically formulated for GX5 Diaphragm pumps.

- Advanced Lubrication Technology
- BlueFlex Diaphragm compatible
- SAE 30 Non-Detergent Oil

**NEW STYLE**

GX5 LFP80 COMPONENTS		
PN#		DESCRIPTION
A	53692	GX5BASEMOUNT
B	38387	GX5 EATON ORBIT (MOTOR ONLY)
	53930	GX5PWMHYDVALVE 10 (PWM ONLY)
	53931	GX5 PWM HYD VALVE W/ MOTOR KIT
	55586	HYD FLANGE KIT FOR LFP80
C	38461	GX5 LFP80 - PUMP ONLY
D	52150	SPIKE VALVE BRACKET (QTY 2)
E	51331	1" MANIFOLD COUPLING (QTY 2)
F	33132	1" WORM SCREW CLAMP
	50016	3/4" EPDM GASKET
G	51328	1" MANIFOLD X 1" HB ELBOW
H	38254	1" MANIFOLD X 3/4 HB ELBOW
I	51344	1" PLUG WITH 1/4" FPT
	32361	1/4" HEX PLUG
	52142	1/4" POLY ELBOW FOR GAUGE
	33812	160 PRESSURE GAUGE (NOT SHOWN)**
J	50863	3/4 THREAD X 3/4 HB
K	51366	2" PORT x 1" FLANGED TEE (QTY 2)
L	53629	100 PSI PRESSURE RELIEF VALVE

PN#		DESCRIPTION
M	38267	2" WORM SCREW CLAMP
	38269	2" FLANGE GASKET
N	52198	1-1/2 T-BOLT CLAMP (2 REQ'D)
	53480	1-1/2 SPIRAL HOSE (@ 12 FT)
O	53502	1" BLACK HOSE
	52194	1" T-BOLT CLAMP
P	51347	1" MANIFOLD FLANGED TEE
Q	39456	3/4" RELIEF VALVE
R "OUT"	55771	1" ELBOW
	55770	RING NUT
	55920	O RING FOR LFP80
S "IN"	56139	1 1/2" ELBOW
	55761	RING NUT
	55915	O RING FOR LFP80
T	51347-T	1" FLANGED TEE W/1/4 PORT
U	260	QC1
	19920	EVA14 @ 3"
	19848	1/4 SHUTOFF (BLEEDER VALVE)
V	32409	2" MANIFOLD X 1.5" HB ELBOW

**OPTIONAL MOUNTING GX5 MOUNTING BRACKETS**



PN#54586 CASE IH/JD bracket to mount the GX5 on the draw bar (Bracket can fit draw bars 8" to 10" wide)



PN#53678 GX5 bracket for JD planter front fold for 12 & 16 row planters - will NOT fit DB models.

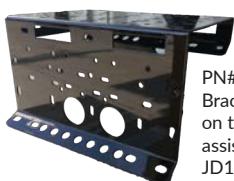


PN#53957 GX5 Bracket assembly for JD 1770 NT front fold 24 row planter - will NOT fit DB models.

PN#54898 Universal mounting bracket

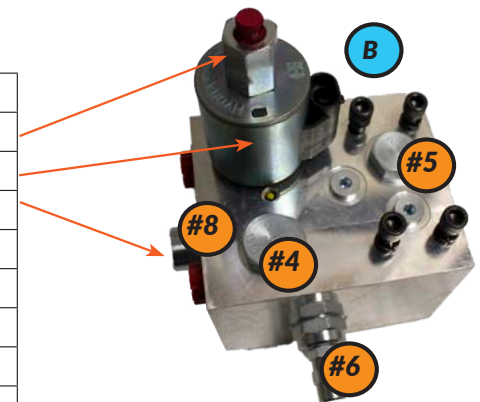


PN#54397 GX5 Bracket for JD1720 CCS (mounted to circular plate on lift assist frame)

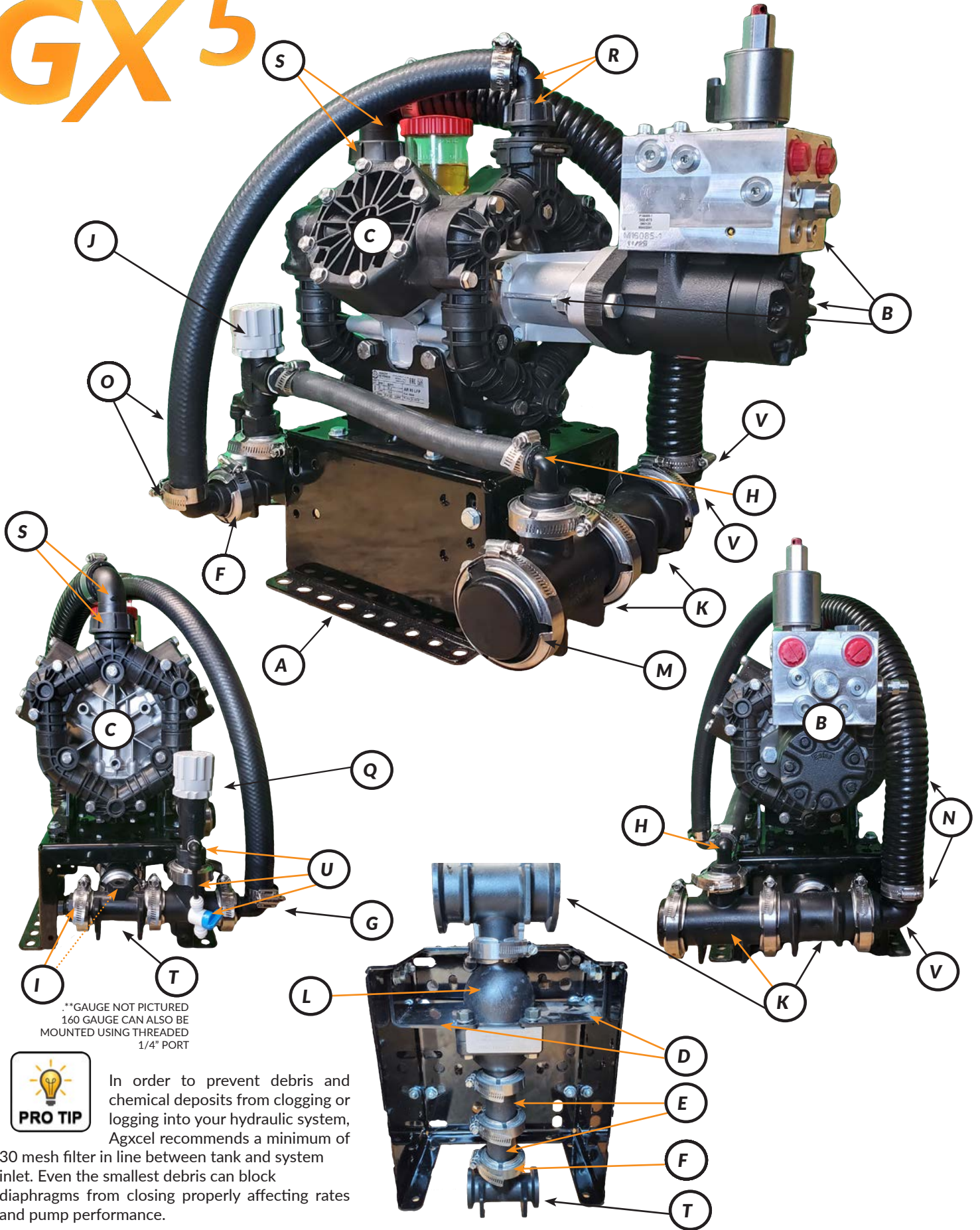


PN#53968 GX5 Bracket for on the rear lift assist wheels on JD1790 planter.

PN#	DESCRIPTION
55493	GX5MANUALOVERRIDEVALVE
55165	GX5PWMSOLENOID
54472	160 PSI HYD CARTRIDGE
54490	CARTRIDGE SEAL KIT FOR GX5 PWM #8
54488	CARTRIDGE SEAL KIT FOR GX5 PWM #5
54487	CARTRIDGE SEAL KIT FOR GX5 PWM #4
54489	CARTRIDGE SEAL KIT FOR GX5 PWM #6
55095	MOTOR SEAL KIT
54562	O'RING (BETWEEN MOTOR & PWM - QTY 2)



# GX5



\*\*GAUGE NOT PICTURED  
160 GAUGE CAN ALSO BE  
MOUNTED USING THREADED  
1/4" PORT



In order to prevent debris and chemical deposits from clogging or logging into your hydraulic system, Agxcel recommends a minimum of

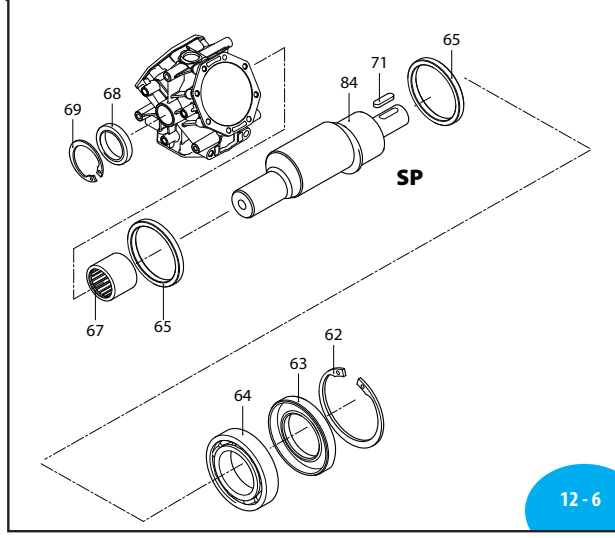
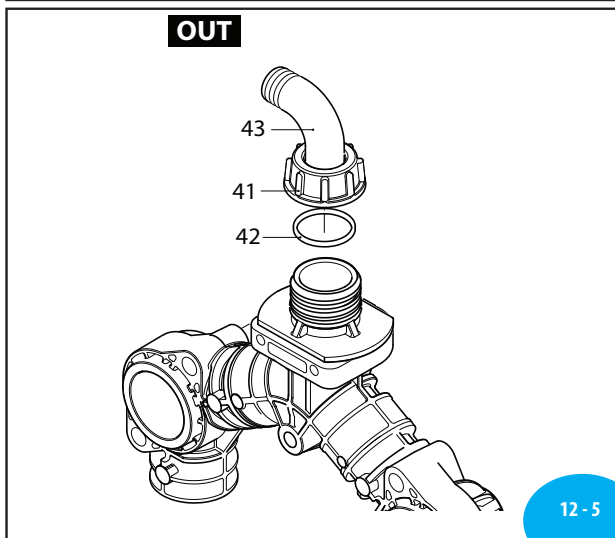
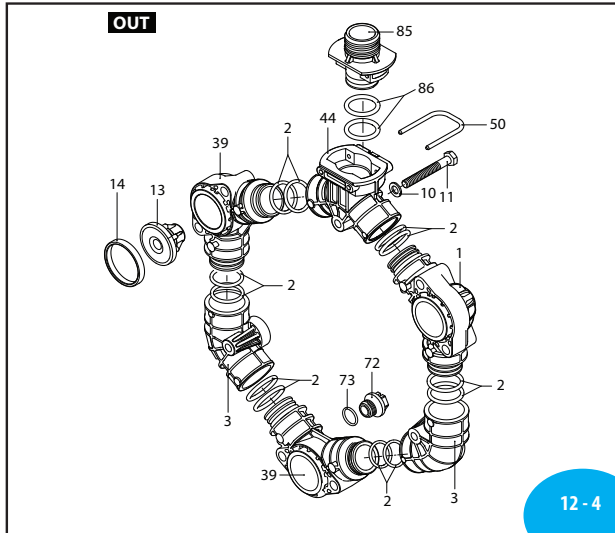
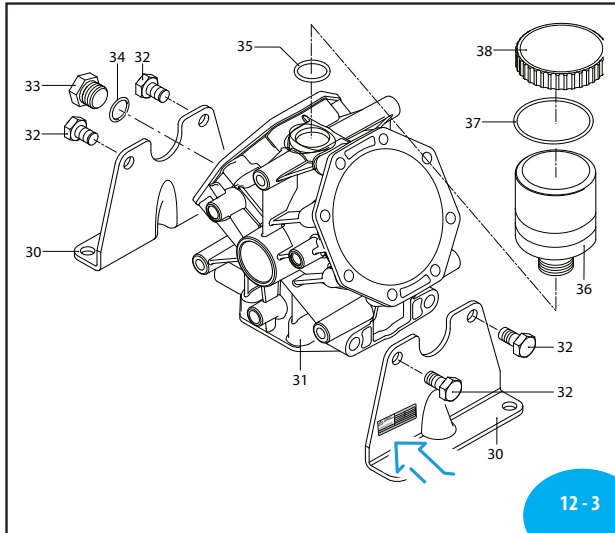
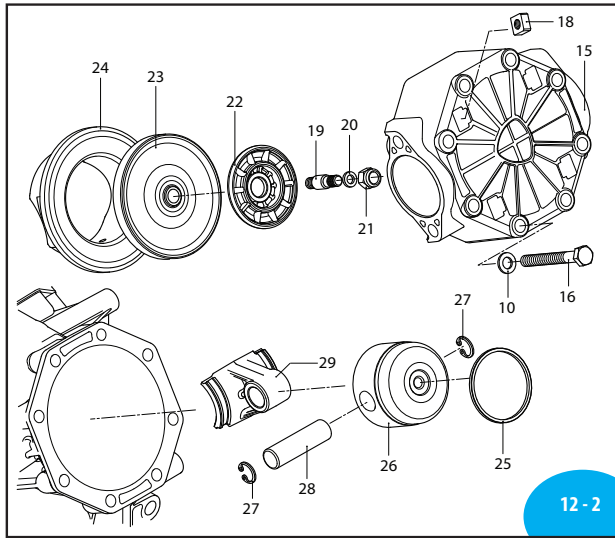
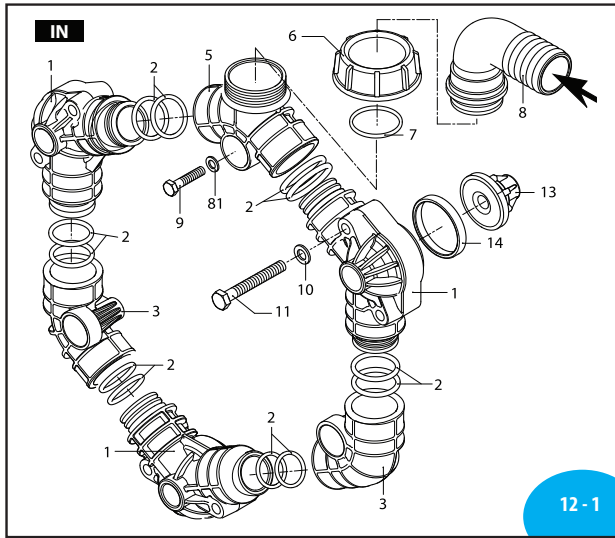
30 mesh filter in line between tank and system inlet. Even the smallest debris can block diaphragms from closing properly affecting rates and pump performance.

**E** [INFO@AGXCEL.COM](mailto:INFO@AGXCEL.COM)

**P** 877.218.1981

**W** [WWW.AGXCEL.COM](http://WWW.AGXCEL.COM)

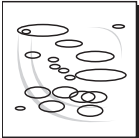
**GX5 LFP/BP80 PUMP BREAK DOWN**



Pos	Code	Description	Qty	Note
1	3240030	Manifold Section	5	
2	390292	O-ring Ø 28.25x2.62	24	Viton
3	3240040	Manifold Section	4	
5	3240050	Manifold Section	1	
6	750670	Ring nut 1-1/2" G	1	
7	1880460	O-ring Ø 29x3	1	Viton
8	50267	Elbow Ø 40	1	
9	3240280	Screw TE M8x55	6	SST106*
10	3120760	Washer	36	SS
11	380211	Screw TEM8x75	12	SST88
13	2429051	Valve AISI 316L	6	
14	3160380	Gasket	6	Viton
15	3240020	Head	3	
16	621771	Screw TE M8x80	24	SST124*
18	3120510	Nut M8 framework	12	SS
19	3240101	Hub pin AISI 316L	3	T265* (a)
20	320622	Washer	3	SS
21	2240670	Nut M10 AISI 316L	3	T221*
22	3240110	Plate	3	
23	1040083	Diaphragm Øe 105	3	BlueFlex™
24	3240130	Sleeve	3	
25	650190	Piston ring	3	
26	1040120	Piston Ø 63	3	
27	1040270	Ring Øi 15	6	
28	1040070	Pin	3	
29	3240120	Connecting-rod	3	
30	3240090	Foot	2	
31	3240010	Pump body	1	
32	620342	Screw TE M10x20	4	SST265
33	880530	Plug 3/8" G	1	T177*
34	740290	O-ring Ø 14x1.78	1	
35	720030	O-ring Ø 22.22x2.62	1	
36	3120240	Tank	1	T177*
37	650920	O-ring Ø 53.65x2.62	1	
38	1040324	Plug red	1	
39	3240031	Manifold Section	1	
41	3120440	Ring nut 1" G	1	
42	1140451	O-ring Ø 20.24x2.62	1	Viton
43	3120460	Elbow Ø 25	1	
44	3240080	Manifold Section	1	
45	550040	O-ring Ø 26.65x2.62	1	
50	3460210	Fork	1	
62	961790	Ring Øi68	1	
63	3120160	Ring seal	1	
64	961780	Bearing	1	
65	6240320	Ring	2	
67	3460110	Bearing	1	
68	1300230	Ring seal	1	
69	480900	Ring Øi 35	1	
71	2280950	Key	1	(d)
72	3120690	Plug 3/8"	1	
73	2840891	O-ring Ø 14x2	1	Viton
81	390315	Washer	6	SS
84	3240190	Shaft SP marked EB	1	


Pos	Code	Description	Qty	Note
85	3240460	Adapter 1" G	1	
86	550351	O-ring Ø 23.81x2.62	2	Viton


(a) Screw with Loxeal 83-21 thread lock STRONG.  
 (d) Supplied in kit applications.  
 \* Torque: in-lbs +/- 10%

37761	LFP80 O-RING KIT	
37772	BP80 O-RING KIT	

Pos.	Qty	Pos.	Qty
2	24	45	2
7	1	52	1
34	1	57	1
35	1	58	1
37	1	73	1
42	1		

55570	LFP80/BP80 BLUE FLEX DIAPHRAGM KIT
55569	LFP80 VITON DIAPHRAGM KIT

	Pos.	Qty
	14	6
	23	3
	45	2
	47	1

	55575	LFP80 VALVE KIT	<table border="1"> <thead> <tr> <th>Pos.</th> <th>Qty</th> </tr> </thead> <tbody> <tr><td>13</td><td>6</td></tr> <tr><td>14</td><td>6</td></tr> </tbody> </table>	Pos.	Qty	13	6	14	6
	Pos.	Qty							
13	6								
14	6								
55576	BP80 VALVE KIT								

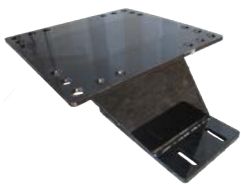
57489	OIL QUART (32oz)
CRANKCASE OIL CAPACITY 13 oz.	

**NEW STYLE**

GX5 LFP120 COMPONENTS		
PN#		DESCRIPTION
A	53692	GX5BASEMOUNT
B	38387	GX5 EATON ORBIT (MOTOR ONLY)
	53930	GX5PWMHYDVALVE 10 (PWM ONLY)
	53931	GX5 PWM HYD VALVE W/ MOTOR KIT
	55585	HYD FLANGE KIT FOR LFP120
C	55530	GX5 LFP120 - PUMP ONLY
D	52150	SPIKE VALVE BRACKET (QTY 2)
E	51331	1" MANIFOLD COUPLING (QTY 2)
F	33132	1" WORM SCREW CLAMP
	50016	3/4" EPDM GASKET
G	51328	1" MANIFOLD X 1" HB ELBOW
H	38254	1" MANIFOLD X 3/4 HB ELBOW
I	51344	1" PLUG WITH 1/4" FPT
	32361	1/4" HEX PLUG
	52142	1/4" POLY ELBOW FOR GAUGE
	33812	160 PRESSURE GAUGE (NOT SHOWN)**
J	50863	3/4 THREAD X 3/4 HB
K	51366	2" PORT x 1" FLANGED TEE (QTY 2)
L	53629	100 PSI PRESSURE RELIEF VALVE

PN#		DESCRIPTION
M	38267	2" WORM SCREW CLAMP
	38269	2" FLANGE GASKET
N	52198	1-1/2 T-BOLT CLAMP (2 REQ'D)
	53480	1-1/2 SPIRAL HOSE (@ 12 FT)
O	53502	1" BLACK HOSE
	52194	1" T-BOLT CLAMP
P	51347	1" MANIFOLD FLANGED TEE
Q	39456	3/4" RELIEF VALVE
R "OUT"	56141	1" ELBOW
	56142	RING NUT
	56140	O RING FOR LFP120
S "IN"	56139	1 1/2" ELBOW
	55761	RING NUT
	55915	O RING FOR LFP120
T	51347-T	1" FLANGED TEE W/1/4 PORT
U	260	QC1
	19920	EVA14 @ 3"
	19848	1/4 SHUTOFF (BLEEDER VALVE)
V	32409	2" MANIFOLD X 1.5" HB ELBOW

**OPTIONAL MOUNTING GX5 MOUNTING BRACKETS**



PN#54586 CASE IH/JD bracket to mount the GX5 on the draw bar (Bracket can fit draw bars 8" to 10" wide)



PN#53678 GX5 bracket for JD planter front fold for 12 & 16 row planters - will NOT fit DB models.

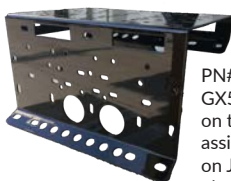


PN#53957 GX5 Bracket assembly for JD 1770 NT front fold 24 row planter - will NOT fit DB models.

PN#54898 Universal mounting bracket

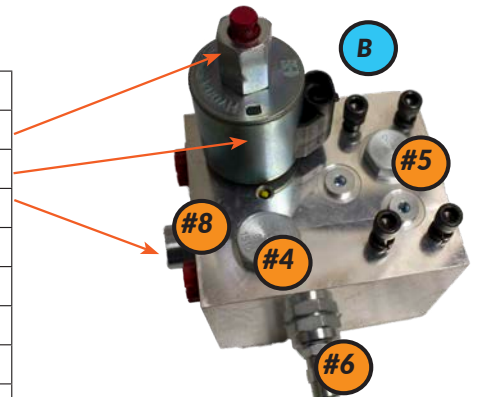


PN#54397 GX5 Bracket for JD1720 CCS (mounted to circular plate on lift assist frame)

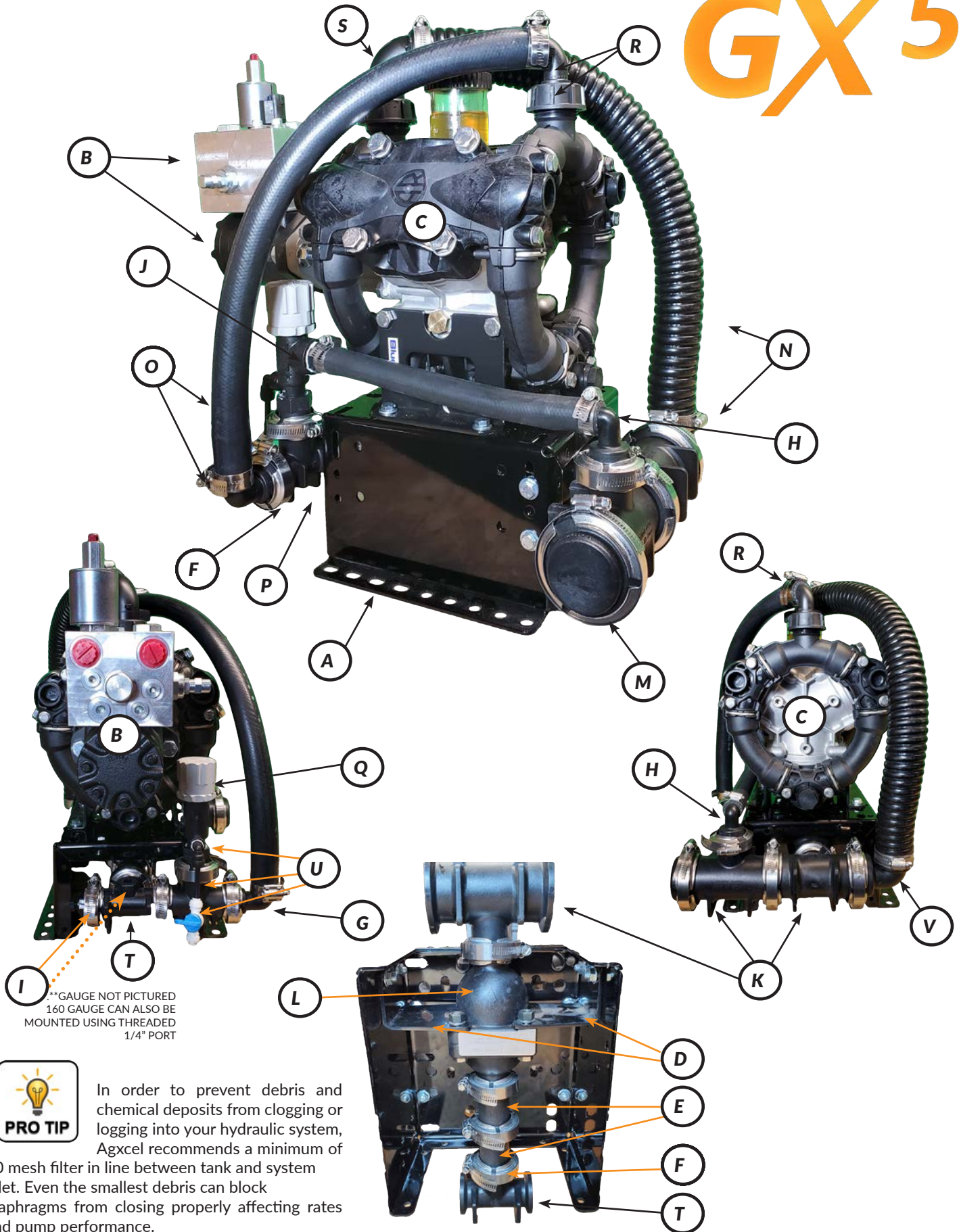


PN#53968 GX5 Bracket for on the rear lift assist wheels on JD1790 planter.

PN#	DESCRIPTION
55493	GX5MANUALOVERRIDEVALVE
55165	GX5PWMSOLENOID
54472	160 PSI HYD CARTRIDGE
54490	CARTRIDGE SEAL KIT FOR GX5 PWM #8
54488	CARTRIDGE SEAL KIT FOR GX5 PWM #5
54487	CARTRIDGE SEAL KIT FOR GX5 PWM #4
54489	CARTRIDGE SEAL KIT FOR GX5 PWM #6
55095	MOTOR SEAL KIT
54562	O'RING (BETWEEN MOTOR & PWM - QTY 2)



# GX5



I \*\*GAUGE NOT PICTURED  
160 GAUGE CAN ALSO BE  
MOUNTED USING THREADED  
1/4" PORT



In order to prevent debris and chemical deposits from clogging or logging into your hydraulic system, Agxcel recommends a minimum of

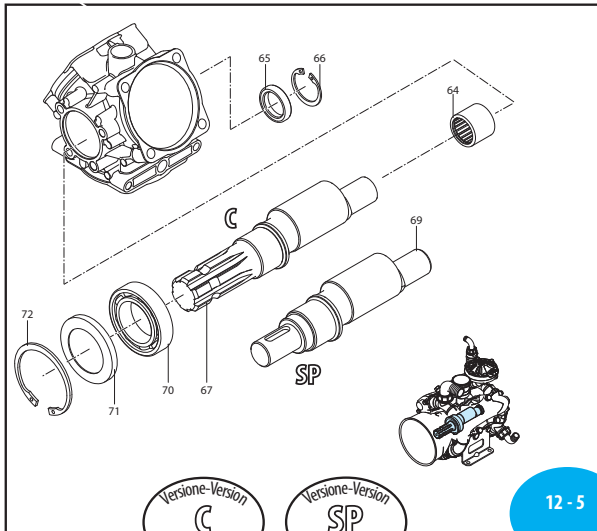
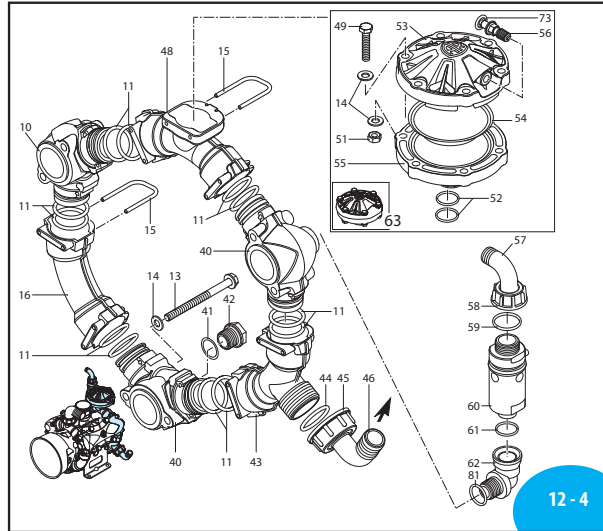
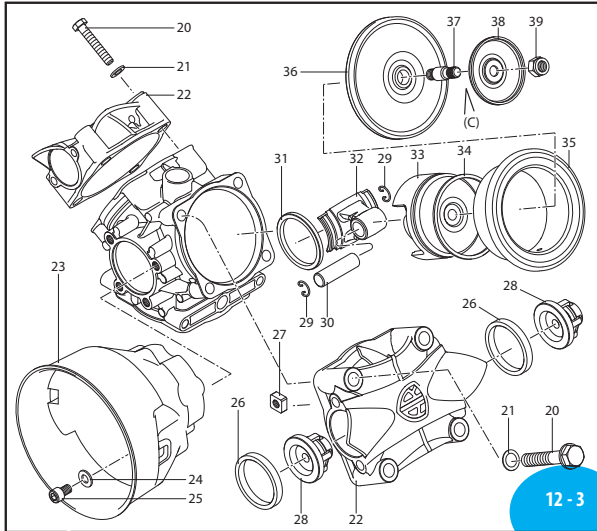
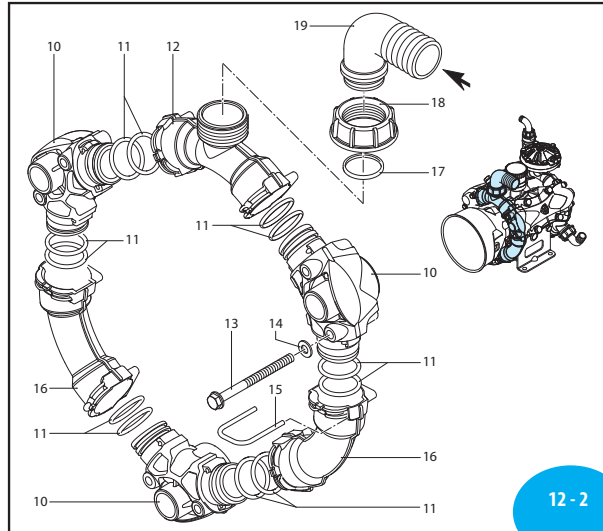
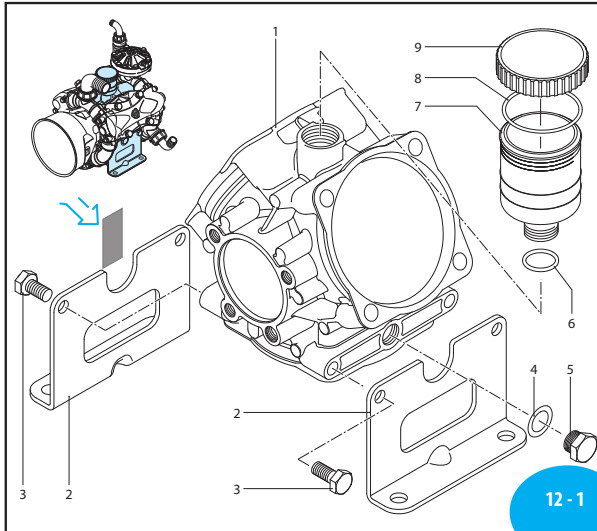
30 mesh filter in line between tank and system inlet. Even the smallest debris can block diaphragms from closing properly affecting rates and pump performance.

**E** [INFO@AGXCEL.COM](mailto:INFO@AGXCEL.COM)

**P** 877.218.1981

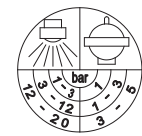
**W** [WWW.AGXCEL.COM](http://WWW.AGXCEL.COM)

**GX5 LFP120 PUMP BREAK DOWN**



**LFP120 - 3 DIAPHRAGMS**

FERTILIZER FLOW (GPM)	HYDRAULIC OIL FLOW (GPM)
10	3.0
15	4.5
20	6.1
25	7.6
BASED ON A 30FT TOOL BAR	




2154700 Air chamber decal

Pos	Code	Description	Qty	Note
1	3460010	Pump body	1	
2	3460100	Foot	2	Cataphoresis
3	160672	Screw TE M10x25	4	Geomet T265*
	160673	Screw TE M10x25	4	SS T265* LFP
	740290	O-ring Ø 14x1.78	1	
5	880530	Plug 3/8" G	1	T180*
6	720030	O-ring Ø 22.22x2.62	1	
7	3120240	Tank	1	T180*
8	650920	O-ring Ø 53.65x2.62	1	
9	1040326	Plug black	1	AR 120bp
	1040324	Plug red	1	AR 140bp
10	3460030	Line	4	
11	2680140	O-ring Ø 32.93x3.53	24	
	2680141	O-ring Ø 32.93x3.53	24	Viton LFP
12	3460050	Line suction	1	
13	3460200	Screw TE M8x100	12	Geomet T105*
	3460201	Screw TE M8x100	12	SS T105* LFP
14	390314	Washer	24	Geomet
	390315	Washer	24	SS LFP
15	3460210	Fork	13	
16	3460040	Line	3	
17	390290	O-ring Ø 29x3	1	
	1880460	O-ring Ø 29x3	1	Viton LFP
18	750670	Ring nut 1 1/2" G	1	
19	50267	Elbow 1 1/2"	1	
20	750071	Screw TE M12x70	12	Geomet T310*
	750072	Screw TE M12x70	12	SS T310* LFP
21	390090	Washer	12	Geomet
	390092	Washer	12	SS LFP
22	3460020	Head	3	
23	3240290	Shield	2	
24	320621	Washer	4	Geomet
	320622	Washer	4	SS LFP
25	820673	Screw TCEI M10x16	4	Geomet T90*
	820672	Screw TCEI M10x16	4	SS T90* LFP
26	3460240	Gasket	6	
	3460380	Gasket	6	Viton LFP
27	3120511	Nut M8	12	Geomet
	3120510	Nut M8	12	SS LFP
28	2429050	Valve	6	
	2429051	Valve AISI 316L	6	LFP
29	380080	Ring circlip Øi 14	6	
30	380300	Pin	3	
31	3460090	Ring connecting rod	2	
32	3460080	Connecting-rod	3	
33	580120	Piston Ø 80	3	
34	500260	Piston ring	3	
35	750117	Sleeve	3	AR 120bp
	750110	Sleeve	3	AR 140bp
36	550080	Diaphragm	3	NBR
	550081	Diaphragm	3	BlueFlex
	550084	Diaphragm	3	Viton
	550085	Diaphragm	3	Desmopan
	550086	Diaphragm	3	HPDS
	2240100	Hub pin	3	T265* (a)
37	2240101	Hub pin	3	T265* LFP
	580090	Wobble plate	3	
39	2240110	Nut M10 SS	3	T220*
	2240670	Nut M10 AISI 316L	3	T220* LFP


Pos	Code	Description	Qty	Note
40	3460031	Line	2	
41	1140450	O-ring Ø 20.24x2.62	1	
	1140451	O-ring Ø 20.24x2.62	1	Viton LFP
42	3460220	Plug 1/2" G	1	T90*
43	3460060	Line manifold	1	
44	550040	O-ring Ø 26.62x2.62	1	
	880311	O-ring Ø 26.62x2.62	1	Viton LFP
45	651100	Ring nut 1" 1/4 G	1	
46	651460	Elbow 1"	1	
48	3460070	Line	1	
49	621781	Screw TE M8x40	6	Geomet T180*
	621782	Screw TE M8x40	6	SS T180* LFP
51	380242	Nut M8	6	Geomet T180*
	3120260	Nut M8	6	
52	550040	O-ring Ø 26.62x2.62	2	
	880311	O-ring Ø 26.62x2.62	2	Viton LFP
53	3460190	Semi air chamber upper	1	Nylon
54	800190	Diaphragm air chamber	1	NBR
	800192	Diaphragm air chamber	1	BlueFlex
55	3460180	Semi air chamber lower	1	Nylon
56	180020	Air valve	1	T220*
57	550460	Elbow Ø 18	1	
58	550450	Ring nut 3/4" G	1	
59	880831	O-ring Ø 15.54x2.62	1	Viton
60	1609000	Safety valve	1	290 PSI (b)
61	180101	O-ring Ø 17.5x2	1	
	180102	O-ring Ø 17.5x2	1	Viton LFP
62	3460320	Fitting 1/2" G M-F	1	activator
63	1505	Air chamber	1	NBR
	43067	Air chamber	1	BlueFlex
64	3460110	Bearing	1	
65	1300230	Ring seal	1	
66	480900	Ring circlip Øi 35	1	
67	3460160	Shaft marked DT	1	AR 120bp / LFP C
	3460170	Shaft marked DQ	1	AR 140bp / LFP C
69	3460250	Shaft marked DU	1	AR 120bp / LFP SP
	3460260	Shaft marked DV	1	AR 140bp / LFP SP
70	961781	Bearing	1	
71	3120160	Ring seal	1	
72	961790	Ring circlip Øi 68	1	
73	650542	Gasket	1	Nylon
74	650250	Key	1	
75	650300	Coupling	1	
76	961340	Washer	1	
77	680350	Screw TCEI M8x35	1	T90*
78	1200521	Spacer	3	
79	380241	Washer	3	
	392110	Washer	3	SS LFP
80	680350	Screw TCEI M8x35	3	T90*
	680351	Screw TCEI M8x35	3	SS T90* LFP
81	651350	Gasket	1	
82	3469002	Complete Inlet assembly	1	AR120bp

(a) Screw Shank piston side with Loxeal 83-21 Strong threadlock (Green) and lubricate the shank side plate with Molykote grease 1000.  
 (b) Screw the valve until it bottoms on the elbow.  
 (c) Attention! Assemble with grease PG54 between the plate and the membrane.  
 \*Torque: in-lbs +/- 10%


<b>34739</b>	<b>LFP120 O'RING KIT</b>			
	<b>Pos.</b>	<b>Qty</b>	<b>Pos.</b>	<b>Qty</b>
	4	1	44	1
	6	1	52	2
	8	1	59	1
	11	24	61	1
	17	1	81	1
	41	1		



<b>57489</b>	<b>OIL QUART (32oz)</b>
CRANKCASE OIL CAPACITY 28 oz.	

<b>55575</b>	<b>LFP120 VALVE KIT</b>						
	<table border="1"> <tr> <th>Pos.</th> <th>Qty</th> </tr> <tr> <td>26</td> <td>6</td> </tr> <tr> <td>28</td> <td>6</td> </tr> </table>	Pos.	Qty	26	6	28	6
Pos.	Qty						
26	6						
28	6						

<b>55572</b>	<b>LFP120 BLUE FLEX DIAPHRAGM KIT</b>
--------------	---------------------------------------

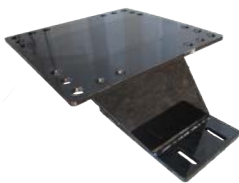
<b>55574</b>	<b>LFP120 VITON DIAPHRAGM KIT</b>										
	<table border="1"> <tr> <th>Pos.</th> <th>Qty</th> </tr> <tr> <td>26</td> <td>6</td> </tr> <tr> <td>36</td> <td>3</td> </tr> <tr> <td>52</td> <td>2</td> </tr> <tr> <td>54</td> <td>1</td> </tr> </table>	Pos.	Qty	26	6	36	3	52	2	54	1
Pos.	Qty										
26	6										
36	3										
52	2										
54	1										

**NEW STYLE**

GX5 LFP160 COMPONENTS		
PN#		DESCRIPTION
A	53692	GX5BASEMOUNT
B	38387	GX5 EATON ORBIT (MOTOR ONLY)
	53930	GX5PWMHYDVALVE 10 (PWM ONLY)
	53931	GX5 PWM HYD VALVE W/ MOTOR KIT
	31287	HYD FLANGE KIT FOR LFP160
C	37707	GX5 LFP160 - PUMP ONLY
D	52150	SPIKE VALVE BRACKET (QTY 2)
E	51331	1" MANIFOLD COUPLING (QTY 2)
F	33132	1" WORM SCREW CLAMP
	50016	3/4" EPDM GASKET
G	51347	1" MANIFOLD TEE
H	38254	1" MANIFOLD X 3/4 HB ELBOW
	308	3/4" BLACK HOSE
I	51344	1" PLUG WITH 1/4" FPT
	32361	1/4" HEX PLUG (OPTION)
	33812	160 PRESSURE GAUGE (NOT SHOWN)**
J	50863	3/4 THREAD X 3/4 HB
K	51366	2" PORT x 1" FLANGED TEE (QTY 4)
L	53629	100 PSI PRESSURE RELIEF VALVE

PN#		DESCRIPTION
M	38267	2" WORM SCREW CLAMP
	38269	2" FLANGE GASKET
N	52198	1-1/2 T-BOLT CLAMP (2 REQ'D)
	53480	1-1/2 SUCTION HOSE (@ 4FT)
O	38424	2" SPIRAL BLACK HOSE (@ 4FT)
	30230	2" T-BOLT CLAMP
P	51315	1" FLANGE X 3/4" PIPE THREAD
Q	39456	3/4" RELIEF VALVE
R "OUT"	29141	1.5" ELBOW
	55761	RING NUT
	55915	O RING FOR LFP160 (QTY 2)
S "IN"	32206	2" ELBOW
	32701	RING NUT
	56625	O RING FOR LFP160 (QTY 2)
T	32409	2" MANIFOLD X 1.5" HB ELBOW
U	260	QC1
	19920	EVA14 @ 3"
	19848	1/4 SHUTOFF (BLEEDER VALVE)

**OPTIONAL MOUNTING GX5 MOUNTING BRACKETS**



PN#54586 CASE IH/JD bracket to mount the GX5 on the draw bar (Bracket can fit draw bars 8" to 10" wide)

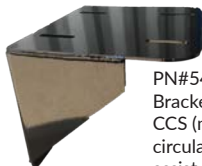


PN#53678 GX5 bracket for JD planter front fold for 12 & 16 row planters - will NOT fit DB models.

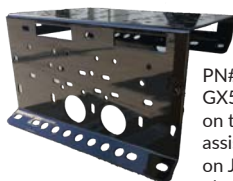


PN#53957 GX5 Bracket assembly for JD 1770 NT front fold 24 row planter - will NOT fit DB models.

PN#54898 Universal mounting bracket

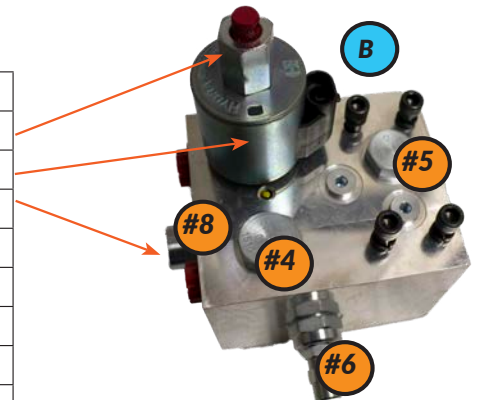


PN#54397 GX5 Bracket for JD1720 CCS (mounted to circular plate on lift assist frame)



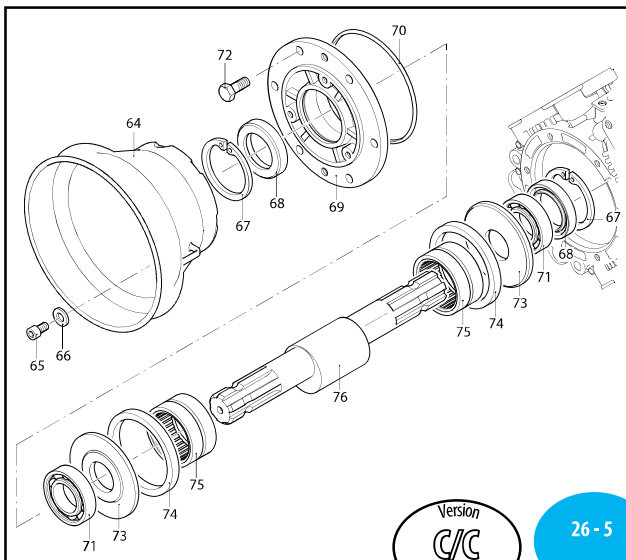
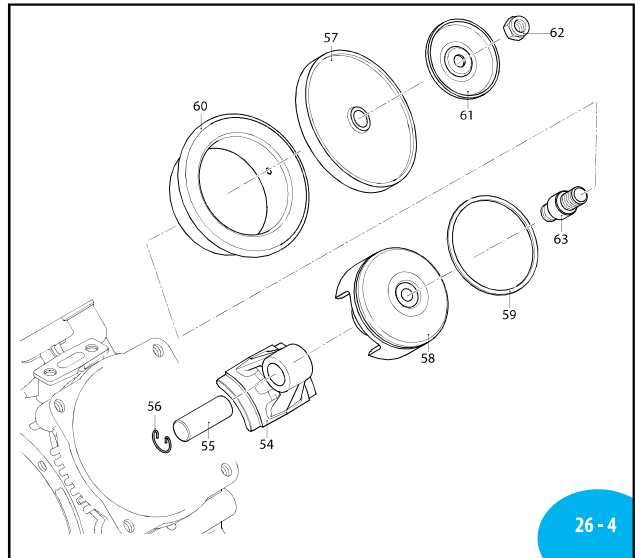
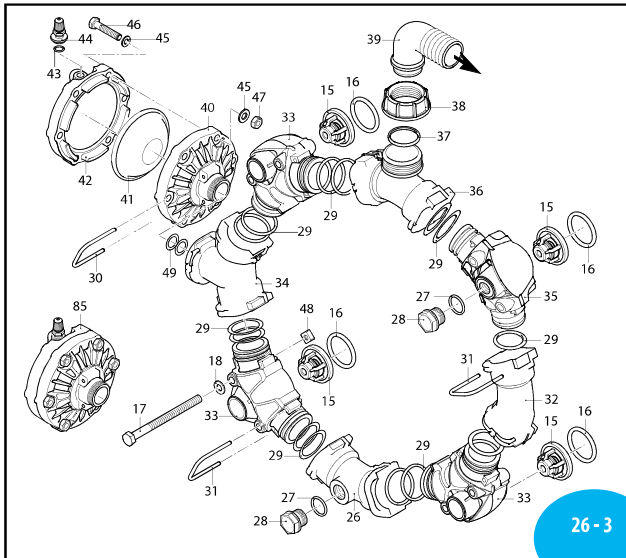
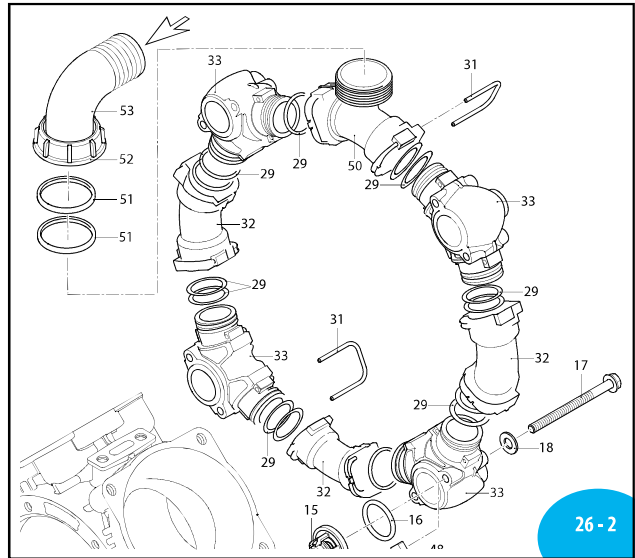
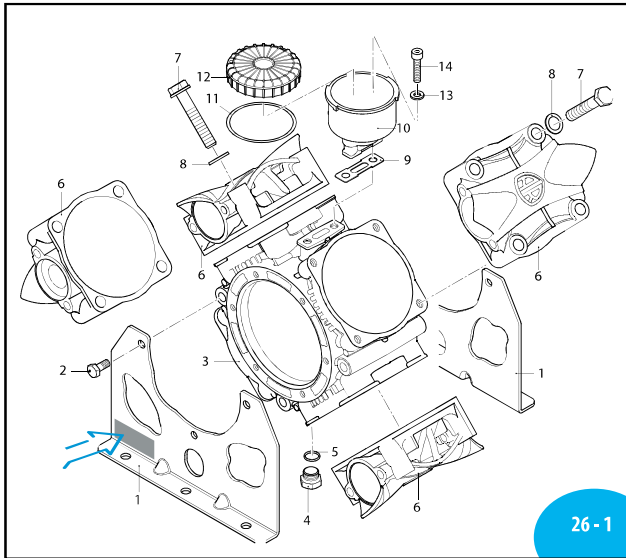
PN#53968 GX5 Bracket for on the rear lift assist wheels on JD1790 planter.

PN#	DESCRIPTION
55493	GX5MANUOVERRIDEVALVE
55165	GX5PWMSOLENOID
54472	160 PSI HYD CARTRIDGE
54490	CARTRIDGE SEAL KIT FOR GX5 PWM #8
54488	CARTRIDGE SEAL KIT FOR GX5 PWM #5
54487	CARTRIDGE SEAL KIT FOR GX5 PWM #4
54489	CARTRIDGE SEAL KIT FOR GX5 PWM #6
55095	MOTOR SEAL KIT
54562	O'RING (BETWEEN MOTOR & PWM - QTY 2)

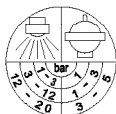




**GX5 LFP160 PUMP BREAK DOWN**



LFP/D160 - 4 DIAPHRAGMS	
FERTILIZER FLOW (GPM)	HYDRAULIC OIL FLOW (GPM)
10	3.0
20	6.0
30	9.1
35	10.6
BASED ON A 30FT TOOL BAR	



2154700 Air chamber decal

Pos	Code	Description	Qty	Note
1	761031	Foot	2	
2	160673	Screw TE M10x25	6	SS T354*
3	761010	Pump body	1	
4	880530	Plug 3/8" G	1	T177*
5	740290	O-ring Ø 14x1.78	1	
6	3460020	Head	4	
7	750072	Screw TE M12x70	16	SS T309*
8	390092	Washer	16	SS
9	750040	Gasket	1	
10	751170	Tank	1	
11	1980340	O-ring Ø 83.8x2.62	1	
12	751183	Cap Red	1	
13	380243	Washer	2	
14	680350	Screw TCEI M8x35	2	T88*
15	2429051	Valve AISI 316L	8	
16	3460380	Gasket	8	Viton
17	3460201	Screw TE M8x100	16	SS T88*
18	390315	Washer	16	SS
26	761240	Manifold section	1	
27	1150641	O-ring Ø 20x24x2.62	2	Viton
28	3460490	Plug 1/2" G	2	T88*
29	230061	O-ring Ø 34.52x3.53	32	Viton
30	3460210	Fork	1	
31	761250	Fork	16	
32	761200	Manifold section	4	
33	761190	Manifold section	7	
34	761230	Manifold section air chamber	1	
35	761191	Manifold section SRV port	1	
36	761220	Manifold section discharge 1-1/2" G	1	
37	1880460	O-ring Ø 29x3	1	Viton
38	750670	Ring nut 1-1/2" G	1	
39	3040160	Elbow Ø 35	1	
40	3460180	Semi air chamber lower	1	Nylon
41	800192	Diaphragm air chamber	1	BlueFlex™
42	3460190	Semi air chamber upper	1	Nylon
43	650542	Gasket	1	
44	180020	Air valve	1	T22*
45	390315	Washer	12	SS
46	621782	Screw TE M8x40	6	SS T177*
47	3120260	Nut M8	6	SS T177*
48	3120510	Nut framework M8	16	SS
49	880311	O-ring Ø 26.65x2.62	2	Viton
50	761210	Manifold section inlet 2" G	1	
51	3040471	O-ring Ø 39.34x2.62	2	Viton
52	3040450	Ring nut 2" G	1	
53	3040440	Elbow Ø 50	1	
54	760140	Connecting-rod	4	
55	160700	Pin	4	
56	160691	Ring Ø1 18	8	
57	550081	Diaphragm	4	BlueFlex™
58	750122	Piston Ø 80	4	
59	500260	Piston ring	4	

Pos	Code	Description	Qty	Note
60	750115	Sleeve	4	AR160LFP
61	751251	Wobble plate	4	
62	2240670	Nut M10 AISI 316L	4	T221*
63	2240101	Hub pin AISI 316L	4	(a) T265*
64	1500470	Shaft protection	1	
65	850252	Screw TCEI M8x12	3	SS T88*
66	390315	Washer	3	SS
67	200390	Ring Øi 62	2	
68	160740	Ring seal	2	
69	680020	Support	1	
70	851360	O-ring Ø 120.32x2.62	1	
71	230350	Bearing	1	
72	160673	Screw TE M10x25	6	SS T309*
73	540040	Plate	2	
74	750130	Ring piston rod	2	
75	750090	Bearing	2	
76	750174	Shaft C/C m-AV	1	AR160LFP
85	43067	Air chamber LFP BlueFlex™	1	

(a) Screw Shank piston side with Loxal 83-21 Strong threadlock (Green) and lubricate the shank side plate with Molykote grease 1000.

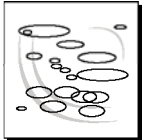
\* Torque: in-lbs +/- 10%


**Diaphragm Pump Oil**

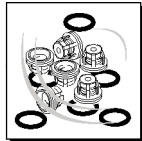
Specifically formulated for GX5 Diaphragm pumps.

- Advanced Lubrication Technology
- BlueFlex Diaphragm compatible
- SAE 30 Non-Detergent Oil

57489	OIL QUART (32oz)
CRANKCASE OIL CAPACITY 56 oz.	

<b>56155</b>	<b>LFP160 O-RING KIT</b>																											
<table border="1"> <thead> <tr> <th>Pos.</th> <th>Qty</th> <th>Pos.</th> <th>Qty</th> </tr> </thead> <tbody> <tr><td>5</td><td>2</td><td>61</td><td>1</td></tr> <tr><td>9</td><td>8</td><td>65</td><td>2</td></tr> <tr><td>16</td><td>1</td><td>69</td><td>1</td></tr> <tr><td>21</td><td>1</td><td>74</td><td>1</td></tr> <tr><td>25</td><td>2</td><td></td><td></td></tr> <tr><td>53</td><td>1</td><td></td><td></td></tr> </tbody> </table>	Pos.		Qty	Pos.	Qty	5	2	61	1	9	8	65	2	16	1	69	1	21	1	74	1	25	2			53	1	
Pos.	Qty	Pos.	Qty																									
5	2	61	1																									
9	8	65	2																									
16	1	69	1																									
21	1	74	1																									
25	2																											
53	1																											

<b>70000</b>	<b>LFP160 BLUEFLEX DIAPHRAGM KIT</b>								
	<table border="1"> <thead> <tr> <th>Pos.</th> <th>Qty</th> </tr> </thead> <tbody> <tr><td>9</td><td>8</td></tr> <tr><td>30</td><td>4</td></tr> <tr><td>52</td><td>1</td></tr> </tbody> </table>	Pos.	Qty	9	8	30	4	52	1
Pos.	Qty								
9	8								
30	4								
52	1								

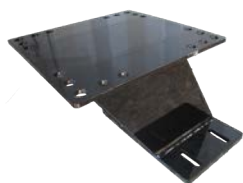
<b>56154</b>	<b>LFP160 VALVE KIT</b>						
	<table border="1"> <thead> <tr> <th>Pos.</th> <th>Qty</th> </tr> </thead> <tbody> <tr><td>15</td><td>8</td></tr> <tr><td>16</td><td>8</td></tr> </tbody> </table>	Pos.	Qty	15	8	16	8
Pos.	Qty						
15	8						
16	8						

**NEW STYLE**

GX5 D250 COMPONENTS		
PN#		DESCRIPTION
A	53692	GX5BASEMOUNT
B	38387	GX5 EATON ORBIT (MOTOR ONLY)
	53930	GX5PWMHYDVALVE 10 (PWM ONLY)
	53931	GX5 PWM HYD VALVE W/ MOTOR KIT
	31287	HYD FLANGE KIT FOR D250
C	27487	GX5 D250 - PUMP ONLY
D	52150	SPIKE VALVE BRACKET (QTY 2)
E	51331	1" MANIFOLD COUPLING (QTY 2)
F	33132	1" WORM SCREW CLAMP
	50016	3/4" EPDM GASKET
G	51347	1" MANIFOLD TEE
H	38254	1" MANIFOLD X 3/4 HB ELBOW
	308	3/4" BLACK HOSE
I	51344	1" PLUG WITH 1/4" FPT
	32361	1/4" HEX PLUG (OPTION)
	33812	160 PRESSURE GAUGE (NOT SHOWN)**
J	50863	3/4 THREAD X 3/4 HB
K	51366	2" PORT x 1" FLANGED TEE (QTY 4)
L	53629	100 PSI PRESSURE RELIEF VALVE

PN#		DESCRIPTION
M	38267	2" WORM SCREW CLAMP
	38269	2" FLANGE GASKET
N	52198	1-1/2 T-BOLT CLAMP (2 REQ'D)
	53480	1-1/2 SUCTION HOSE (@ 4FT)
O	38424	2" SPIRAL BLACK HOSE (@ 4FT)
	30230	2" T-BOLT CLAMP
P	51315	1" FLANGE X 3/4" PIPE THREAD
Q	39456	3/4" RELIEF VALVE
R "OUT"	55795	1.5" ELBOW
	55761	RING NUT
	29232	O RING FOR D250 (QTY 2)
S "IN"	29685	2" ELBOW
	29683	RING NUT
	29684	O RING FOR D250 (QTY 2)
T	32409	2" MANIFOLD X 1.5" HB ELBOW
U	260	QC1
	19920	EVA14 @ 3"
	19848	1/4 SHUTOFF (BLEEDER VALVE)

**OPTIONAL MOUNTING GX5 MOUNTING BRACKETS**



PN#54586 CASE IH/JD bracket to mount the GX5 on the draw bar (Bracket can fit draw bars 8" to 10" wide)

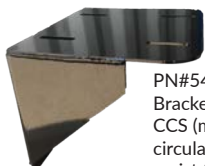


PN#53678 GX5 bracket for JD planter front fold for 12 & 16 row planters - will NOT fit DB models.

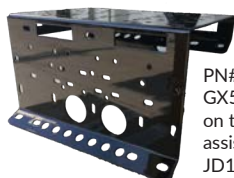


PN#53957 GX5 Bracket assembly for JD 1770 NT front fold 24 row planter - will NOT fit DB models.

PN#54898 Universal mounting bracket

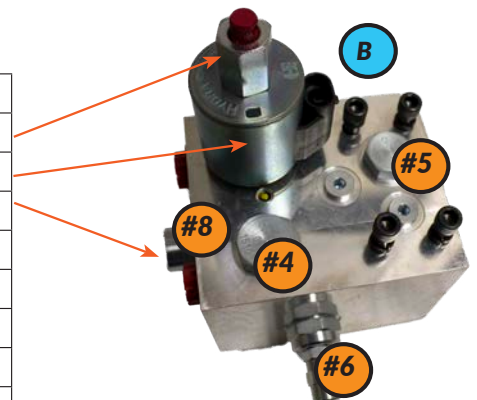


PN#54397 GX5 Bracket for JD1720 CCS (mounted to circular plate on lift assist frame)

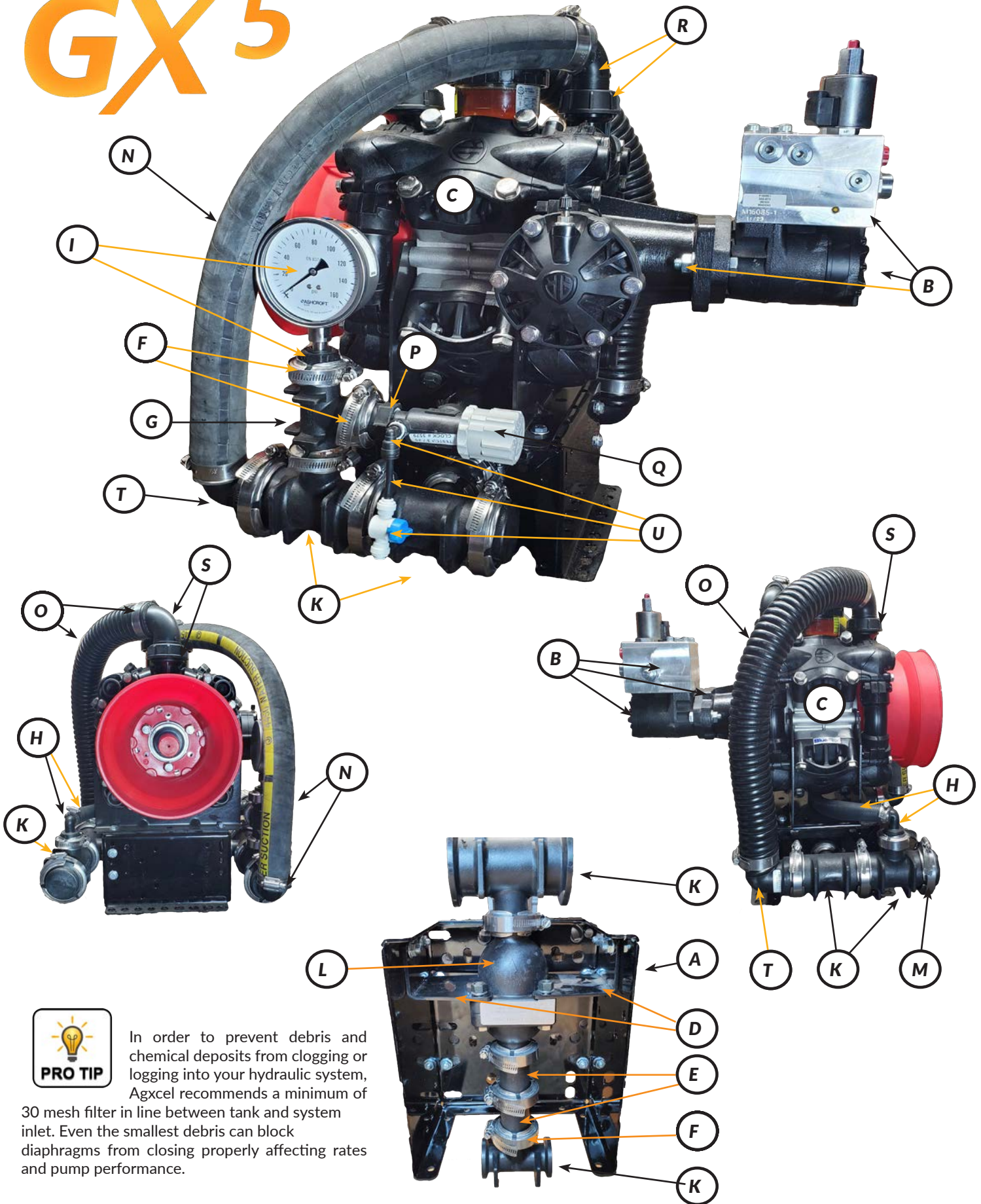


PN#53968 GX5 Bracket for on the rear lift assist wheels on JD1790 planter.

PN#	DESCRIPTION
55493	GX5MANUALOVERRIDEVALVE
55165	GX5PWMSOLENOID
54472	160 PSI HYD CARTRIDGE
54490	CARTRIDGE SEAL KIT FOR GX5 PWM #8
54488	CARTRIDGE SEAL KIT FOR GX5 PWM #5
54487	CARTRIDGE SEAL KIT FOR GX5 PWM #4
54489	CARTRIDGE SEAL KIT FOR GX5 PWM #6
55095	MOTOR SEAL KIT
54562	O'RING (BETWEEN MOTOR & PWM - QTY 2)



# GX5



In order to prevent debris and chemical deposits from clogging or logging into your hydraulic system, Agxcel recommends a minimum of

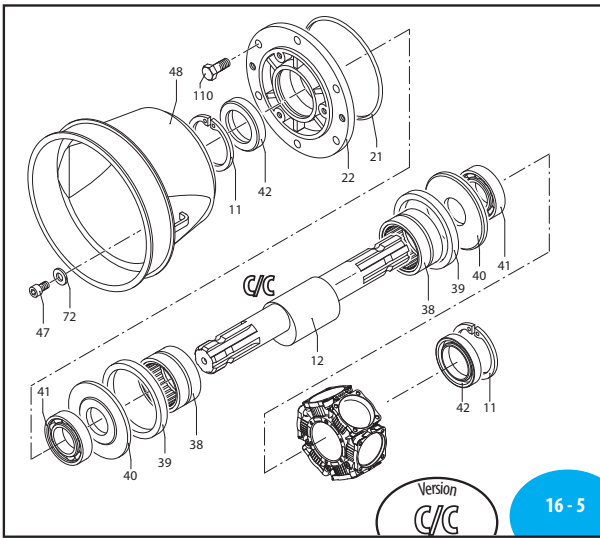
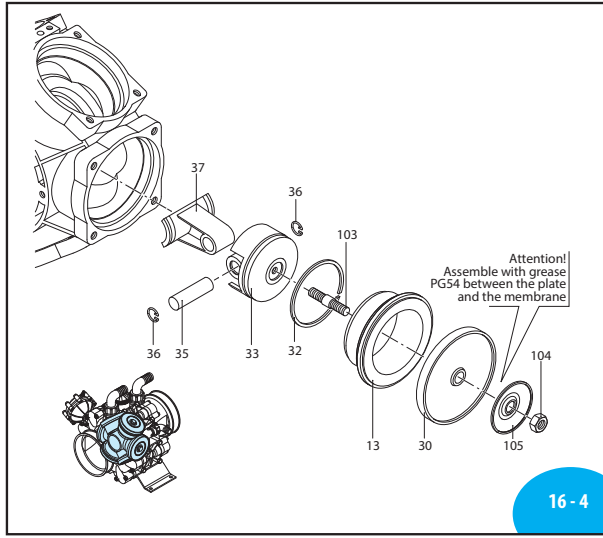
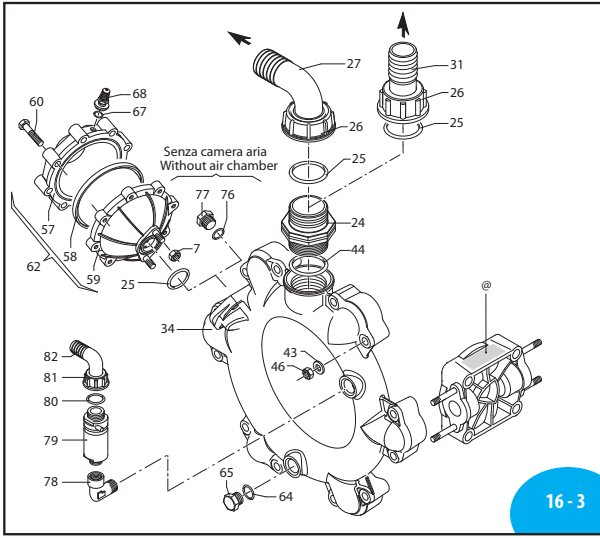
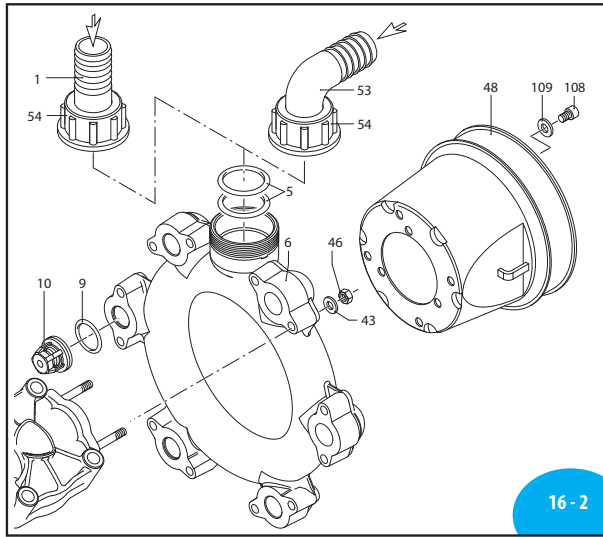
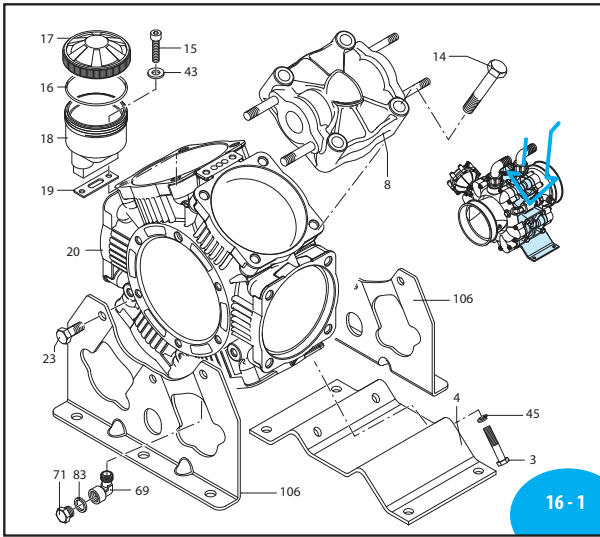
30 mesh filter in line between tank and system inlet. Even the smallest debris can block diaphragms from closing properly affecting rates and pump performance.

**E** [INFO@AGXCEL.COM](mailto:INFO@AGXCEL.COM)

**P** 877.218.1981

**W** [WWW.AGXCEL.COM](http://WWW.AGXCEL.COM)

**GX5 D250 PUMP BREAK DOWN**



D250 - 6 DIAPHRAGMS	
FERTILIZER FLOW (GPM)	HYDRAULIC OIL FLOW (GPM)
20	3.8
30	5.7
40	7.7
50	9.6
55	10.5
BASED ON A 30FT TOOL BAR	



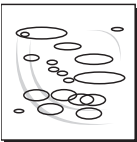
2154700 Air chamber decal

Pos	Code	Description	Qty	Note
1	750870	Hose tail 2"	1	Optional
	750730	Hose tail Ø 60	1	Optional
3	750071	Screw TE M12x70	4	Geomet T445*
4	750200	Foot	1	
5	750740	O-ring Ø 56.74x3.53	2	
6	751070	Line suction	1	
7	380242	Nut M8	2	Geomet T220*
8	751350	Head black plasticized	6	
9	680070	O-ring Ø 31.5x4.25	12	
10	759051	Valve	12	
11	200390	Ring circlip Øi 62	2	
	750176	Shaft marked AZ	1	AR 215 bp C/C
	750170	Shaft marked AU	1	AR 250 bp C/C
	750174	Shaft marked AV	1	AR 280 bp C/C
	750117	Sleeve	6	AR 215 bp C/C
	750110	Sleeve	6	AR 250 bp C/C
	750115	Sleeve	6	AR 280 bp C/C
14	750061	Screw TE M12x65	24	Geomet T445*
15	680350	Screw TCEI M8x35	2	T90*
16	1040060	O-ring Ø 72.69x2.62	1	
	750051	Plug green	1	AR 215 bp
	1800060	Plug black	1	AR 250 bp
	750050	Plug red	1	AR 280 bp
18	750030	Tank	1	
19	750040	Gasket	1	
20	751300	Pump body	1	
21	851360	O-ring Ø 120.32x2.62	1	
22	680020	Support	1	
23	160672	Screw TE M10x25	6	Geomet T355*
24	751130	Fitting 1 1/2" G M-M	1	T90*
25	390290	O-ring Ø 29x3	2	
26	750670	Ring nut 1 1/2" G	1	
27	750660	Elbow 1 1/2"	1	
28	2420181	Support	1	
29	650640	Screw TCEI M10x25	6	Geomet T310*
	550081	Diaphragm	6	BlueFlex
	550080	Diaphragm	6	NBR
	550084	Diaphragm	6	Viton
	550085	Diaphragm	6	Desmopan
	550086	Diaphragm	6	HPDS
31	760940	Hose tail Ø 35	1	
32	500260	Piston ring	6	
33	750122	Piston Ø 80	6	
34	751080	Line manifold	1	
35	160700	Pin	6	
36	160691	Ring circlip Øi 18	12	
37	750140	Connecting-rod	6	
38	750090	Bearing	2	
39	750130	Ring connecting rod	2	
40	540040	Plate	2	
41	751280	Bearing	2	
42	160740	Ring seal	2	


Pos	Code	Description	Qty	Note
43	380243	Washer	26	Geomet
44	751140	O-ring Ø 47.22x3.53	1	
45	250143	Washer	4	Geomet
46	380242	Nut M8	24	Geomet T180*
47	850251	Screw TCEI M8x12	3	Geomet T90*
48	1500470	Shield	1	
	750850	Elbow 2"	1	AR215bp-AR250bp
	750720	Elbow Ø 60	1	AR 280 bp
54	750710	Ring nut 2" 1/2 G	1	
57	620232	Semi air chamber upper	1	Black
	550194	Diaphragm air chamber	1	Blueflex
	550190	Diaphragm air chamber	1	NBR
	550192	Diaphragm air chamber	1	Viton
	550193	Diaphragm air chamber	1	HPDS
59	680180	Semi air chamber lower	1	
60	621781	Screw TE M8x40	8	Geomet T220*
	629230	Air chamber BlueFlex*	1	
	629216	Air chamber NBR	1	
64	180101	O-ring Ø 17.5x2	1	
65	330173	Plug 1/2" G	1	Geomet T180*
67	650542	Gasket	1	
68	180020	Air valve	1	T25*
69	750370	Fitting 1/4" G M-F	1	
71	880581	Plug 1/4" G	1	T180*
72	390314	Washer	3	Geomet
76	740290	O-ring Ø 14x1.78	1	
77	880530	Plug 3/8" G	1	T180*
78	881560	Fitting 1/2" G M-F	1	
79	1609000	Safety valve	1	290 PSI
80	880831	O-ring Ø 15.54x2.62	1	Viton
81	550450	Ring nut 3/4" G	1	
82	550460	Elbow Ø 18	1	
83	880820	Washer	1	
84	620330	Ring circlip Øi 65	1	
85	1800090	Ring seal	1	
86	230310	Bearing	1	
87	760510	Plate	1	
103	2240100	Hub pin	6	T265*
104	2240110	Nut M10 SS	6	SS T220*
105	751250	Wobble plate	6	
106	751291	Foot	2	
108	820673	Screw TCEI M10x16	3	Geomet T90*
109	320621	Washer	3	Geomet
110	160672	Screw TE M10x25	6	Geomet T310*
111	1300280	Spacer	3	
112	760360	Guard	1	
113	320621	Washer	3	Geomet
114	650640	Screw TCEI M10x25	3	Geomet T90*

\* Torque: in-lbs +/- 10%

<b>29903</b>	<b>D250 O-RING KIT</b>	<table border="1"> <thead> <tr> <th>Pos.</th> <th>Qty</th> </tr> </thead> <tbody> <tr><td>5</td><td>2</td></tr> <tr><td>9</td><td>12</td></tr> <tr><td>16</td><td>1</td></tr> <tr><td>21</td><td>1</td></tr> <tr><td>25</td><td>2</td></tr> <tr><td>44</td><td>1</td></tr> <tr><td>64</td><td>1</td></tr> <tr><td>76</td><td>1</td></tr> <tr><td>80</td><td>2</td></tr> </tbody> </table>	Pos.	Qty	5	2	9	12	16	1	21	1	25	2	44	1	64	1	76	1	80	2
Pos.	Qty																					
5	2																					
9	12																					
16	1																					
21	1																					
25	2																					
44	1																					
64	1																					
76	1																					
80	2																					

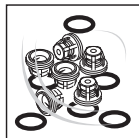


<b>37732</b>	<b>D250 BLUEFLEX DIAPHRAGM KIT</b>	<table border="1"> <thead> <tr> <th>Pos.</th> <th>Qty</th> </tr> </thead> <tbody> <tr><td>9</td><td>12</td></tr> <tr><td>30</td><td>6</td></tr> <tr><td>58</td><td>1</td></tr> </tbody> </table>	Pos.	Qty	9	12	30	6	58	1
Pos.	Qty									
9	12									
30	6									
58	1									



<b>57489</b>	<b>OIL QUART (32oz)</b>
CRANKCASE OIL CAPACITY 98 oz.	

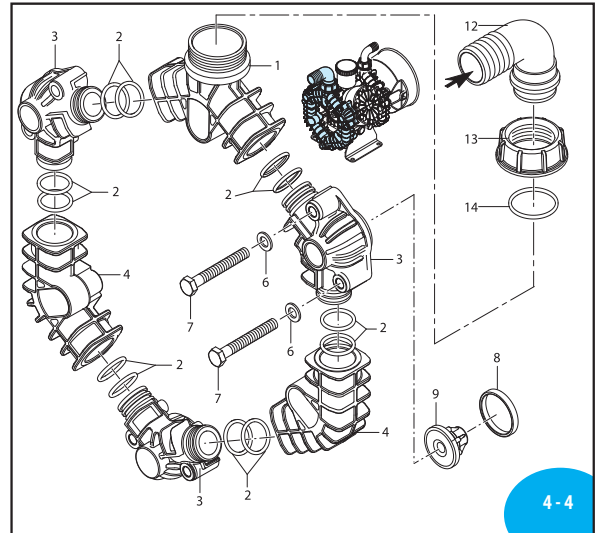
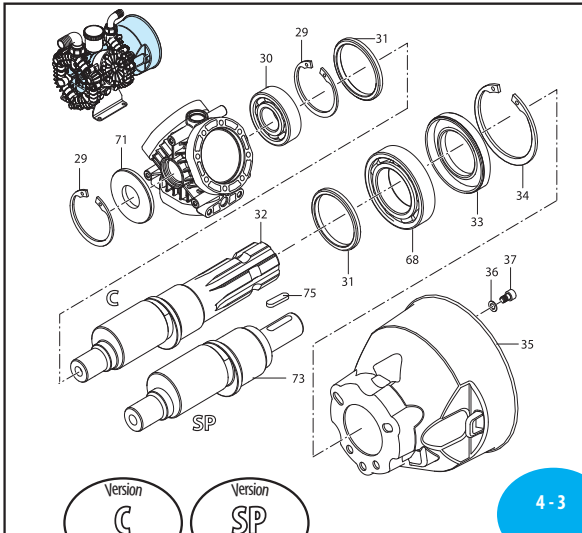
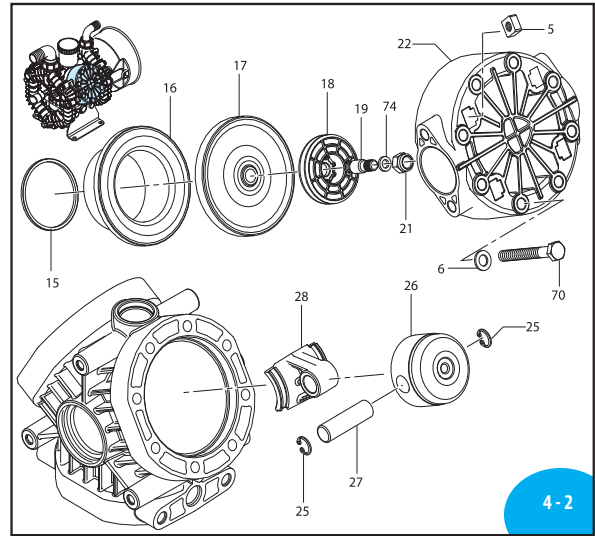
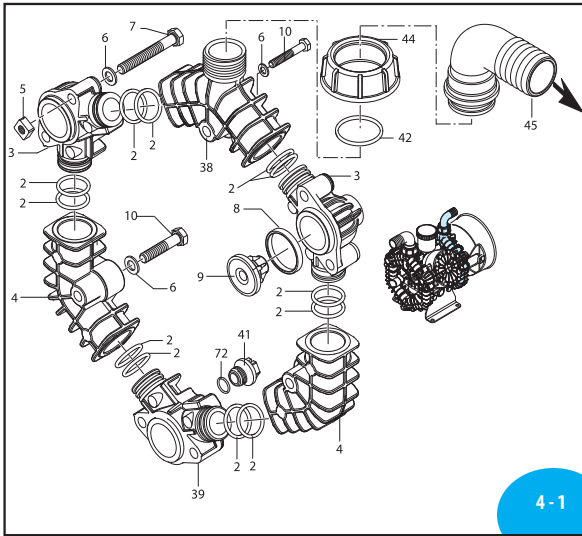
<b>29930</b>	<b>D250 VALVE KIT</b>	<table border="1"> <thead> <tr> <th>Pos.</th> <th>Qty</th> </tr> </thead> <tbody> <tr><td>9</td><td>12</td></tr> <tr><td>10</td><td>12</td></tr> </tbody> </table>	Pos.	Qty	9	12	10	12
Pos.	Qty							
9	12							
10	12							



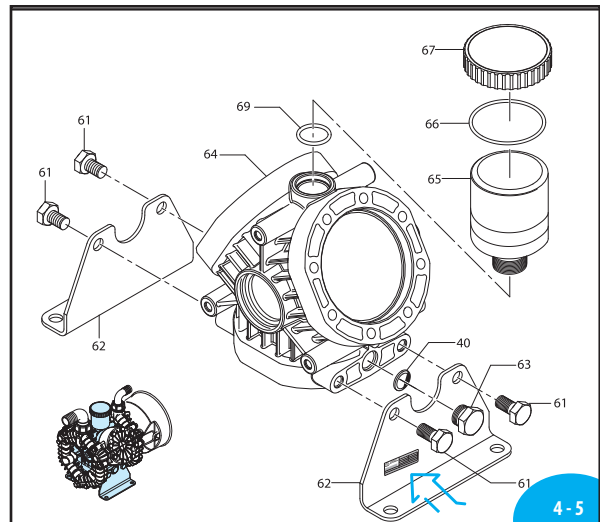
**RETIRED**

The LFP45 pump has been retired from the Agxcel Hydraulic line-up.  
 \*\*Replacement parts for the LFP45 are available to order.\*

**GX5 LFP45  
 PUMP BREAK DOWN**



LFP 45/BP45 - 3 DIAPHRAGMS	
FERTILIZER FLOW (GPM)	HYDRAULIC OIL FLOW (GPM)
3	.9
7	2.0
10	2.8
BASED ON A 30FT TOOL BAR.	




Pos	Code	Description	Qty	Note
1	3120410	Manifold suction	1	
2	720030	O-ring Ø 22.22x2.62	24	AR45bp
	720031	O-ring Ø 22.22x2.62	24	Viton AR45LFP
3	3120050	Manifold	5	
4	3120060	Manifold	4	
5	3120510	Nut M8	12	SS
6	3120761	Washer	42	Z/B AR45bp
	3120760	Washer	42	SS AR45LFP
7	3120251	Screw TE M8x60	12	T90* AR45bp
	3120250	Screw TE M8x60	12	SS T90* AR45LFP
8	3120230	Gasket	6	AR45bp
	3120680	Gasket	6	Viton AR45LFP
9	3129051	Complete valve	6	AR45LFP
	3129050	Complete valve	6	AR45bp
10	621782	Screw TE M8x40	6	SS T90* AR45LFP
	621780	Screw TE M8x40	6	T90* AR45bp
12	751200	Elbow 1 1/4"	1	
13	750670	Ring nut 1 1/2" G	1	
14	1880460	O-ring Ø 29x3	1	Viton AR45LFP
	390290	O-ring Ø 29x3	1	AR45bp
15	3120130	Piston ring	3	
16	3120090	Sleeve	3	
17	3120080	Diaphragm	3	NBR AR45bp
	3120082	Diaphragm	3	BlueFlex™ AR45LFP
	3120081	Diaphragm	3	Viton
	3120085	Diaphragm	3	Desmopan
18	3120120	Plate	3	
19	3120101	Hub pin AISI 316L	3	T220* (a) AR45LFP
	3120100	Hub pin AISI 316L	3	T220* (a) AR45bp
21	3120790	Nut M8 AISI 304	3	T180* (a) AR45LFP
21	3120110	Nut M8 AISI 304	3	SS T180* AR45bp
22	3120020	Head	3	
25	1880450	Ring circlip Ø1 14	6	
26	3120070	Piston Ø 54	3	
27	380300	Pin	3	
28	3120180	Connecting-rod	3	
29	1460490	Ring circlip Ø1 47	2	
30	380230	Bearing	1	
31	1300120	Ring connecting rod	2	
32	3120500	Shaft marked DD	1	AR45bp/LFP C
33	3120160	Ring seal	1	
34	961790	Ring circlip Ø1 68	1	
35	3240290	Shield	1	
36	320620	Washer	4	AR45bp
37	820670	Screw TCEI M10x16	4	T90* AR45bp
38	3120380	Manifold	1	
38	3120330	Manifold for GS25 Controller	1	Not Shown
39	3120051	Line	1	

Pos	Code	Description	Qty	Note
40	740290	O-ring Ø 14x1.78	1	
41	3120690	Plug	1	T15*
42	1140450	O-ring Ø 20.24x2.62	1	AR45bp
	1140451	O-ring Ø 20.24x2.62	1	Viton AR45LFP
44	3120440	Ring nut 1" G	1	
45	3120460	Elbow 1"	1	
61	620342	Screw TE M10x20	4	SS T265* AR45LFP
	620340	Screw TE M10x20	4	T265* AR45bp
62	3120140	Foot	2	
63	880530	Plug 3/8" G	1	T180*
64	3120010	Pump body	1	
65	3120240	Tank	1	T180*
66	650920	O-ring Ø 53.65x2.62	1	
67	1040320	Plug red	1	
68	961780	Bearing	1	
69	720030	O-ring Ø 22.22x2.62	1	
70	3120271	Screw TE M8x65	24	SS T90* AR45LFP
	3120270	Screw TE M8x65	24	T90* AR45bp
71	3120640	Ring seal	1	
72	2840891	O-ring Ø 14x2	1	Viton AR45LFP
	2840890	O-ring Ø 14x2	1	AR45bp
73	3120170	Shaft marked DL	1	AR45bp/LFP SP
74	3120760	Washer	3	SS
75	2280950	Key	1	(d)
76	3129013	Complete Discharge manifold	1	AR45bp-SP
77	3129015	Complete inlet manifold	1	AR45bp
78	3129000	Piston ConRod assembly	3	Not shown
79	43883	Complete Discharge manifold	1	AR45LFP-GCI Not shown
80	43821	Controller Assembly	1	AR45LFP-GCI Not shown

(a) Screw with Loxeal 83-21 thread lock STRONG  
 (d) Supplied in kit applications.

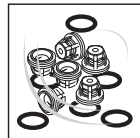
\* Torque: in-lbs +/- 10%

55564	LFP45/BP45 BLUE FLEX DIAPHRAGM KIT
55568	LFP 45 VITON DIAPHRAGM KIT



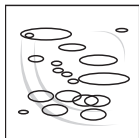
Pos.	Qty
8	6
17	3

55566	LFP 45 VALVE KIT
55565	BP 45 VALVE KIT



Pos.	Qty
8	6
9	6

37735	LFP 45 O-RING KIT	<table border="1" style="border-collapse: collapse;"> <thead> <tr> <th>Pos.</th> <th>Qty</th> </tr> </thead> <tbody> <tr><td>2</td><td>24</td></tr> <tr><td>14</td><td>1</td></tr> <tr><td>40</td><td>1</td></tr> <tr><td>42</td><td>1</td></tr> <tr><td>66</td><td>1</td></tr> <tr><td>69</td><td>1</td></tr> <tr><td>72</td><td>1</td></tr> </tbody> </table>	Pos.	Qty	2	24	14	1	40	1	42	1	66	1	69	1	72	1
Pos.	Qty																	
2	24																	
14	1																	
40	1																	
42	1																	
66	1																	
69	1																	
72	1																	
37760	BP 45 O-RING KIT																	



**Diaphragm Pump Oil**

Specifically formulated for GX5 Diaphragm pumps.

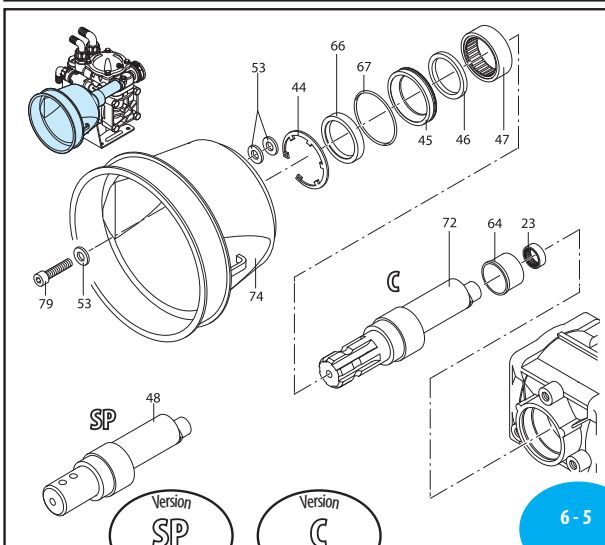
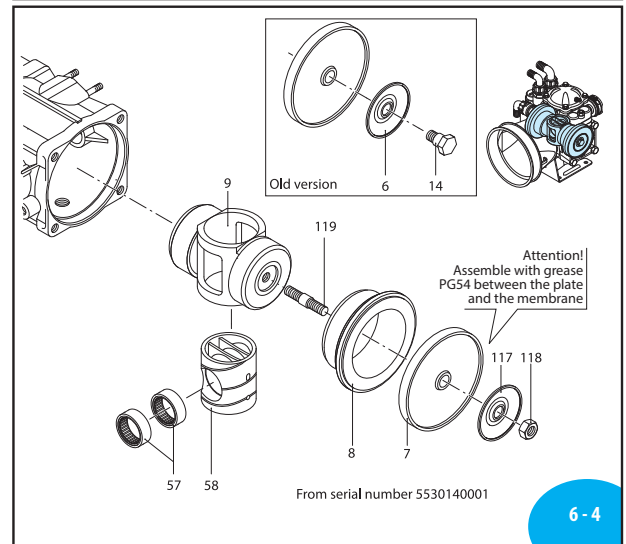
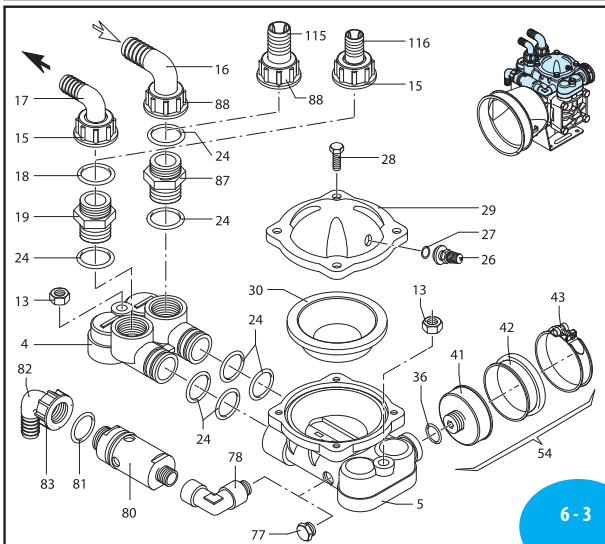
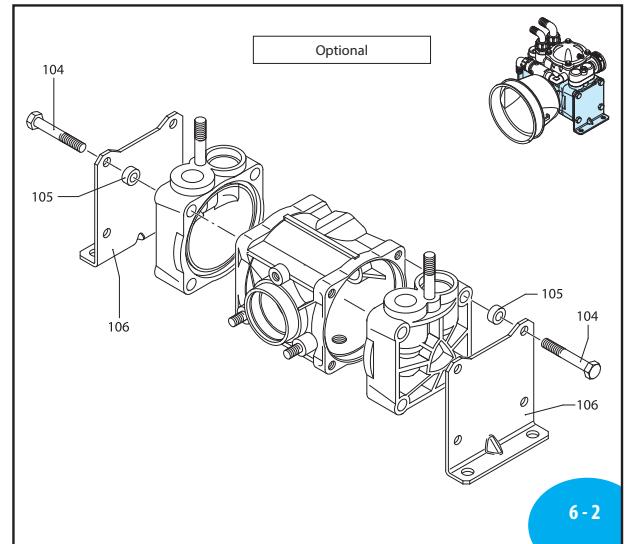
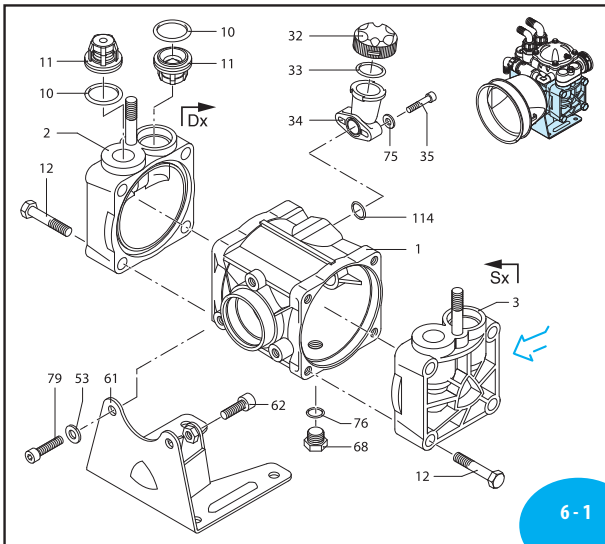
- Advanced Lubrication Technology
- BlueFlex Diaphragm compatible
- SAE 30 Non-Detergent Oil

57489	OIL QUART (32oz)
CRANKCASE OIL CAPACITY 13 oz.	

**RETIRED**

The D70 pump has been retired from the Agxcel Hydraulic line-up since 2018.  
 \*\*Replacement parts for the D70 are available to order\*

**GX5 D70  
 PUMP BREAK DOWN**



Diaphragm Pump Oil

Specifically formulated for GX5 Diaphragm pumps.

- Advanced Lubrication Technology
- BlueFlex Diaphragm compatible
- SAE 30 Non-Detergent Oil

57489	OIL QUART (32oz)
CRANKCASE OIL CAPACITY 24 oz.	

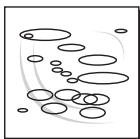
Pos	Code	Discription	Qty	Note
1	550011	Pump body	11	
2	550101	Head	1	
3	550102	Head	1	
4	550150	Fitting	1	
5	550180	Semi air chamber lower	1	
6	580370	Wobble plate hole Ø 14	2	(b)
	550080	Diaphragm	2	NBR
	550081	Diaphragm	2	BlueFlex™
	550084	Diaphragm	2	Viton
	550085	Diaphragm	2	Desmopan
	550086	Diaphragm	2	HPDS
8	550110	Sleeve	2	
9	550120	Piston Ø 75	1	
10	320030	O-ring Ø 31.5x4.5	4	90Sh
11	759051	Valve	4	
12	551040	Screw TE M10x55	8	Geomet T355*
13	180152	Nut M10	2	Geomet T355*
14	580360	Hub pin	2	T265* (b)
15	550880	Ring nut 1" G	1	
16	580040	Elbow 1 1/4"	1	
17	550370	Elbow 1"	1	
18	550350	O-ring Ø 23.81X2.62	1	
19	550340	Fitting 1" G M-M	1	
23	550310	Bushing	1	
24	390290	O-ring Ø 29x3	7	
26	550300	Air valve	1	T25*
27	650542	Gasket	1	
28	550680	Screw TE M8x20	4	Geomet T180*
29	550233	Semi air chamber upper	1	Black
	550190	Diaphragm air chamber	1	NBR
	550194	Diaphragm air chamber	1	BlueFlex™
	550192	Diaphragm air chamber	1	Viton
	550193	Diaphragm air chamber	1	HPDS
32	550052	Plug	1	black
33	550040	O-ring Ø 26.65x2.62	1	
34	550030	Tank	1	
35	850851	Screw TCEI M6x30	2	Geomet T90*
36	180101	O-ring Ø 17.5x2	1	
41	650661	Diaphragm holder	1	cataforesi
	650670	Diaphragm	1	NBR
	650671	Diaphragm	1	BlueFlex™
43	651670	Clamp	1	T25*
44	200391	Ring circlip Ø1 62	1	

Pos	Code	Discription	Qty	Note
45	550470	Bushing seal ring	1	
46	550070	Washer	1	
47	550060	Bushing	1	
48	550170	Shaft marked AL	1	SP
53	320621	Washer	5	Geomet
54	659209	Diaphragm	1	
57	550280	Bushing	2	
58	550140	Cylinder trolling piston	1	
61	580080	Foot	1	
62	540301	Screw TCEI M10x30	1	Geomet T355*
64	550160	Spacer	1	
66	550491	Ring seal	1	
67	650920	O-ring Ø 53.65x2.62	1	
68	880530	Plug 3/8" G	1	T180*
72	550173	Shaft marked AM	1	C
74	1500350	Shield	1	
75	550332	Washer	2	Geomet
76	740290	O-ring Ø 14x1.78	1	
77	330173	Plug 1/2" G	1	Geomet T180*
78	881560	Fitting 1/2" G M-F	1	
79	620472	Screw TCEI M10x20	3	Geomet T265*
80	1609000	Safety valve	1	
81	880831	O-ring Ø 15.54x2.62	1	Viton
82	550460	Elbow Ø 18	1	
83	550450	Ring nut 3/4" G	1	
87	450120	Fitting 1" G - 1" 1/4 G M-M	1	
88	550870	Ring nut 1" 1/4 G	1	
104	1300361	Screw TE M10x65	8	Geomet T355*
105	551030	Spacer	8	
106	551020	Foot	2	
114	180101	O-ring Ø 17.5x2	1	
115	580280	Hose tail 1 1/4"	1	optional
116	550210	Hose tail 1"	1	optional
117	580371	Plate hole Ø 10	2	(a)
118	2240110	Nut M10	2	SS T220* (a)
119	2240100	Stud	2	(a) T265*

(a) From serial number 5530140001.  
 (b) Up to serial number 5529149999.

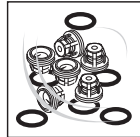
\* Torque: in-lbs +/- 10%

<b>29935</b>	<b>D70 O-RING KIT</b>
--------------	-----------------------



Pos.	Qty
10	4
18	1
24	7
27	1
33	1
36	1
67	1
76	1

<b>29934</b>	<b>D70 VALVE KIT</b>
--------------	----------------------




Pos.	Qty
10	4
11	4

The D70 pump has been retired from the Agxcel Hydraulic line-up. The newer LFP80 offer superior stability with three diaphragms, blue flex and interior components suitable for liquid, fertilizer and pesticides.

\*\*Replacement parts for the D70 are available to order.\*\*

<b>37703</b>	<b>D70 BLUEFLEX DIAPHRAGM KIT</b>
--------------	-----------------------------------



Pos.	Qty
7	2
10	4
30	1



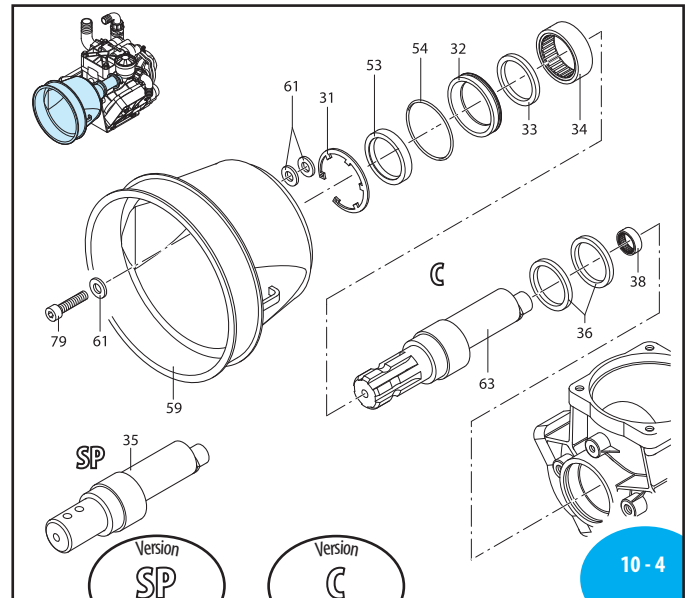
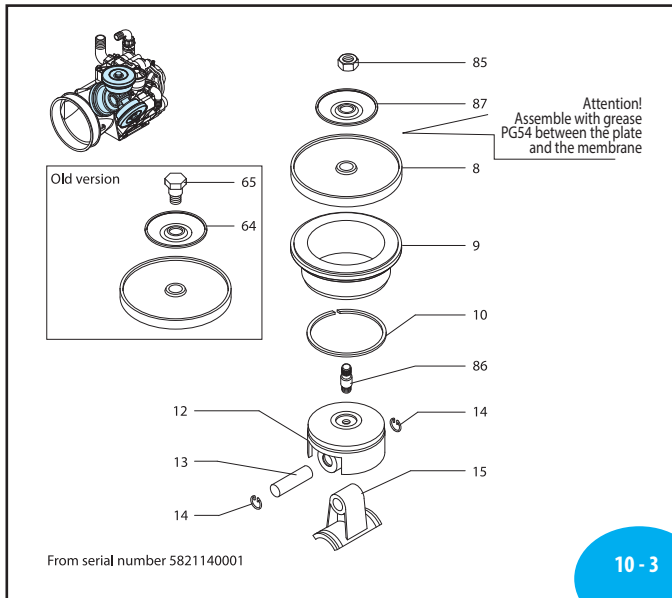
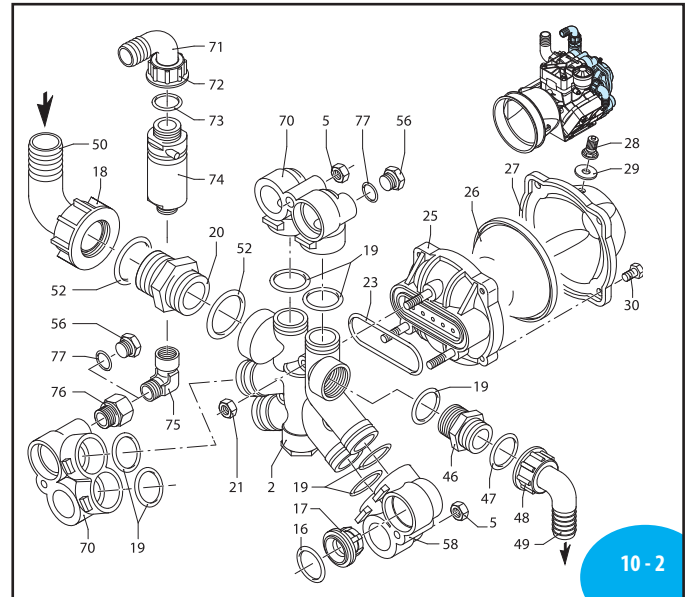
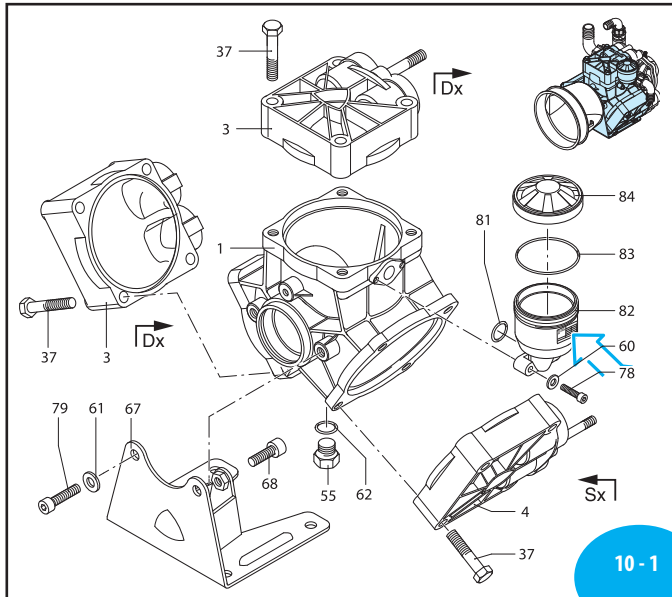
2154700 Air chamber decal

<b>37720</b>	<b>D70 DAMPER DIAPHRAGM</b>
<b>55197</b>	<b>D70 DAMPER DIAPHRAGM CLAMP</b>

**RETIRED**

The D115 pump has been retired from the Agxcel Hydraulic line-up since 2018.  
 \*\*Replacement parts for the D115 are available to order.\*

**GX5 D115  
 PUMP BREAK DOWN**



D115 - 3 DIAPHRAGMS	
FERTILIZER FLOW (GPM)	HYDRAULIC OIL FLOW (GPM)
5	2.1
10	4.2
15	6.3
20	8.4
25	10.5
BASED ON A 30FT TOOL BAR	

**Diaphragm Pump Oil**

Specifically formulated for GX5 Diaphragm pumps.

- Advanced Lubrication Technology
- BlueFlex Diaphragm compatible
- SAE 30 Non-Detergent Oil

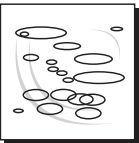
57489	OIL QUART (32oz)
CRANKCASE OIL CAPACITY 32 oz.	


Pos	Code	Discription	Qty	Note
1	580013	Pump body	1	
2	580150	Manifold	1	
3	550101	Head marked dx	2	
4	550102	Head marked sx	1	
5	180152	Nut M10	3	Geomet T355*
8	550081	Diaphragm	3	BlueFlex™
	550080	Diaphragm	3	NBR
	550084	Diaphragm	3	Viton
	550086	Diaphragm	3	HPDS
9	580110	Sleeve	3	AR115bp
	580350	Sleeve	3	AR135bp
	580112	Sleeve	3	AR115bp/1000
10	500260	Piston ring	3	
12	580120	Piston Ø 80	3	
13	380300	Pin	3	
14	380080	Ring circlip Øi 14	6	
15	580140	Connecting-rod	3	
16	320030	O-ring Ø 31.5x4.5	6	90Sh
17	759051	Valve	6	AR115bp AR135bp
	589050	Valve	6	AR115bp/1000
18	540541	Ring nut 1" 3/4 G	1	
19	390291	O-ring Ø 28.25x2.62	7	
20	540530	Fitting 1"1/4G-1"3/4GM-M	1	
21	390271	Nut M8	3	Geomet T180*
23	580050	Gasket	1	
25	580180	Semi air chamber lower	1	Black
26	550194	Diaphragm air chamber	1	Blueflex™
	550190	Diaphragm air chamber	1	NBR
	550192	Diaphragm air chamber	1	Viton
	550193	Diaphragm air chamber	1	HPDS
27	550233	Semi air chamber upper	1	Black
28	550300	Air valve	1	T25*
29	650542	Gasket	1	
30	550680	Screw TE M8x20	4	Geomet T180*
31	200391	Ring circlip Øi 62	1	
32	550470	Bushing seal ring	1	
33	550070	Washer	1	
34	550060	Bushing	1	
35	550170	Shaft marked AL	1	AR115bp SP
	580380	Shaft marked AT	1	AR135bp SP
36	580470	Ring connecting rod	2	
37	551040	Screw TE M10x55	12	Geomet
38	550310	Bushing	1	
46	550340	Fitting 1" G M-M	1	
47	550350	O-ring Ø 23.81x2.62	1	
48	550242	Ring nut 1" G	1	
49	550370	Elbow 1"	1	
50	540550	Elbow 1 1/2"	1	
52	250310	O-ring Ø 36.14x2.62	2	


Pos	Code	Discription	Qty	Note
53	550491	Ring seal	1	
54	650920	O-ring Ø 53.65x2.62	1	
55	880530	Plug 3/8" G	1	T180*
56	330173	Plug 1/2" G	1	Geomet T180*
58	580072	Fitting	1	
59	1500350	Shield	1	
60	550332	Washer	2	Geomet
61	320621	Washer	5	Geomet
62	740290	O-ring Ø 14x1.78	1	
63	550173	Shaft marked AM	1	AR115bp C
	580330	Shaft marked AS	1	AR135bp C
	550176	Shaft marked AP	1	AR115bp/1000
64	580370	Retaining washer hole Ø 14	3	(b)
65	580360	Hub pin	3	(b) T180*
67	580080	Foot	1	AR115bp AR135bp
	580082	Foot	1	AR115bp/1000
68	540301	Screw TCEI M10x30	1	Geomet T355*
70	580400	Fitting	2	
71	550460	Elbow Ø 18	1	
72	550450	Ring nut 3/4" G	1	
73	880831	O-ring Ø 15.54x2.62	1	Viton
74	1609000	Safety valve	1	290 PSI
75	881560	Fitting 1/2" G M-F	1	
76	580421	Fitting M-F 1/2"	1	T180*
77	180101	O-ring Ø 17.5x2	1	
78	850851	Screw TCEI M6x30	2	Geomet T90*
79	620472	Screw TCEI M10x20	3	Geomet T90*
81	390180	O-ring Ø 18.72x2.62	1	
82	1040310	Tank	1	
83	650920	O-ring Ø 53.65x2.62	1	
84	1040326	Plug black	1	AR115bp
	1040324	Plug red	1	AR135bp
	1040325	Plug green	1	AR115bp/1000
85	2240110	Nut M10	3	(a) T265*
86	2240100	Hub pin	3	(a) T265*
87	580371	Retaining washer hole Ø 10	3	(a)

(a) From serial number 5821140001.  
 (b) Up to serial number 5820149999.

\* Torque: in-lbs +/- 10%

<b>29922</b>	<b>D115 O-RING KIT</b>																				
	<table border="1"> <thead> <tr> <th>Pos.</th> <th>Qty</th> </tr> </thead> <tbody> <tr><td>16</td><td>6</td></tr> <tr><td>19</td><td>7</td></tr> <tr><td>29</td><td>1</td></tr> <tr><td>47</td><td>1</td></tr> <tr><td>52</td><td>1</td></tr> <tr><td>54</td><td>1</td></tr> <tr><td>66</td><td>1</td></tr> <tr><td>81</td><td>1</td></tr> <tr><td>83</td><td>1</td></tr> </tbody> </table>	Pos.	Qty	16	6	19	7	29	1	47	1	52	1	54	1	66	1	81	1	83	1
Pos.	Qty																				
16	6																				
19	7																				
29	1																				
47	1																				
52	1																				
54	1																				
66	1																				
81	1																				
83	1																				

<b>37708</b>	<b>D115 BLUEFLEX DIAPHRAGM KIT</b>								
	<table border="1"> <thead> <tr> <th>Pos.</th> <th>Qty</th> </tr> </thead> <tbody> <tr><td>8</td><td>3</td></tr> <tr><td>16</td><td>6</td></tr> <tr><td>26</td><td>1</td></tr> </tbody> </table>	Pos.	Qty	8	3	16	6	26	1
Pos.	Qty								
8	3								
16	6								
26	1								

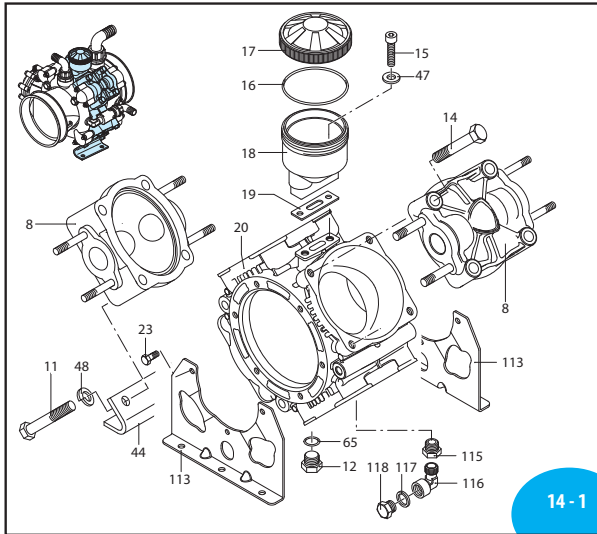
<b>29936</b>	<b>D115 VALVE KIT</b>						
	<table border="1"> <thead> <tr> <th>Pos.</th> <th>Qty</th> </tr> </thead> <tbody> <tr><td>16</td><td>6</td></tr> <tr><td>17</td><td>6</td></tr> </tbody> </table>	Pos.	Qty	16	6	17	6
Pos.	Qty						
16	6						
17	6						

**RETIRED**

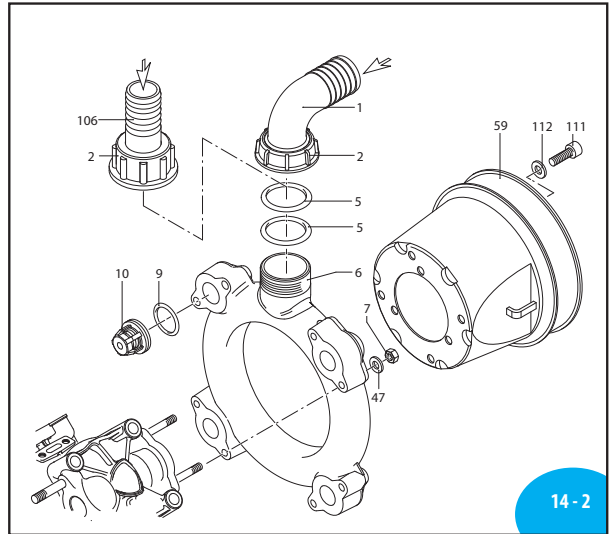
The D160 pump has been retired since 2019 - LFP160 is sold exclusively.

\*\*Replacement parts for the D160 are available for order.\*

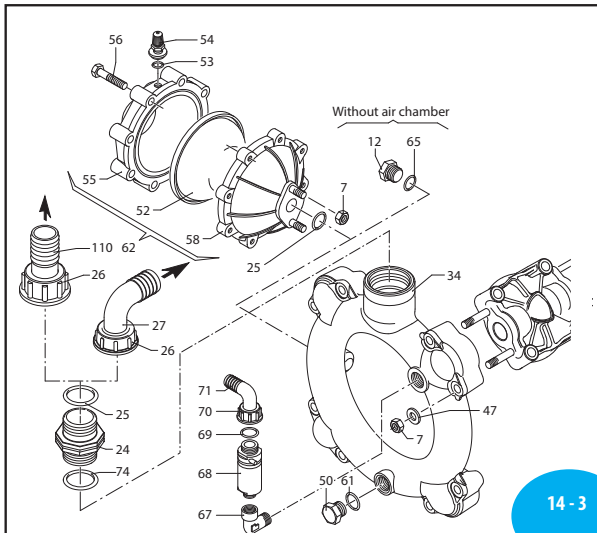
**GX5 D160 PUMP BREAK DOWN**



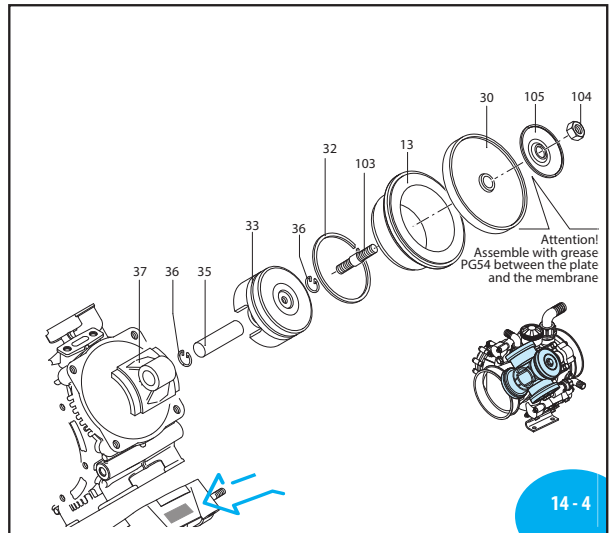
14 - 1



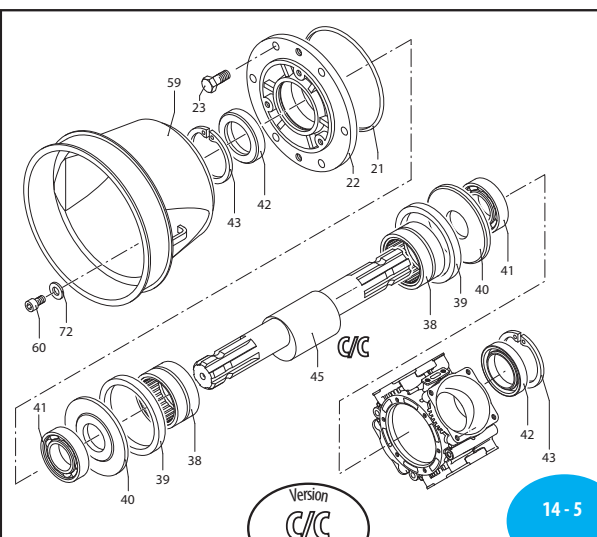
14 - 2



14 - 3



14 - 4



14 - 5

D160 - 4 DIAPHRAGMS	
FERTILIZER FLOW (GPM)	HYDRAULIC OIL FLOW (GPM)
10	3.0
20	6.0
30	9.1
35	10.6
BASED ON A 30FT TOOL BAR	

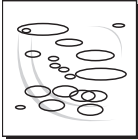
57489	OIL QUART (32oz)
CRANKCASE OIL CAPACITY 56 oz.	

Pos	Code	Description	Qty	Note
1	3040430	Elbow 1 1/2"	1	AR 160 bp
	3040440	Elbow 2"	1	AR 185 bp
2	3040450	Ring nut 2" G	1	
5	3040470	O-ring Ø 39.3x2.6	2	
6	760750	Line suction	1	
7	380242	Nut M8	18	Geomet T180*
8	751350	Head black plasticized	4	
9	680070	O-ring Ø 31.5x4.25	8	
10	759051	Valve	8	
11	750071	Screw TE M12x70	4	Geomet T445*
12	880530	Plug 3/8" G	2	T180*
13	750110	Sleeve	4	AR 160 bp
	750115	Sleeve	4	AR 185 bp
14	750061	Screw TE M12x65	16	Geomet T445*
15	680350	Screw TCEI M8x35	2	T90*
16	1040060	O-ring Ø 72.69x2.62	1	
17	1800060	Plug black	1	AR 160 bp
	750050	Plug red	1	AR 185 bp
18	750030	Tank	1	
19	750040	Gasket	1	
20	761010	Pump body	1	
21	851360	O-ring Ø 120.32x2.62	1	
22	680020	Support	1	
23	160672	Screw TE M10x25	6	Geomet T310*
24	751130	Fitting 1 1/2 G M-M	1	
25	390290	O-ring Ø 29x3	2	
26	750670	Ring nut 1 1/2" G	1	
27	760930	Elbow 1"	1	AR 160 bp
	751200	Elbow 1 1/4"	1	AR 185 bp
28	2420181	Support	1	
29	650640	Screw TCEI M10x25	6	Geomet T310*
30	550081	Diaphragm	4	BlueFlex
	550080	Diaphragm	4	NBR
	550084	Diaphragm	4	Viton
	550085	Diaphragm	4	Desmopan
	550086	Diaphragm	4	HPDS
32	500260	Piston ring	4	
33	750122	Piston Ø 80	4	
34	760760	Line manifold	1	
35	160700	Pin	4	
36	160691	Ring circlip Øi 18	8	
37	760140	Connecting-rod	4	
38	750090	Bearing	2	
39	750130	Ring connecting rod	2	
40	540040	Plate	2	
41	230350	Bearing	2	
42	160740	Ring seal	2	
43	200390	Ring circlip Øi 62	2	
44	760201	Foot	2	
45	750170	Shaft marked AU	1	AR 160 bp C/C
	750174	Shaft marked AV	1	AR 185 bp C/C
47	380243	Washer	18	Geomet

Pos	Code	Description	Qty	Note
48	250143	Washer	4	Geomet
50	330173	Plug 1/2" G	1	Geomet T180*
	550194	Diaphragm air chamber	1	Blueflex
	550190	Diaphragm air chamber	1	NBR
	550191	Diaphragm air chamber	1	Saturflon
	550192	Diaphragm air chamber	1	Viton
550193	Diaphragm air chamber	1	HPDS	
53	650542	Gasket	1	
54	180020	Air valve	1	T25*
55	620232	Semi air chamber upper	1	Black
56	621781	Screw TE M8x40	8	Geomet T180*
58	680180	Semi air chamber lower	1	
59	1500470	Shield	2	
60	850251	Screw TCEI M8x12	3	Geomet T180*
61	180101	O-ring Ø 17.5x2	1	
62	629230	Air chamber BlueFlex™	1	
	629216	Air chamber NBR	1	
65	740290	O-ring Ø 14x1.78	2	
67	881560	Fitting 1/2" G M-F	1	
68	1609000	Safety valve	1	290 PSI
69	880831	O-ring Ø 15.5x2.62	1	Viton
70	550450	Ring nut 3/4" G	1	
71	550460	Elbow Ø 18	1	
72	390314	Washer	3	Geomet
74	751140	O-ring Ø 47.22x3.53	1	
78	620330	Ring circlip Øi 65	1	
79	1800090	Ring seal	1	
80	230310	Bearing	1	
81	760510	Plate	1	
103	2240100	Hub pin	4	T265*
104	2240110	Nut M10 SS	4	T220*
105	751250	Wobble plate	4	
106	760950	Hose tail Ø 40	1	Optional AR 160 bp
	760570	Hose tail Ø 50	1	Optional AR 185 bp
110	760920	Hose tail Ø 25	1	Optional AR 160 bp
	760940	Hose tail Ø 35	1	Optional AR 185 bp
111	820673	Screw TCEI M10X16	3	Geomet
112	320621	Washer	3	Geomet
113	761031	Foot	2	
115	1040491	Fitting 3/8" G M-F	1	
116	900210	Fitting 3/8" G M-F	1	
117	2260200	Washer	1	
118	2281270	Plug 3/8" G	1	T180*
119	1300280	Spacer	3	
120	760360	Guard	1	
121	320621	Washer	3	Geomet
122	650640	Screw TCEI M10x25	3	Geomet T90*


\* Torque: in-lbs +/- 10%

29905		D160 O'RING KIT	
Pos.	Qty	Pos.	Qty
5	2	61	1
9	8	65	2
16	1	69	1
21	1	74	1
25	2		
53	1		





2154700 Air chamber detail

37730		D160 BLUEFLEX DIAPHRAGM KIT	
Pos.	Qty	Pos.	Qty
9	8		
30	4		
52	1		



29937		D160 VALVE KIT	
Pos.	Qty	Pos.	Qty
9	8		
10	8		

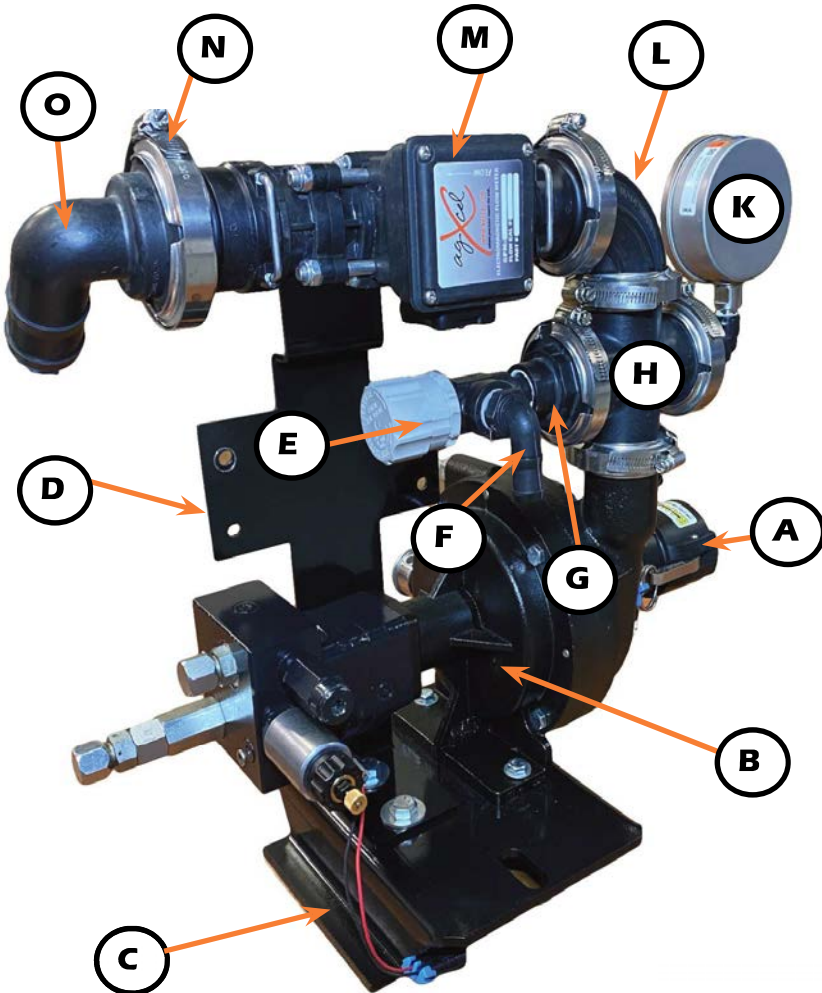
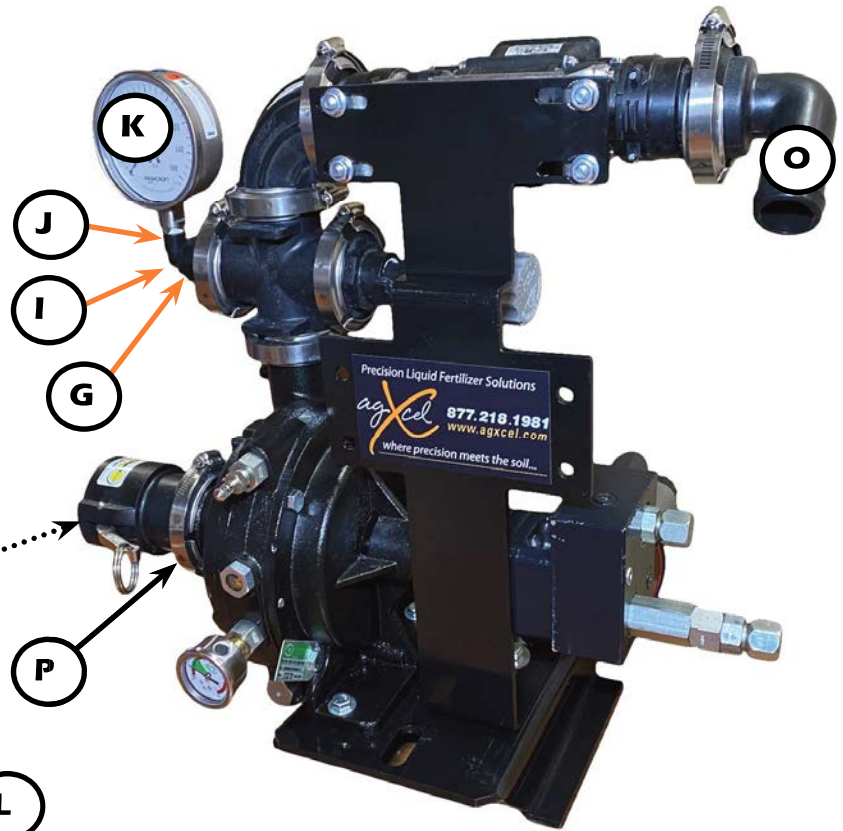


# GX5

GX5 Hydraulically driven Centrifugal pump is a self-priming hydraulic motor driven with hydraulic PWM.

- Max fluid Temp: 140°F/60°C
- Motor: High Efficiency Close Coupled Gear Motor
- Max. motor psi: 2700
- Pump Seals: FKM/Carbon Ceramic
- Impeller: Thermoplastic with Stainless Steel hub
- Universal 200 Flange
- Wet Seal Technology

SYSTEM WILL COME WITH A 2" ST FLANGE TO 2" FP FLANGE ADAPTER- OPTIONS OF USING A COUPLER ARE AVAILABLE FOR ADDITIONAL COST.



GX5 CENTRIFUGAL		
PN#	DESCRIPTION	
A	51417	M220200CPG - 2" STD TO 2" FP REDUCE
B	13193	ACE CENTRIFUGAL PUMP/MOTOR/PWM
C	39043	ACE BASE
D	39044	ACE FLOW BRACKET
E	39456	BYPASS
F	50870	HB075-90 - 3/4" MNPT HB ELBOW
G	51398	M200PLG075 - 2" FLANGE 3/4" FNPT
H	51389	M200CR - 2" FLANGE CROSS
I	32433	3/4" REDUCER 1/4" FNPT
J	52142	SL025-90 - 1/4" MNPT TO 1/4" FNPT ELBOW
K	33812	160 PSI GAUGE
L	51401	M200SWP90 - 2" FLANGE SWEEP ELBOW
M	FLOW METER OPTIONS SEE PG.2	
N	38267	FC200 (USES 150G)
	38269	150G
O	SEE OUTLET OPTIONS - IF DON'T SEE WHAT NEED CONTACT A SALES TO INQUIRE	
P	50804	FC220 (USES 200G)
	49617	200G GASKET
Q	51385	M200CPG - 2" FLANGE COUPLER

OUTLET OPTIONS (TO MANIFOLD/ROWS)		
PN#	DESCRIPTION	
	51383	M200BRB90 - 2" FLANGE 2" HB ELBOW
	32409	M200150BRB90 - 2" FLANGE 1.5" HB ELBOW
	51370	M200125BRB90 - 2" FLANGE 1.25" HB ELBOW
	51364	M200100BRB90 - 2" FLANGE 1" HB ELBOW
	51381	M200BRB - 2" FLANGE HB STRAIGHT
	51374	M200150BRB90 - 2" FLANGE 1.5" HB STRAIGHT
	51369	M200125BRB90 - 2" FLANGE 1.25" HB STRAIGHT
	51363	M200100BRB90 - 2" FLANGE 1" HB STRAIGHT
	51382	M200BRB45 - 2" FLANGE 2" HB 45 DEG
	51375	M200150BRB45 - 2" FLANGE 1.5" HB 45 DEG
	51417	M220200CPG - FLANGE REDUCER 2" STD- 2"FP **
	51365	M200100CPG - FLANGE REDUCER 2" - 1"
	51389	M200CR
	51334	M100CR
	51402	M200TEE
	51366	M200100TEE
	51347	M100TEE

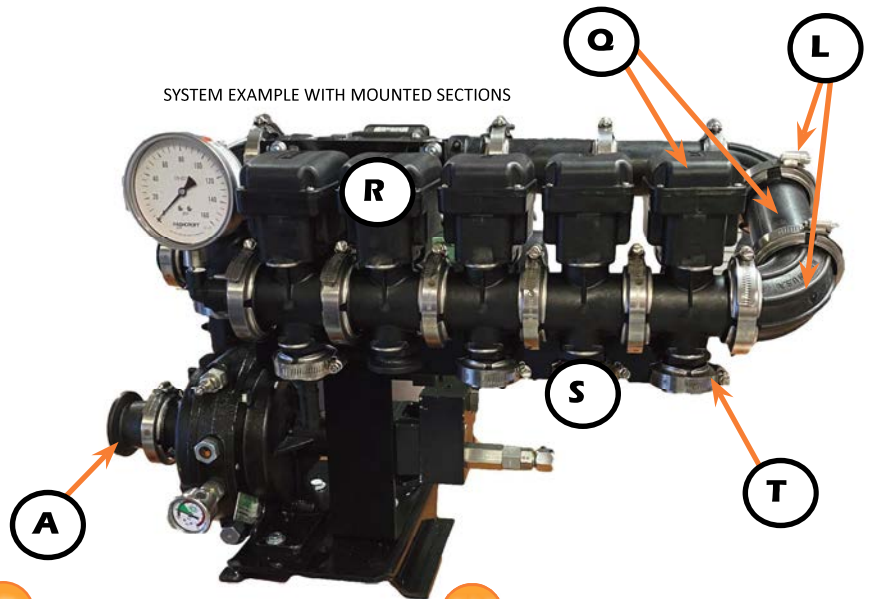
SECTION HARNESSING		
PN#	DESCRIPTION	
NOT SHOWN SITUATIONAL HARNESSING	53594	6 SEC BOOM HARNESS
	53800	12 SEC BOOM HARNESS
	54097	10FT BOOM EXTENSION
	54099	30FT BOOM EXTENSION
	54102	50FT BOOM EXTENSION

RAVEN SECTION VALVES		
PN#	DESCRIPTION	
R	13261	1 SECTION MANIFOLD ONLY
	13262	3 SECTION MANIFOLD ONLY
	13263	5 SECTION MANIFOLD ONLY
KIT VERSIONS OF "R"	13270	1 SECTION SWATH KIT
	13271	2 SECTION SWATH KIT
	13272	3 SECTION SWATH KIT
	13273	4 SECTION SWATH KIT
	13274	5 SECTION SWATH KIT
	13275	6 SECTION SWATH KIT

SECTION OUTLETS TO MANIFOLD		
PN#	DESCRIPTION	
S	38254	M100075BRB90
	51312	M100075BRB
	51327	M100BRB45
	51326	M100BRB
	51328	M100BRB90
T	33132	FC100 (USES 075G)
	50016	075G GASKET

MOUNTING BRACKETS FOR SECTION VALVES		
PN#	DESCRIPTION	
NOT SHOWN	18082	1-2 SECTION MOUNTING BRACKET
	18088	3-5 SECTION MOUNTING BRACKET
	18083	6 SECTION MOUNTING BRACKET
	13309	SECTION MOUNTING PLATE

PLUMBING	53502	1" BLK RUBBER HOSE
	38424	2" SPIRAL HOSE
	33132	FC100 (USES 075G)
	38267	FC200 (USES 150G)
	50804	FC220 (USES 200G) **
	50016	75G GASKET
	38269	150G GASKET
	49617	200G GASKET **
	51435	M220D - 2" FP FLANGE X 2" FEM COUPLER
49603	200E - 2" MALE ADAPTER TO 2" CAM COUPLER	



SYSTEM EXAMPLE WITH MOUNTED SECTIONS



# FMCWS-155F-HYD Series High Performance Hydraulic Motor Driven Centrifugal Pump

The Pro 5 Series has the same compact, close coupled design that you have come to expect with several new features to maximize life and reliability. The pump life has been enhanced with standard E-coated castings, an optional chemical resistant stainless steel wet end, and larger bearings. Oasis™ Wet Seal Technology prevents run dry failure and isolates seals from harsh chemicals. Interchangeability of parts within the Pro 5 Series simplifies stock and reduces inventory needed for field support.



## 155 PRO 5 SERIES

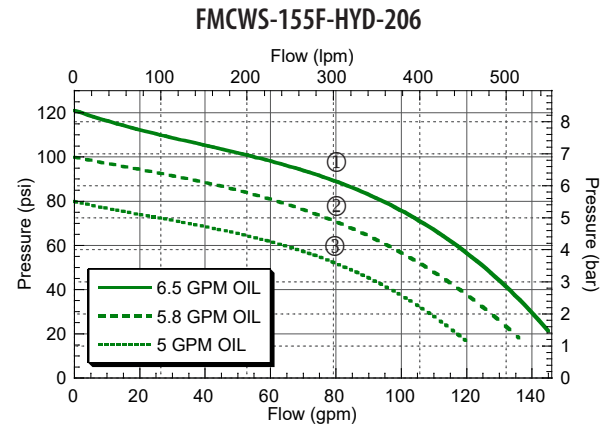
### SPECIFICATIONS

Pump Specifications	
Ports	220 x 200 Flange and 1-1/2" x 1-1/4" PT
Max. Flow	145 GPM ( 550 LPM) for 206      155 GPM (587 LPM) for 304
Max. Pressure	120 PSI (8.3 BAR) for 206      130 PSI (9.0 BAR) for 304
Construction	E-coated Cast Iron or 316 Stainless Steel (FS)
Seal	Carbon ceramic / FKM
Shaft	Stainless Steel
Bearings	Sealed for long life
Impeller	Thermoplastic with Stainless Steel Hub
Wear Ring	Stainless Steel

Motor Specifications				
Type	High Efficiency Close Coupled Gear Motor			
Seal	High Pressure Double Lip Teflon			
Internal Coasting Check	Prevents Damaging Pressure Spikes when Turned Off			
Size	-206	-206 PWM	-304	-304 PWM
Maximum Flow	7 GPM (26.5 LPM)		9 GPM (34 LPM)	
Maximum Pressure	2700 PSI (186 BAR)		2500 PSI (172 BAR)	
Bypass Needle	Up to 9 GPM (34 LPM)	Not included	Up to 9 GPM (34 LPM)	Not included
Use on HYD Systems	PC, LS, and OC	PC, LS	PC, LS, and OC	PC, LS
External Reverse Check	✓	✓	✓	✓
Inlet Adapter / Restrictor Body 1/2" FNPT	1/2" FNPT	#10 SAE	1/2" FNPT	#10 SAE
Restrictor Insert	✓	×	✓	×
-206 PWM	Integrated 12V Proportional Control Valve and Pressure Relief Valve for use in Precision Applications using Pulse Width Modulated control systems.			
Case Drain (Option)	Available	Not Available	Available	Not Available
Flow Limiter (Optional)	LS-206N	Do not use	LS-304N	Do not use

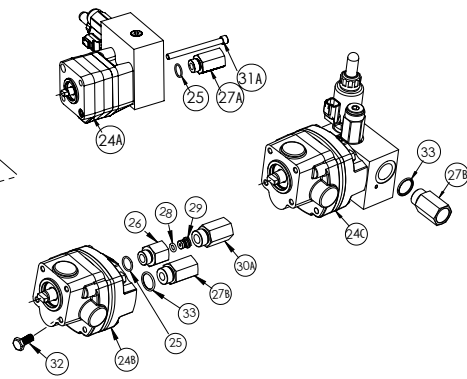
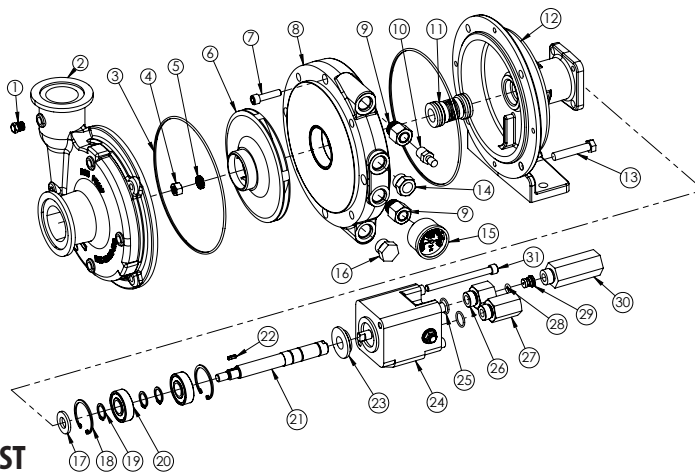
Available Models	
FMCWS-155F-HYD-206	FMCS-155FS-HYD-206
FMCS-155F-HYD-206-PWM	FMCS-155FS-HYD-206-PWM
FMCWS-155F-HYD-304	FMCS-155FS-HYD-304
FMCS-155F-HYD-304-PWM	FMCS-155FS-HYD-304-PWM

### PERFORMANCE



CURVE	-206	
1	6.5 GPM	24.6 LPM
2	5.8 GPM	22.0 LPM
3	5 GPM	19.0 LPM



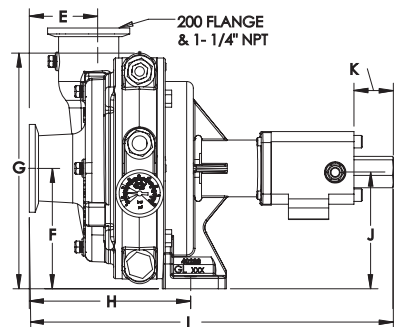
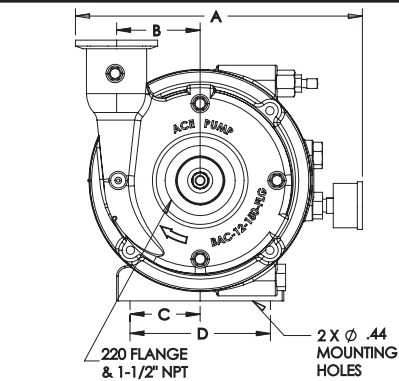


**PARTS LIST**

REF. #	PART NUMER	EDP #	DESCRIPTION	REQ.
1	BAC-53	41100	Pipe plug	4
1	41120	41120	Pipe plug, stainless steel (optional)	4
2A	BAC-12-150-FLG-EC	40257	Volute , cast iron, NPT and flanged, E-coated	1
2B	BAC-12-150-FLG-SS	40249	Volute , stainless steel, NPT and flanged	1
3 <sup>Ⓧ</sup>	BAC-4-150	40015	O-ring, body seal	2
4	BAC-23-B-SS	40393	Nut, 3/8" NF, SS	1
5	BAC-24-B-SS	42702	Washer, 3/8" SS, vibration proof	1
6	BAC-26-155-P	40453	Impeller, thermoplastic, keyway	1
7	72762	72762	Bolt, 5/16"-18 x 1-1/4", socket head, SS	4
8A	BAC-16	45285	Seal plate, cast iron, e-coated	1
8B	BAC-16-SS	45286	Seal plate, stainless steel	1
9	41107	41107	Bushing, #8 SAE x 1/4" FNPT, w/ o-ring	2
10	41316	41316	Air valve, 1/4" NPT	1
11 <sup>Ⓧ</sup>	BAC-7-WS	40139	Seal, dual seal assembly, Type 21, 5/8" shaft	1
12	BAC-14-5-HYD	40288	Mounting frame, cast iron, e-coated	1
13	BAC-42	40970	Cap screw, 5/16"-16 x 2", hex head	4
14	55851	55851	Sight gauge, #8 SAE, with o-ring	1
15	50150	50150	Pressure gauge, 0-160 PSI, 1/4" NPT	1
16	41108	41108	Plug, #8 SAE, hex head	1
17	BAC-54	41130	Slinger	1
18	BACH-33	40820	Snap ring, internal, mounting frame	2
19	BACH-32-HD	40385	Snap ring, external, shaft	3
20	40880	40880	Bearing	2
21	BAC-6-125-HYD-SS-WS	41581	Shaft, .625 DIA, 125-155, SS, WS	1
22	BACH-25	40420	Key, 1/8" x 1/8" x 7/16" SS	1
23	S255	40177	Seal support spacer (206)	1
23	S300	40162	Seal support spacer (304)	1
24	BAC-75-HYD-206-PRO5	41329	Hydraulic motor, 7 GPM (includes 23, 26, 27, 29, 31)	1
24A	BAC-75-HYD-206-PRO5-PWM	41290	Hydraulic motor, integrated PWM valve, 7 GPM (includes 23, 24A, 25, 27A, 31A)	1
24B	BAC-75-HYD-304	41381	Hydraulic motor, 9 GPM (includes 23, 24B, 25, 26, 27B, 28, 29)	1
24C	BAC-75-HYD-304-PWM	41348	Hydraulic motor, integrated PWM valve, 9 GPM (includes 23, 24C, 27B, 32, 33)	1
25	41875	41875	O-ring, #8 SAE fitting	2
26	BAC-80-8SAE	41455	Body, restrictor orifice, #8 SAE x 1/2" NPT, w/ O-ring	1
27	BAC-78-8SAE	41441	Reverse check assembly, #8 SAE x 1/2" NPT, w/ O-ring	1
27A	BAC-78-10X8SAE	41462	Reverse check assembly, #8 SAE x #10 SAE, w/ O-ring	1
27B	BAC-78-10X10SAE	41467	Reverse check assembly, #10 SAE x #10 SAE, w/ O-ring	1
28	41448	41448	O-ring, restrictor	1
29	BAC-79-7	41456	Orifice insert, restrictor, w/ O-ring (206) (Do not use with 206-PWM)	1
29	BAC-79-8	41447	Orifice insert, restrictor, w/ O-ring (304) (Do not use with 304-PWM)	1
30	LS-206N	41418	Flow limiting valve, #8 MSAE x 1/2" FNPT (206) (optional)	1
30A	LS-304N	41429	Flow limiting valve, #8 MSAE x 1/2" FNPT (304) (optional)	1
31	41259	41259	Cap screw, 5/16" NC x 3-3/4" socket head, SS (for 206 motor)	2
31A	41263	41263	Cap screw, 5/16" NC x 6" socket head, SS (for 206-PWM motor)	2
32	41330	41330	Cap screw, 5/16" NC x 3/4" socket head, (for 304 motor)	2
33	41445	41445	O-ring, #10 SAE	1
*34 <sup>Ⓧ</sup>	55032	55032	Barrier fluid, quart	-
Ⓧ	RK-FMCWS-PRO5	52728	Repair kit, includes items 3 (2 each), 11, and 34	-
*	RK-BAC-75-HYD-L	41374	Repair kit; 200 series hyd motor with high pressure lip seal	-
*	RK-BAC-75-HYD-300-L	41362	Repair kit; 300 series hyd motor with high pressure lip seal	-

\* Not shown in parts diagram

**DIMENSIONS**



Ref.	A	B	C	D	E	F	G	H	K
Inches	10.72	3.13	2.63	5.25	2.25	3.94	9.75	6.03	1.50
MM	272.3	79.5	66.8	133.4	57.2	100.1	247.7	153.2	38.1

**GX20 CHEMICAL MIXER - PN# 55434**

**GX20 CHEMICAL MIXER  
ADD ON PRODUCT - PN# 55520**

**GX20 CIRCA LFP45  
ADD ON PRODUCT - PN# 56477**



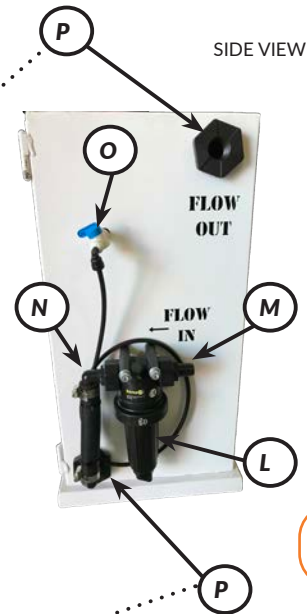
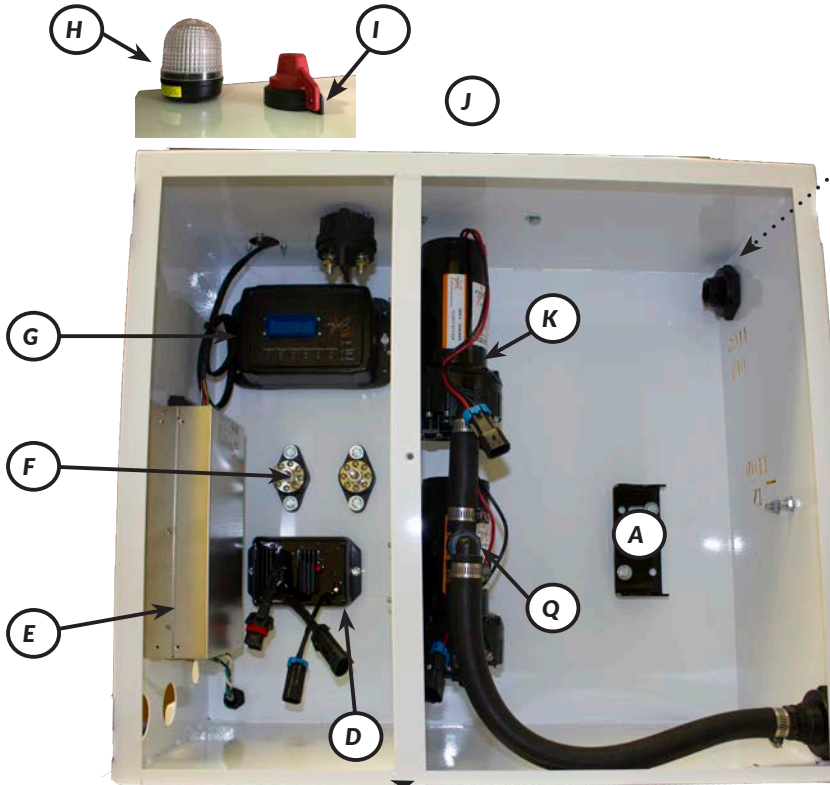
GX20 CORE COMPONENTS		
PN#		DESCRIPTION
A	CUSTOM	See pg. 26 - 29 for flow meter options. Call for details*
B		See below for harness options Call for details.*
Interior components may vary depending on if it is a first product or add-on product box		
C	37746	GX20i_LARGE_ENCLOSURE
D	18023	PWM KIT
E	55416	POWER INVERTER
F	55512	GX20iPOWERPOST (2 REQ'D)
G	55646	GX20i_MODULEKIT
H	55501	LIGHTTOWER_GX20i
I	55495	GX20IMASTERON/OFF
J	55958	HANDLE FOR GX20i (NOT SHOWN)
K	17919	3/4" QC PUMP O RING ELBOW
	20002	5.3 GPM PUMP QC (STANDARD)
	20064	2.0 GPM PUMP QC
PUMP(S) INCLUDED WILL DEPEND ON CALCULATED RATES		

L	51171	80 MESH IN LINE FILTER (STD)
	17677	50 MESH FILTER ONLY
	51167	30 MESH FILTER ONLY
	17678	80 MESH FILTER ONLY
M	18005	3/4" BARB X 3/4" NPT
N	32331	3/4" BARB ELBOW X 3/4" NPT
O	19848	1/4" SHUT OFF VALVE
	260	1/4" QC TO 1/4" MALE NPTF
P	52237	3/4 BULKHEAD (2 REQ'D)
Q	32476	3/4 FEMALE BARB TEE
	32331	3/4" BARB ELBOW X 3/4" NPT
	18204	Y34 - 3/4" Y
NOT SHOWN	55787	ENCLOSUREBASESTAND_GX20 OPTIONAL BASE STAND

PLUMBING	
19920	1/4" TUBING
308	3/4 BLK HOSE (PRECUT IN 50FT)
19646	#12 CLAMPS

PRODUCT HARNESSING			
	PRODUCT 1	PRODUCT 2	PRODUCT 3
PWM BATTERY CABLE	PN# 601		
GX20 MAIN HARNESS P1	PN# 55652		
GX20 MAIN HARNESS P2		PN# 38328	
GXH20_HRN EXTENSION		PN# 55477	
GX20iPRODUCT2or3		PN# 55474	
GX20 MAIN HARNESS P3			PN# 55476
GXH20_HRN EXTENSION (2 REQ'D)			PN# 55477
GX20iPRODUCT2or3 (2 REQ'D)			PN# 55474

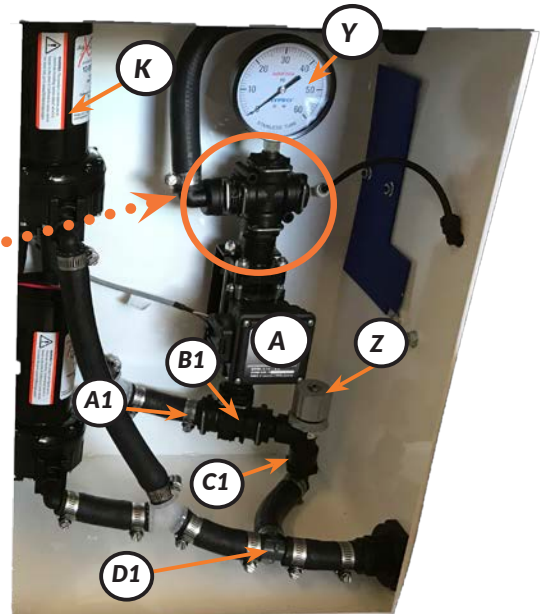
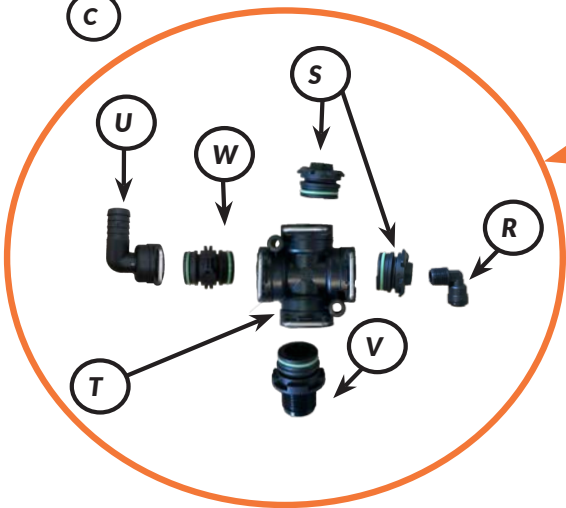
**AUGER EXTENSIONS**	
56175	AUGER "Y" HARNESS
56171	GXH_EXT20
56172	GXH_EXT30
56173	GXH_EXT40
56174	GXH_EXT50
*EXTENSIONS AND/OR "Y" ARE NOT INCLUDED IN BASE KIT*	



**NOTE!**  
System should be properly rinsed after use to prevent chemical hardening inside causing long term damage to system components

Proper maintenance of unit will extend the life of the system.

BELOW IS STANDARD INTERIOR VIEW



GX20 INTERIOR COMPONENTS		
R	260	1/4" QC TO 1/4" MALE NPTF
S	55070	CAP ADAPTER FOR GAUGE T3M 1/4"
T	55068	4-WAY FITTING 90° T3F
	54674	VITON T3 O RING
	54677	T3 FORK
U	54662	ELBOW T3F D.20
V	55092	HOSETAIL T3M 3/4"M
W	55214	NIPPLE T3M
Y	33816	60 PSI GAUGE

Z	39456	3/4" BYPASS
A1	54660	HOSETAIL T3M 3/4"M
B1	54669	3-WAY FITTING T3F
	54677	T3 FORK
C1	32276	3/4" FNPT - 3/4" HB ELBOW
D1	15	3/4" POLY HB TEE



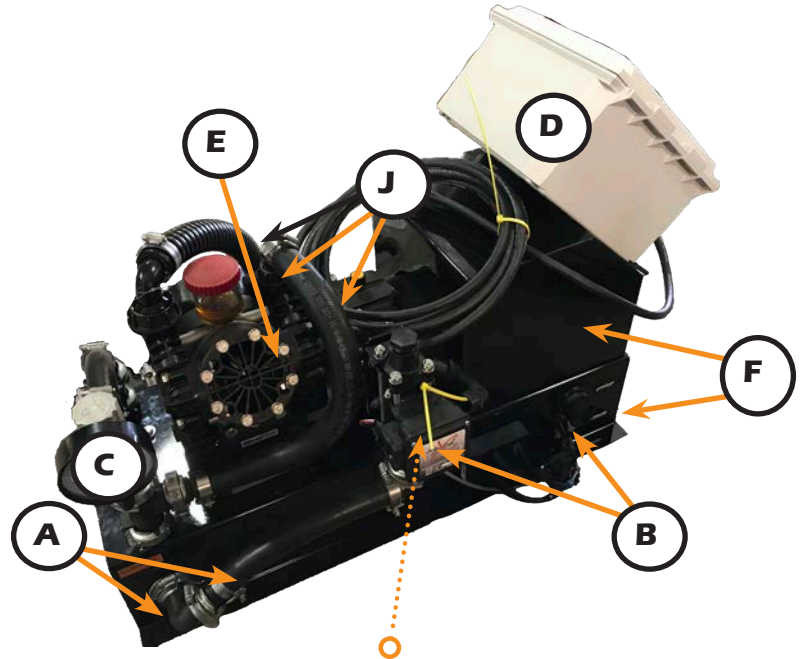
# GX20

AgXcel's NEW GX20HP is a high volume solution for treating dry fertilizer. Featuring a 3 phase motor and state of the art VFD, this unit was designed as an add-on unit for our GX20 Dry Treater. This High Pressure version has the capability of 11 GPM, thanks to our GX5 LFP45 hydraulic system with Blue Flex technology. With it's compact design and durability, the GX20HP is configured for your needs.

**GX20HP LFP PRODUCT ADD-ON - PN# 56477**

- Blue Flex diaphragms
- LFP45 ranges .5-11GPM
- LFP80 ranges .5-20GPM
- Variable Frequency Drive (VFD) to vary speed of single phase motor
- Can handle higher volumes, higher viscosity liquids, and higher pressure

LFP45 - Diaphragm Pump Oil	
Specifically formulated for GX5 Diaphragm pumps.	
<ul style="list-style-type: none"> <li>• Advanced Lubrication Technology</li> <li>• BlueFlex Diaphragm compatible</li> <li>• SAE 30 Non-Detergent Oil</li> </ul>	
57489	LFP45 OIL QUART (CRANKCASE OIL CAPACITY 13 oz)
49538	GEAR BOX OIL QUART - 90W (GEARBOX OIL CAPACITY 15 oz)



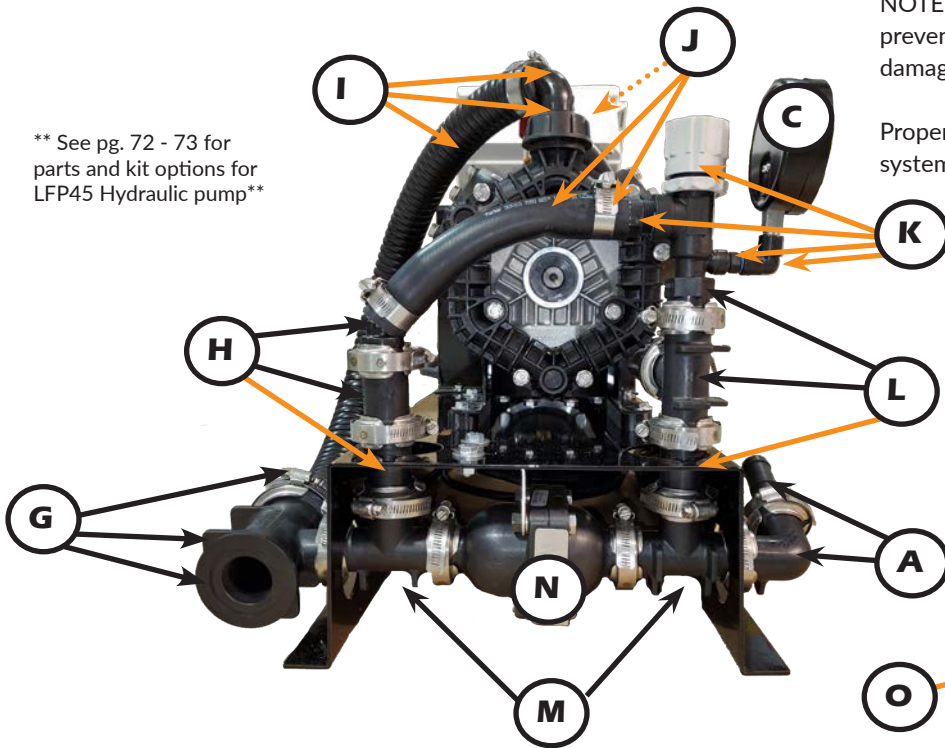
\*\* See pg. 26 - 29 for GXORION flow meter kits. This kit is dependent on rates being applied.

CLAMPS & HOSE	56629	1" 300 PSI BLK HOSE
	52194	1" PRESSURE CLAMP
	33132	1" WORM CLAMP
	50016	1" WORM CLAMP GASKET
	53580	1 1/4" SPIRAL HOSE
	52195	1 1/4" PRESSURE CLAMP
	308	3/4" BLACK HOSE
	19646	#12 CLAMPS
	38267	2" WORM SCREW CLAMP
	38269	2" WORM CLAMP GASKET

LFP45 HYDRAULIC PUMP REPAIR KITS	37735	LFP45 ORING KIT
	55566	LFP45 VALVE KIT
	55568	LFP45 VITON DIAPHRAGM KIT
	55564	LFP45 BLUEFLEX DIAPHRAGM KIT

GX20HP ADD-ON COMPONENTS		
PN#	DESCRIPTION	
A	51333	1" MANIFOLD COUPLER ELBOW
	51326	1" MANIFOLD TO 1" HB
	33132	1" WORM SCREW CLAMP
	50016	3/4" EPDM GASKET
B	18023	PWM KIT
	TBD**	GXORION FLOW METER KIT ( See pg. 34 - 37)
C	33812	160 PSI GAUGE
D	37755	ELECTRIC BOX (See opposite pg. for interior)
	55677	BOX SUBPANEL
E (NOT ALL ITEMS ARE SHOWN)	56446	LFP LIFT BASE (NEED 2)
	38389	LFP45 WITH GEARBOX (ASSEMBLED)
	38380	GX5 LFP 45 PUMP ONLY .5 - 11 GPM
	56204	GEARBOX FOR LFP45
	56490	MOTOR ADAPTER
F	56200	2HP, 1 PHASE 115/230 VAC
	56419	BASE BRACKET
	56420	TOP HOOD

\*\* See pg. 72 - 73 for parts and kit options for LFP45 Hydraulic pump\*\*



NOTE! System should be properly rinsed after use to prevent chemical hardening inside causing long term damage to system components

Proper maintenance of unit will extend the life of the system.

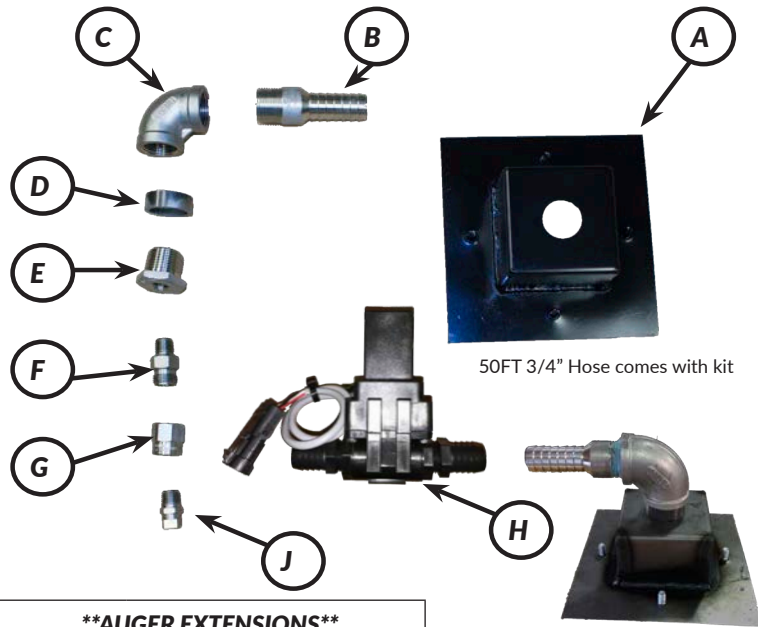
**IMPORTANT!!**  
***ALL GX20HP add-on units come calibrated to the rates of the customer so there is no need to open and/or alter any setting within the electrical box***



GX20HP ADD-ON COMPONENTS		
PN#	DESCRIPTION	
G  (NOT ALL ITEMS ARE SHOWN)	38267	2" WORM CLAMP
	38269	2" GASKET
	51366	MANIFOLD 2" TEE 1" MANIFOLD
	51370	MANIFOLD 2" TO 1 1/4" HB ELBOW
	51369	MANIFOLD 2" TO 1 1/4" HB
H	51331	1" COUPLER
	33132	1" WORM SCREW CLAMP
	50016	GASKET
	51324	1" MANIFOLD 45 DEGREE 1" HB
I  (PUMP INLET)	51347	1" MANIFOLD TEE
	55577	1 1/4" ELBOW
	55761	RING NUT
	55915	ORING LFP45
	52195	1 1/4" PRESSURE CLAMP
J  (PUMP OUTLET NOT SHOWN)	53580	1 1/4" SPIRAL HOSE
	56629	1" 300 PSI HOSE
	52194	1" PRESSURE CLAMP
	55771	1" ELBOW
	55770	1" RING NUT
	55920	LFP45 ORING

PN#	DESCRIPTION	
K	39456	PRESSURE RELIEF
	50868	3/4" MPT TO 1" HB
	51995	1/4" NIPPLE
	50574	1/4" POLY ELBOW
L	51331	1" COUPLER
	51312	1" MANIFOLD TO 3/4" FPT
	51326	1" MANIFOLD HB
	51347	1" MANIFOLD TEE
M	51347	1" MANIFOLD TEE
N	53629	100 PSI SPIKE VALVE
	52814	90 DEGREE SPIKE VALVE BRACKET
O	56308	GXCIRCUITBREAKER
P	55731	GX20DRIVE1HP4.2AMPS VFD

**GX20 AUGER KIT  
PN# 55929**

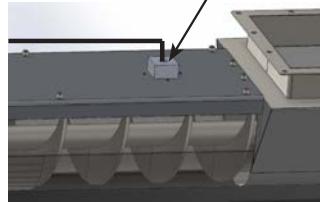


50FT 3/4" Hose comes with kit

**\*\*AUGER EXTENSIONS\*\***

56175	AUGER "Y" HARNESS
56171	GXH_EXT20
56172	GXH_EXT30
56173	GXH_EXT40
56174	GXH_EXT50

\*EXTENSIONS AND/OR "Y" ARE NOT INCLUDED IN BASE KIT\*



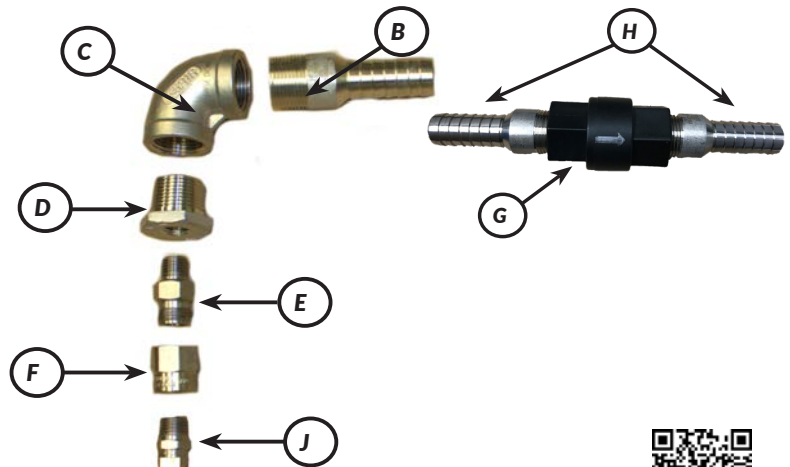
GX20 AUGER KIT		
PN#	DESCRIPTION	
A	55894	AUGERBRACKETGX20
B	55931	316SS 3/4" NPT BARB
C	55930	316SS PIPE ELBOW
D	55933	AUGER WASHER
E	55932	316SS 3/4" BUSHING 1/4" MNPT
F	44446	SST BODY SS-1/4TT
G	43808	SST ADAPTER ST.STL.
NOT SHOWN	308	3/4 BLK HOSE (50FT)
	19646	#12 CLAMPS
H	52070	1/2 ELECTRONIC BALL VALVE
	32248	1/2 MNPT TO 3/4" BARB

1 SIZE INCLUDED BASED ON APPLICATION RATES

J	48066	FLOODJET TIP,ST.STL.
	55962	SPRAY TIP .2 ORIFICE 80°
	55961	SPRAY TIP .5 ORIFICE 80°
	55943	SPRAY TIP 10 ORIFICE 80°
	55936	SPRAY TIP 20 ORIFICE 80°
	55942	SPRAY TIP 30 ORIFICE 80°
	55941	SPRAY TIP 40 ORIFICE 80°
	55940	SPRAY TIP 50 ORIFICE 80°
	55937	SPRAY TIP 60 ORIFICE 80°

**GX20 VERTICAL SINGLE KIT  
PN# 55963**

GX20 VERTICAL SINGLE		
PN#	DESCRIPTION	
A	308	3/4" BLACK HOSE (NOT SHOWN)
	19646	#12 SST CLAMP
B	55931	316SS 3/4" NPT BARB
C	55930	316SS PIPE ELBOW
D	55932	316SS 3/4" BUSHING 1/4" MNPT
E	44446	SST BODY SS-1/4TT
F	43808	SST ADPT.BSPT.SS
G	54022	3/4" 1# INLINE CHECK VALVE
H	55931	316SS 3/4" NPT BARB (2 REQ'D)

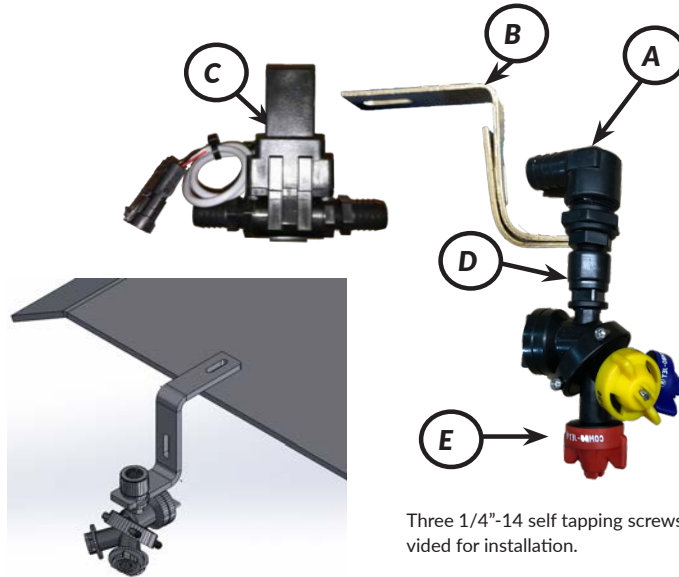


50FT 3/4" Hose comes with kit



**GX20 BLENDER KIT**  
 LOW VOLUME PN# 55968  
 HIGH VOLUME PN# 55969

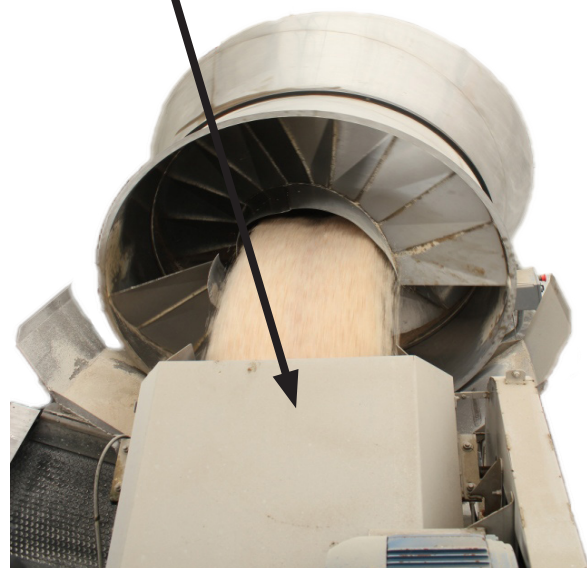
GX20 BLENDER KIT		
PN#	DESCRIPTION	
NOT SHOWN	308	3/4 BLK HOSE (50FT)
	19646	#12 CLAMPS
A	26147	3/8" NPTM X 3/4" HOSE SHANK 1 WAY
B	26212	BOOM CLAMP 1 1/2" - 2" MAIN CLAMP SS
	26204	BOOM CLAMP LOCK CLIP
	55967	14 X 1 SELF DRILLING
C	52070	1/2 ELECTRONIC BALL VALVE
	32248	1/2 MNPT TO 3/4" BARB
D	26222	TRI BODY BOOM
E	26110	COMBO-JET MR80-005 BLACK
	26111	COMBO-JET MR80-0067 PINK
	26112	COMBO-JET MR80-01 ORANGE
	26113	COMBO-JET MR80-015 GREEN
	26114	COMBO-JET MR80-02 YELLOW
	26115	COMBO-JET MR80-025 PURPLE
	26116	COMBO-JET MR80-03 BLUE
	26117	COMBO-JET MR80-04 RED
	26118	COMBO-JET MR80-05 BROWN
	26119	COMBO-JET MR80-06 GRAY
	26120	COMBO-JET MR80-08 WHITE
	26121	COMBO-JET MR80-10 LIGHT BLUE
	26122	COMBO-JET MR80-125 TEAL
	26123	COMBO-JET MR80-15 LIGHT GREEN
	26124	COMBO-JET MR80-20 TAN
	26125	COMBO-JET MR80-25 BLACK
	26126	COMBO-JET MR80-30 BLACK
26127	COMBO-JET MR80-40 BLACK	



**NOTE:** The metal bracket used on the nozzle body may need to be bent or modified to fit correctly, as all blenders are made differently.

**EXTENSIONS**	
56175	AUGER "Y" HARNESS
56171	GXH_EXT20
56172	GXH_EXT30
56173	GXH_EXT40
56174	GXH_EXT50
*EXTENSIONS AND/OR "Y" ARE NOT INCLUDED IN BASE KIT*	

For mounting on  
Blender cover



# GX45

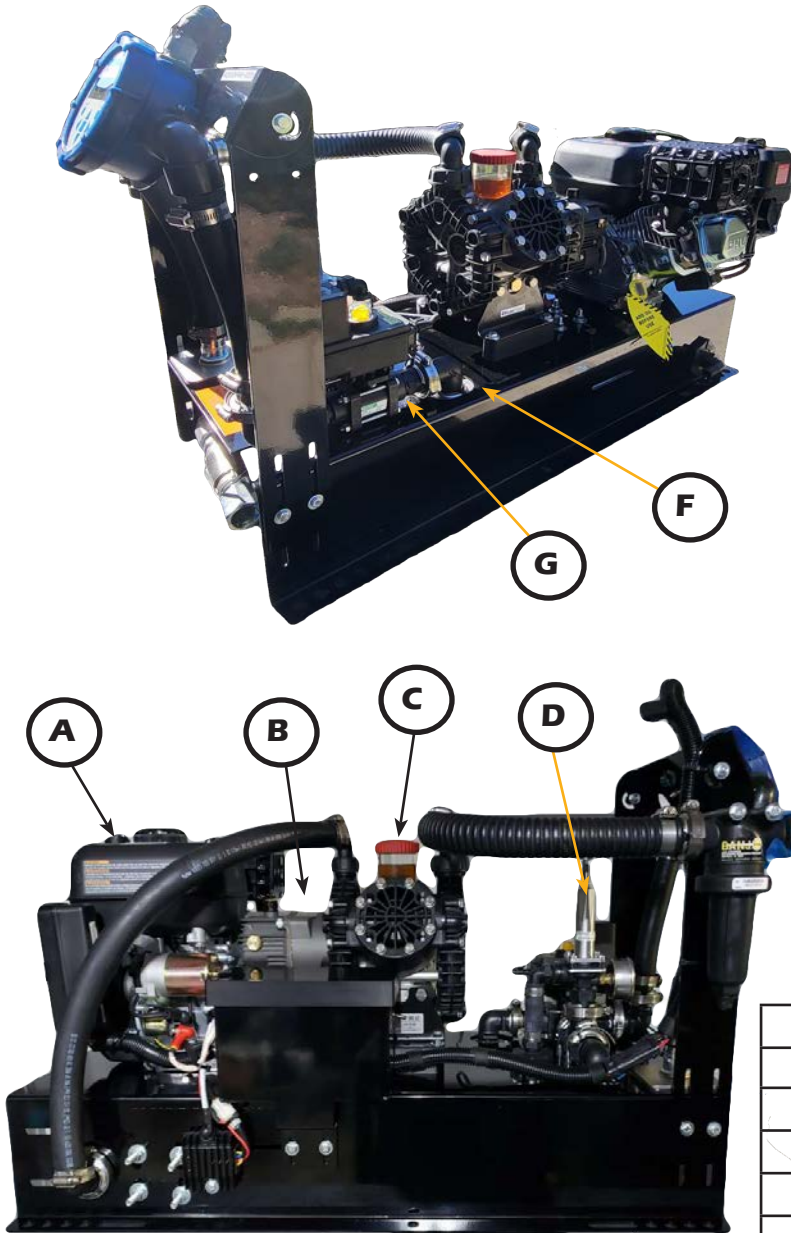
**AUTO BATCH  
LFP GAS**

The AgXcel GX45 Gas series is specifically designed for in field applications, for safely injecting nitrification inhibitors into Anhydrous Ammonia.

The solution is able to inject into an anhydrous nurse tank located in the customers field at up to 11 GPM at 200 psi. Multiple features keep this system and the end-user safe

**FEATURES:**

- Heavy Duty powder coated chassis
- Easy to use programming
- 230 PSI Safety bypass back to tank
- Adjustable relief valve
- Safe and Simple to use
- Pull start engine
- 86 Octane or higher
- Universal mounting bracket
- Sotera Flow Meter
- Full tank 1.5 hrs of usage at full throttle
- Full tank 3 hrs of usage at 50% throttle
- No need for electrical power



GXR-45 COMPONENTS		
PART NUMBER		DESCRIPTION
A	57289	CRX 225 6HP OHV
B	56204	GEARBOX FOR LFP45
C	38380	GX5 LFP 45 .5-11 GPM - PUMP ONLY
D	56631	PRESSURE RELIEF VALVE
E	57337	AUTO BATCH CONTROLLER
F	56588	KUNKLE PRESSURE RELIEF
G	39826	ELECTRIC 3-WAY BALL VALVE

# GX50

The AgXcel NEW GX50 N-Fuse is your robust, chemical injection solution. Designed for injection, the GX50 N-Fuse can dispense anhydrous compatible products into pressurized nurse tanks with the utmost precision. Operating at 200 psi, the GX50 N-Fuse can deliver up to 10 gallons/min. Built to withstand the harshest weather environments, the GX50 N-Fuse is your go to injection unit.

**FEATURES:**

- 120v 20amp configuration
- 10 gallons/min @ 200 PSI
- High performance positive displacement pump
- 2 HP 3600 rpm self cooled motor
- Heavy Duty powder coated chassis
- Resistive touch screen
- Easy to use programming
- Industrial push button operation
- AgXcel Mag flow meter for unparalleled accuracy

**High Performance  
Chemical Injection**



- Solid design to withstand the most demanding environments
- Utilizes the AgXcel Mag Flow meter for unparalleled accuracy
- Durable Resistive touch screen



*Display Features:*

- Simple to use control panel
- Touch screen responsive with NH3 gloves
- Large press buttons for ease of management
- Large font
- Resistive touch screen
- IP65 Water proof display
- 1000 NIT readable in direct sunlight

*Pump Features:*

- 115v AC and 230v AC configurations
- Low maintenance pump that can draw even the most viscous liquids in cold weather
- Up to 10 gpm @ 200 psi
- Industrial GFI Setup
- Nylon pump head for aggressive products
- 230 psi knuckle safety relief valve
- Adjustable pressure bypass
- High pressure fittings & hoses
- High performance psotive displacement pump

*Motor Features:*

- Single phase motor
- 2HP 3600 RPM
- TFC enclosure
- Induction Motor

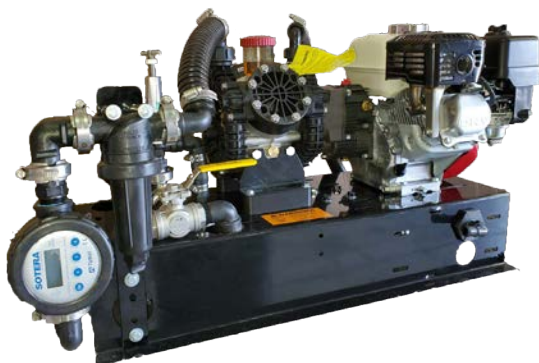


# GX50

**LFP  
GAS**

The AgXcel GX50 N-fuse Gas series is specifically designed for in field applications, for safely injecting nitrification inhibitors into Anhydrous Ammonia.

The solution is able to inject into an anhydrous nurse tank located in the customers field at up to 11 GPM at 200 psi. Multiple features keep this system and the end-user safe. Give AgXcel a call for additional details and requirements.



- Full tank 1.5 hours of usage at full throttle
- Full tank 3 hours of usage at 50% throttle
- No need for electrical power
- 230 PSI safety by-pass back to tank
- Adjustable relief valve
- Safe and simple to use
- Pull start engine
- 86 Octane or higher
- Universal mounting bracket
- Sotera Flow Meter

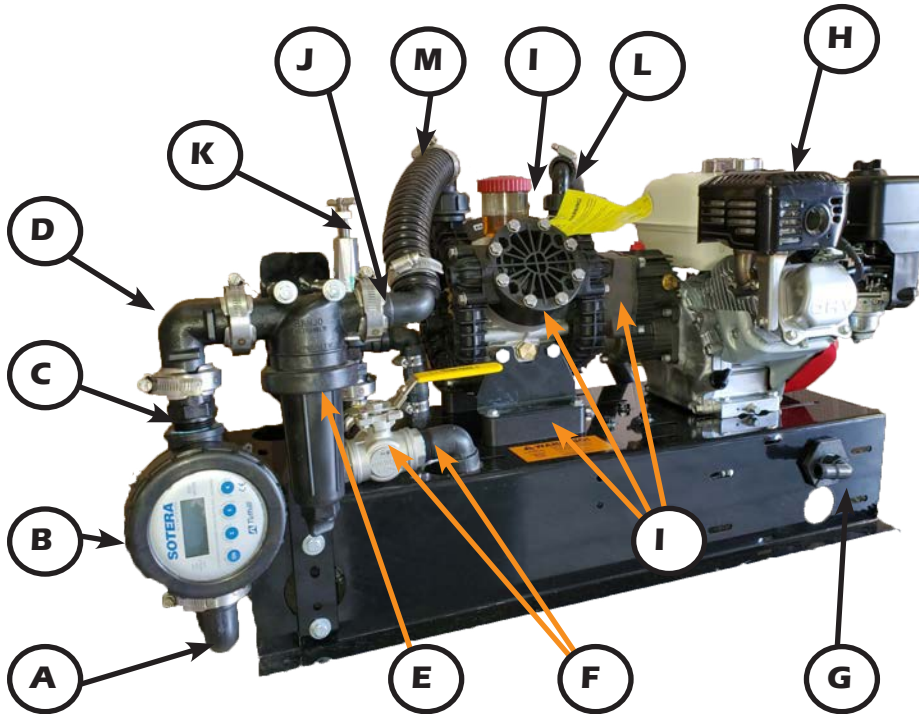


# GX50 LFP GAS

GX50 GAS LFP SYSTEM PN# 51862

The AgXcel GX50 N-fuse Gas series is specifically designed for in field applications, for safely injecting nitrification inhibitors into Anhydrous Ammonia.

The solution is able to inject into an anhydrous nurse tank located in the customers field at up to 11 GPM at 200 psi. Multiple features keep this system and the end-user safe. Give AgXcel a call for additional details and requirements.



- 230 PSI safety bypass back to tank
- Adjustable relief valve
- Safe and simple to use
- Pull start engine
- 86 Octane or higher
- Universal mounting bracket
- Sotera Flow Meter
- Full tank 1.5 hours of usage at full throttle
- Full tank 3 hours of usage at 50% throttle
- No need for electrical power

**LFP45 - Diaphragm Pump Oil**

Specifically formulated for GX5 Diaphragm pumps.

- Advanced Lubrication Technology
- BlueFlex Diaphragm compatible
- SAE 30 Non-Detergent Oil

57489	LFP45 OIL QUART (CRANKCASE OIL CAPACITY 13 oz)
49536	HONDA OIL QUART (ENGINE OIL CAPACITY 20 oz.)
49538	GEAR BOX OIL QUART - 90W (GEARBOX OIL CAPACITY 15 oz)

GX50 LFP GAS COMPONENTS		
PN#		DESCRIPTION
A	33132	1" WORM SCREW CLAMP
	50016	3/4" EPDM GASKET
	50877	1" MPT TO 1 1/4" HB
	52195	1 1/4" PRESSURE CLAMP
	51338	1" MANIFOLD TO 1" MPT
B	51087	SOTERA FLOW METER
C	51338	1" MANIFOLD TO 1" MPT
D	51333	1" MANIFOLD COUPLING 90 DEGREE
E	51842	50 MESH 1" FLANGE STRAINER
	56651	3-WAY BALL VALVE STAINLESS
F	52148	1" STREET ELBOW
	56654	HONDA ENGINE GX200
H	56808	HONDA ENGINE GX160

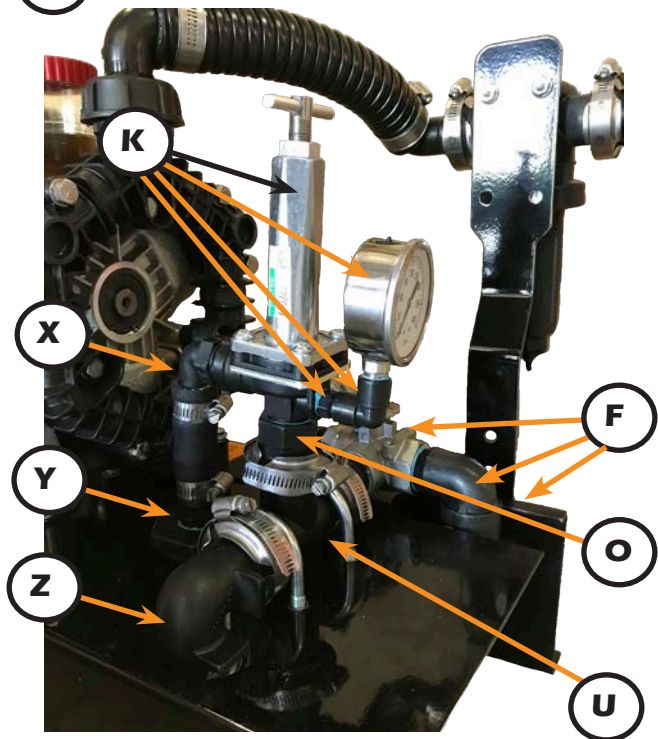
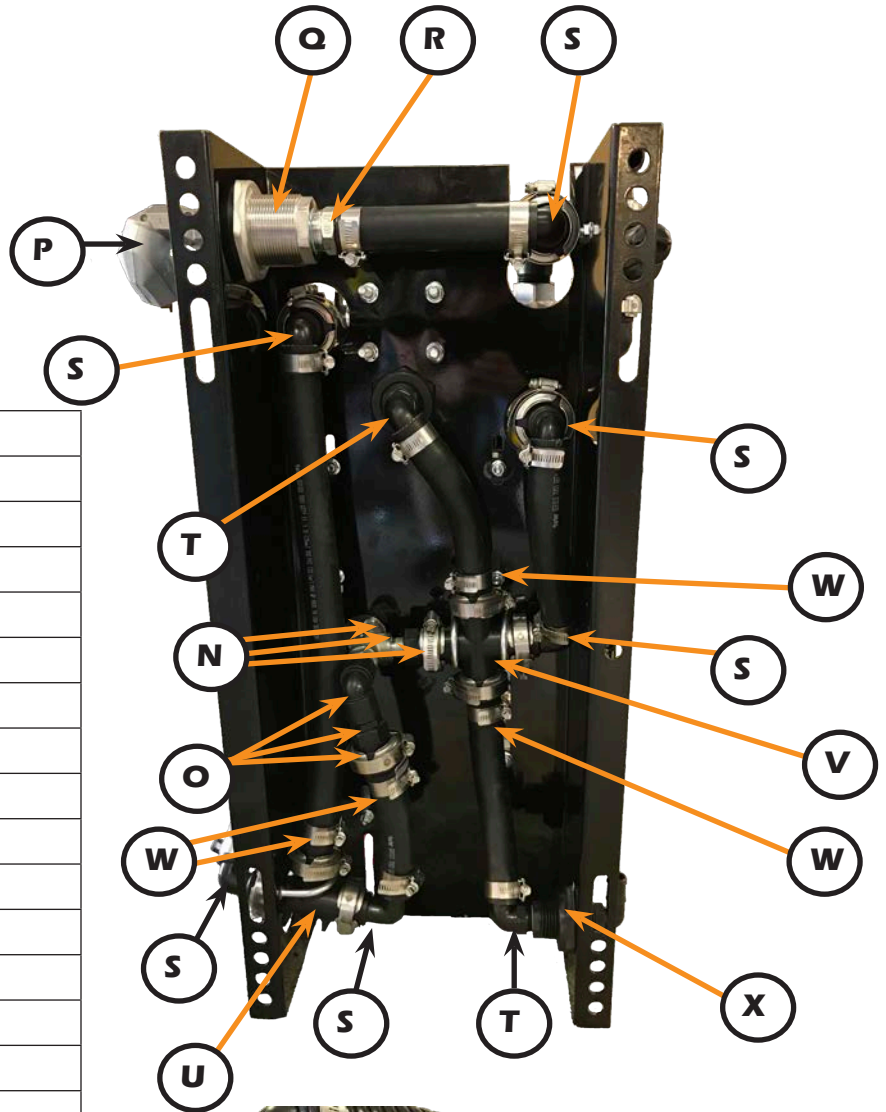
GX50 LFP GAS COMPONENTS		
PN#		DESCRIPTION
I	17954	LFP BASE LIFT (SET OF 2)
	38380	GX5 LFP 45 PUMP ONLY .5 - 11 GPM
	56204	GEARBOX FOR LFP45
J	51321	1" FLANGE X 1 1/4" BARB-90 ELB
	33132	1" WORM SCREW CLAMP
	50016	3/4" EPDM GASKET
K	52195	PRESSURE CLAMP FOR 1 1/4" HOSE
	56631	PRESSURE RELIEF VALVE
	20844	2.5 SS LIQUID FILLED 400 PSI GAUGE
	50574	1/4" PIPE ELBOW
	32395	1/4" NIPPLE

NOTE! System should be properly rinsed after use to prevent causing long term damage to system components

Proper maintenance of unit will extend the life of the system.

CLAMPS & HOSE	56629	1" 300 PSI BLK HOSE
	52194	1" PRESSURE CLAMP
	33132	1" WORM CLAMP
	50016	1" WORM CLAMP GASKET

PN#	DESCRIPTION	
L "PUMP OUT"	55771	1" ELBOW
	55770	RING NUT
	55920	O RING VITON FOR LFP45
	56629	1" 300 PSI BLK HOSE
	52194	1" CLAMP (NOT SHOWN)
M "PUMP IN"	55577	1 1/4" ELBOW
	55761	RING NUT
	55915	O RING VITON FOR LFP45
N	56588	KUNKLE PRESSURE RELIEF
	20603	1/2" SS NIPPLE
	51311	1" FLANGE TO 1/2" FPT
O	50576	PIPE ELBOW 1/2"
	52105	3/4" REDUCING NIPPLE 1/2"
	51315	1" FLANGE 3/4" FPT
P	56528	SWIVEL NOZZEL
Q	56537	1" BUNG SS
R	56536	1" KING HB SS
S	51328	1" MANIFOLD ELBOW
T	50872	1" HB 3/4" MPT ELBOW
	51347	1" FLANGE TEE
V	51334	1" FLANGE CROSS
	53767	UBOLT
W	51326	1" FLANGE HB
X	52237	3/4" BUNG
Y	50863	3/4" MPT HB
Z	51333	1" MANIFOLD COUPLER 90 DEGREE



\*\* See pg. 72-73 for parts and kit options for LFP45 Hydraulic pump\*\*

# GX50

GX50 N-FUSE MISC COMPONENTS		
PN#	DESCRIPTION	
	56531	HOSE END ANGLE VALVE See page xx for valve repair kits and diagram of unit.
	49695	2" PLUG
	49596	2" COUPLER
	52084	REDUCER BUSHING 2" TO 1 1/4"
	50882	1 1/4" HB MPT
56527	NH3 30FT 1" MPT ENDS	
53580	1 1/4" SPIRAL HOSE (15FT standard w/system)	
	50243	1" CHECK VALVE
	56619	1" NIPPLE SS316
	56528	SWIVEL NOZZLE 1" MNPT X 1" FNPT
	49637	HYDROSTATIC RELIEF VALVE
51193	RELIEF VALVE ADAPTER	

REPAIR KITS FOR PN#56531	56265	STEM & EXTENSION ASSEMBLY
	56261	HANDLE ASSEMBLY
	56240	REPAIR KIT

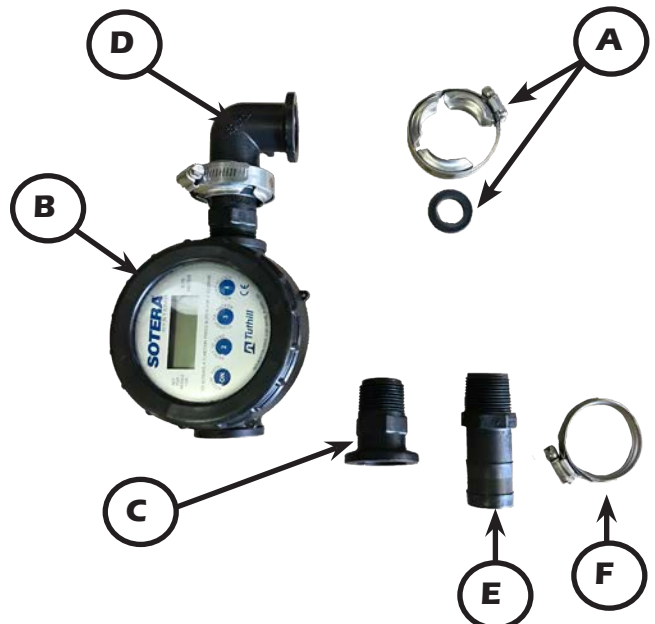
LFP45 HYDRAULIC PUMP REPAIR KITS	37735	LFP45 ORING KIT
	55566	LFP45 VALVE KIT
	55568	LFP45 VITON DIAPHRAGM KIT
	55564	LFP45 BLUEFLEX DIAPHRAGM KIT

CLAMPS & HOSE	56629	1" 300 PSI BLK HOSE
	52194	1" PRESSURE CLAMP
	33132	1" WORM CLAMP
	50016	1" WORM CLAMP GASKET
	53580	1 1/4" SPIRAL HOSE
	52195	1 1/4" PRESSURE CLAMP
	308	3/4" BLACK HOSE
	19646	#12 CLAMPS
	38267	2" WORM SCREW CLAMP
	38269	2" WORM CLAMP GASKET
	19920	1/4" BLK TUBING

NOTE! System should be properly rinsed after use to prevent chemical hardening inside causing long term damage to system components

Proper maintenance of unit will extend the life of the system.

**GX50 GAS LFP FLOW KIT ONLY PN# 51111**



GX50 LFP GAS FLOW KIT		
PN#	DESCRIPTION	
A	33132	1" WORM SCREW CLAMP (QTY 2)
	50016	3/4" EPDM GASKET (QTY 2)
B	51087	SOTERA FLOW METER
C	51338	1" MANIFOLD TO 1" MPT (QTY 2)
D	51333	1" MANIFOLD COUPLING 90 DEGREE
E	50877	1" MPT TO 1 1/4" HB
F	52195	1 1/4" PRESSURE CLAMP

LFP45 - Diaphragm Pump Oil

Specifically formulated for GX5 Diaphragm pumps.

- Advanced Lubrication Technology
- BlueFlex Diaphragm compatible
- SAE 30 Non-Detergent Oil

57489	LFP45 OIL QUART (CRANKCASE OIL CAPACITY 13 oz)
49538	GEAR BOX OIL QUART - 90W (GEARBOX OIL CAPACITY 15 oz)

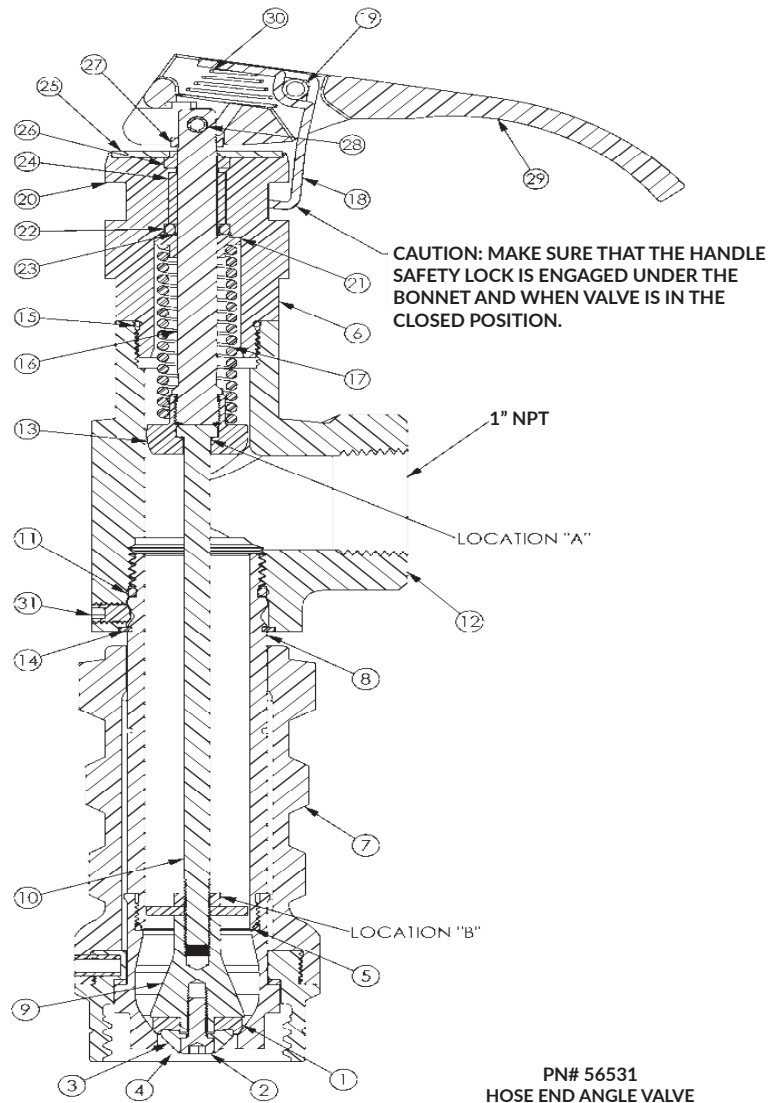


**IMPORTANT!!**  
**ALL GX50 N-Fuse units**  
*come calibrated to the rates*  
*of the customer so there*  
*is no need to open and/or*  
*alter any setting within the*  
**electrical box**

**WARNING!** If the Valve is closed slowly by holding the Handle as it is moved toward the CLOSED position, be sure the Handle reaches its STOP position. The Handle Safety Lock must engage beneath the Bonnet flange.

AVAILABLE KITS		
Kit Number	Kit Name & Items Included	Assembly Procedure
PN# 56240	Seal Kit ① ② ③ ⑬ ⑳ ㉑ ㉒ ㉓ ㉔	Steps 1 thru 9
PN# 56261	Handle Assy. ⑱ ⑲ ㉘ ㉙ ⑳	Step 9
PN# 56265	Stem & Extension Assy. ① ② ③ ⑨ ⑩ ⑬ ⑯	Steps 4 thru 9

Item	Qty.	Description
1	1	Disc
2	2	Cap Screw
3	1	Seat Retainer
4	1	Seat
5	1	Nozzle/Seat Seal
6	1	Inlet Label
7	1	Speed Drive Swivel
8	1	Nozzle
9	1	Disc Holder
10	1	Stem Extension
11	1	Body/Nozzle Seal
12	1	Body (Angle)
13	1	Seat Retainer
14	1	Spiral Retainer Ring
15	1	Body/Bonnet Seal
16	1	Stem
17	1	Stem Spring
18	1	Handle Safety Lock
19	1	Pin
20	1	Bonnet
21	1	Seal Retainer
22	1	Stem Seal
23	1	Seal Sleeve
24	1	Bonnet Bushing
25	1	Handle Bearing
26	1	Wiper Ring
27		
28	1	Handle Pivot Roll Pin
29	1	Handle
30	1	Handle Spring
31	1	Set Screw



PN# 56531  
 HOSE END ANGLE VALVE

# GX50



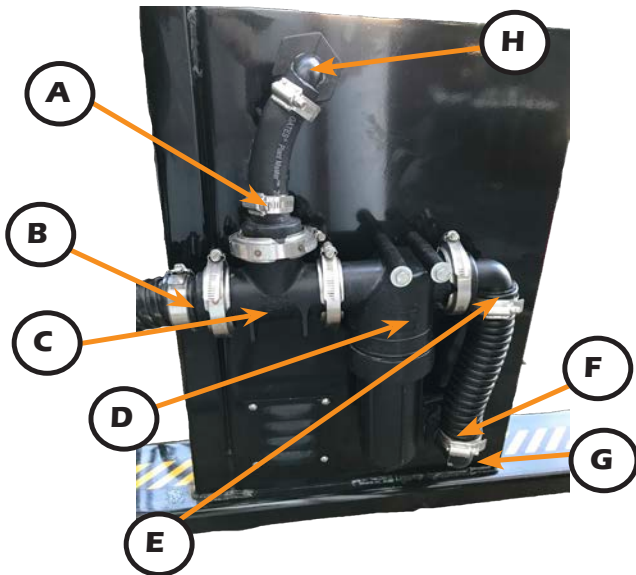
# GX50

The AgXcel NEW GX50 N-Fuse is your robust, chemical injection solution. Designed for injection, the GX50 N-Fuse can dispense anhydrous compatible products into pressurized nurse tanks with the utmost precision. Operating at 200 psi, the GX50 N-Fuse can deliver up to 10 gallons/min. Built to withstand the harshest weather environments, the GX50 N-Fuse is your go to injection unit.



**GX50 N-FUSE 110V SYSTEM PN# 56626**

**GX50 N-FUSE 240V SYSTEM PN# 51034**



**FEATURES:**

- 120v 20amp configuration
- 10 gallons/min @ 200 PSI
- High performance positive displacement pump
- 2 HP 3600 rpm self cooled motor
- Heavy Duty powder coated chassis
- Resistive touch screen
- Easy to use programming
- Industrial push button operation
- AgXcel Mag flow meter for unparalleled accuracy

**GX50 N-FUSE COMPONENTS**

PN#	DESCRIPTION
I	56446 LFP BASE LIFT (SET OF 2)
	38380 GX5 LFP 45 PUMP ONLY .5 - 11 GPM
	56204 GEARBOX FOR LFP45
J	56200 2HP 3600RPM INDUCTION MOTOR
K	50863 3/4" HB
	52214 POLY FEM TEE 3/4"
	50870 3/4" HB ELBOW
	52146 3/4" POLY STREET ELBOW

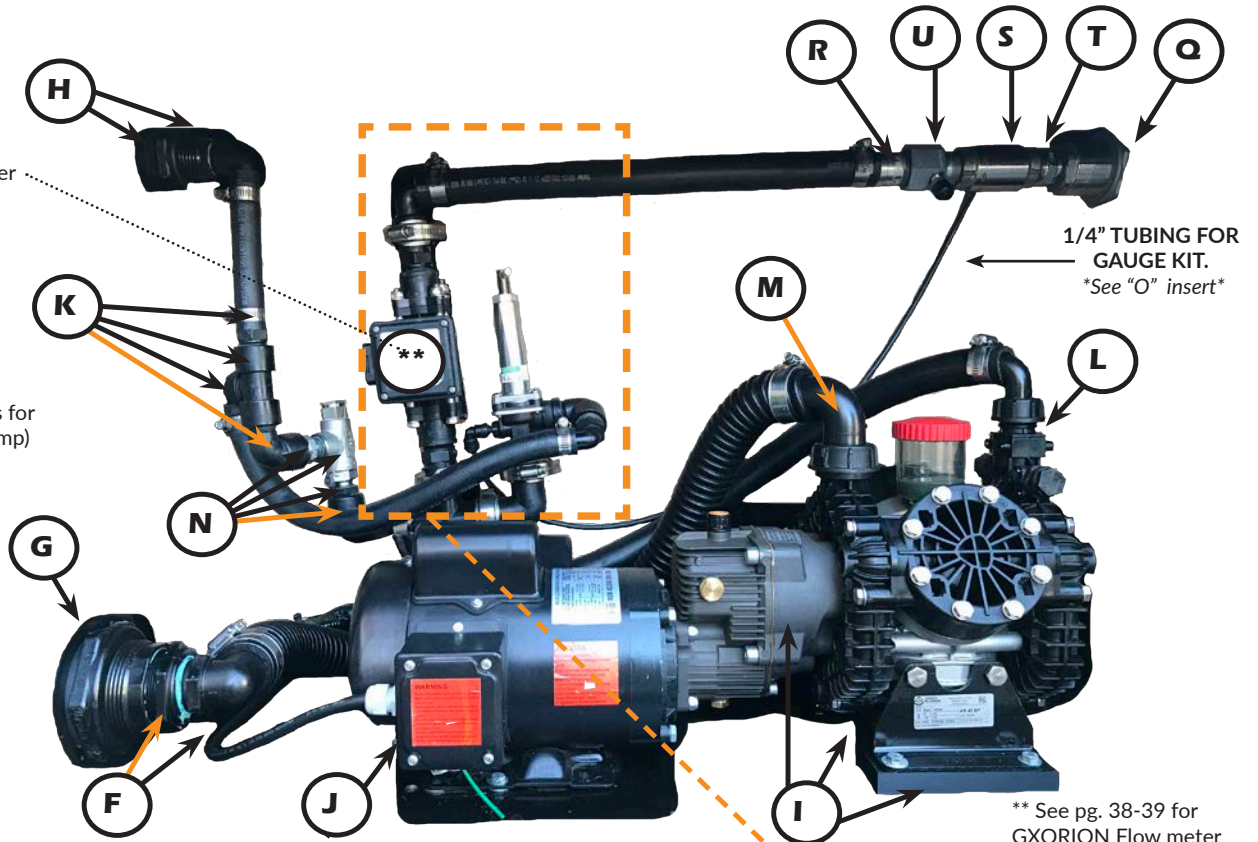
**GX50 N-FUSE COMPONENTS**

PN#	DESCRIPTION
A	51312 1" MANIFOLD TO 3/4" MANIFOLD
	33132 1" WORM SCREW CLAMP
	50016 3/4" EPDM GASKET
B	51369 1 1/4" HB MANIFOLD 2"
C	51366 2" MANIFOLD TEE W 1" MANIFOLD
	38267 2" WORM SCREW CLAMP
	38269 2" EPDM GASKET
D	51850 2" IN LINE T-STRAINER-50 MESH
E	51370 2" MANIFOLD 1 1/4" HB ELBOW
F	52084 2" REDUCING BUSHING 1 1/4"
	50886 1 1/4" HB ELBOW
G	52281 2" BUNG
H	52245 1" BUNG
	50879 1" MPT TO 3/4" HB ELBOW

L "PUMP OUT"	55771 1" ELBOW
	55770 RING NUT
	55920 O RING VITON FOR LFP45
	56629 1" 300 PSI BLK HOSE
	52194 1" CLAMP (NOT SHOWN)
M "PUMP IN"	55577 1 1/4" ELBOW
	55761 RING NUT
	55915 O RING VITON FOR LFP45
N	56588 KUNKLE PRESSURE RELIEF
	32415 3/4" X 1/2" SS NIPPLE
	52071 REDUCING BUSHING 3/4" X 1/2"
	52146 3/4" POLY STREET ELBOW
	51315 1" FLANGE 3/4" FPT (Not Shown)

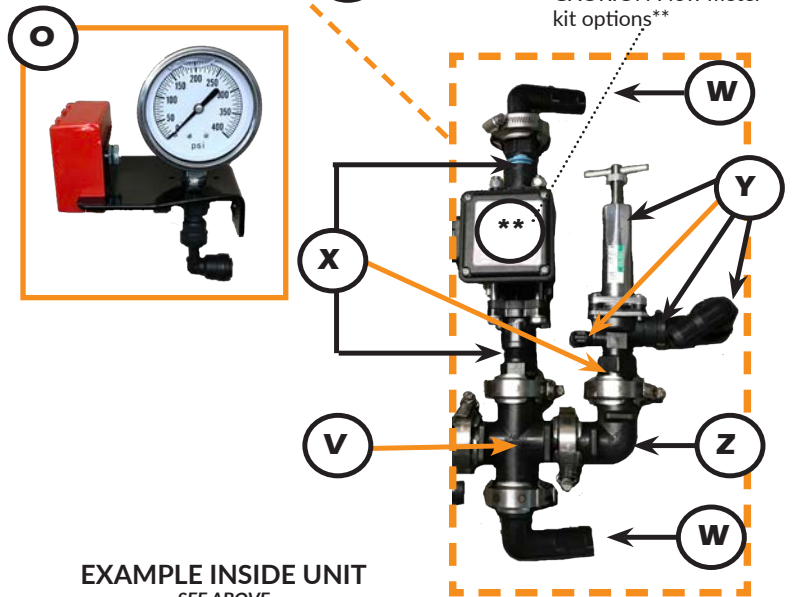
\*\* See pg. 38-39 for GXORION Flow meter kit options\*\*

(See pg. 71 - 75 for parts and kit options for LFP45 Hydraulic pump)



\*\* See pg. 38-39 for GXORION Flow meter kit options\*\*

O	17960	MG MOUNT
	20844	2.5 SS GAUGE 400 PSI
	19920	EVA14 TUBING
	168	QC9 3/8 FPT 1/4" QC
	20024	1/4" STEM TO 1/4" QC ELBOW
P	56528	SWIVEL NOZZEL (Not Shown)
Q	56537	1" BUNG SS
R	56536	1" KING HB SS
S	50253	1" CHECK VALVE
T	56619	1" NIPPLE SS316
U	51193	RELIEF VALVE ADAPTER
	49637	HYDROSTATIC RELIEF VALVE
V	51334	1" FLANGE CROSS
W	51328	1" FLANGE ELBOW
X DEPENDS UPON SIZE OF FLOW KIT	51316	1" FLANGE TO 3/4" MPT (Standard fitting)
	51338	1" FLANGE TO 1" MPT
Y	56631	PRESSURE RELIEF VALVE
	54456	SWIVEL 1/4" QC (For Gauge tubing)
	52146	3/4" POLY STREET ELBOW
	50870	3/4"HB ELBOW
Z	51333	1" MANIFOLD COUPLER 90 DEGREE



EXAMPLE INSIDE UNIT  
SEE ABOVE

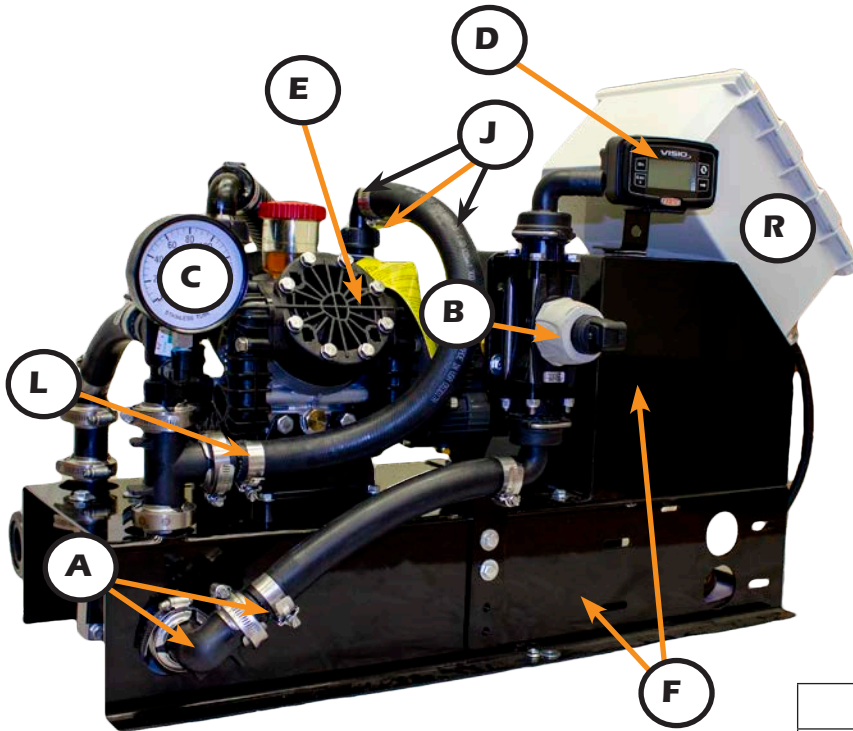


# GX50

The AgXcel GX50 Transfer system is a TRUE liquid chemical transfer solution. Unlike other systems that begin to lose overall GPM when pressure increases, the AgXcel GX50T can meet high pressure demands.

The GX50T can attain 2-10 GPM even as pressure increases when transferring liquid or injecting liquid into other containers. As the liquid transfer continues and pressure from the tank increases as volume increases, the GX50T's LFP pump can meet those challenges with a rating of up to 280PSI coupled with an AgXcel specified 220v custom motor.

**GX50 VISIO LITE - TRANSFER SYSTEM PN# 17955**



- Agxcel LFP45 positive displacement pump with Blue Flex Technology
- Can withstand demanding weather conditions and Harsh chemicals
- Low and High PH levels
- AISI 316 Stainless Steel components
- Internal valves feature expanded openings for efficiency
- VERY LOW Maintenance
- No priming issues
- Simple to use Visio Controller
  - Simple batch setup
  - Auto rate control
  - Totalizer
  - Instant Flow Rate
  - Status Update

**CHEMICAL INJECTION CAPABILITY**

- Can be used to inject at up to 220PSI
- Pressure regulated to reduce/increase GPM
- Safety Pressure Bypass Valve

LFP45 HYDRAULIC PUMP REPAIR KITS	37735	LFP45 ORING KIT
	55566	LFP45 VALVE KIT
	55568	LFP45 VITON DIAPHRAGM KIT
	55564	LFP45 BLUEFLEX DIAPHRAGM KIT

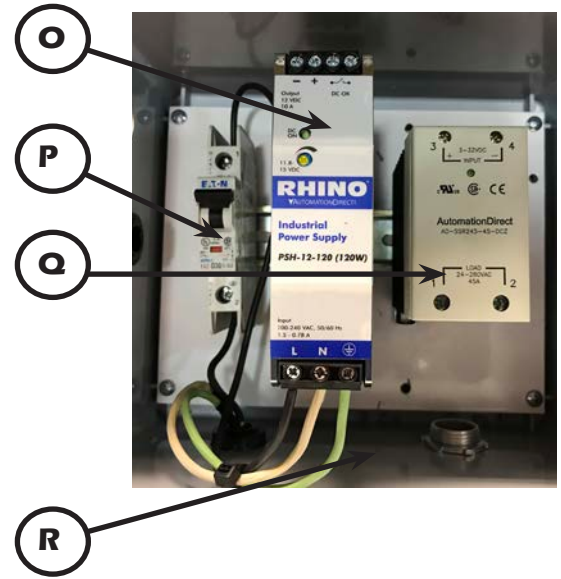
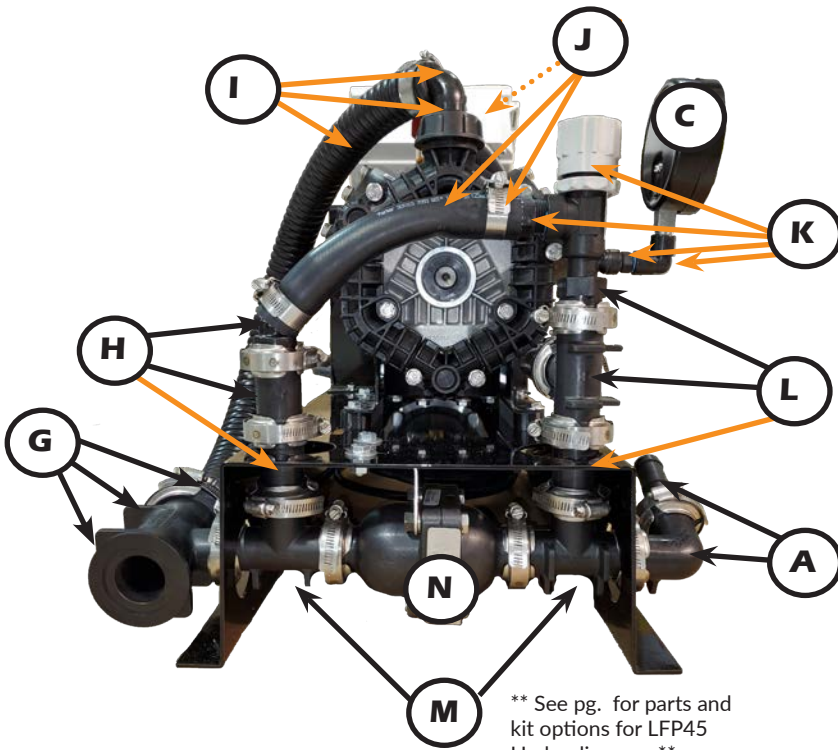
LFP45 - Diaphragm Pump Oil	
Specifically formulated for GX5 Diaphragm pumps.	
<ul style="list-style-type: none"> <li>● Advanced Lubrication Technology</li> <li>● BlueFlex Diaphragm compatible</li> <li>● SAE 30 Non-Detergent Oil</li> </ul>	
31326	LFP45 OIL QUART (CRANKCASE OIL CAPACITY 13 oz)
49538	GEAR BOX OIL QUART - 90W (GEARBOX OIL CAPACITY 15 oz)



GX50 VISIO LITE - TRANSFER COMPONENTS		
	PN#	DESCRIPTION
A	51333	1" MANIFOLD COUPLER ELBOW
	51326	1" MANIFOLD TO 1" HB
	33132	1" WORM SCREW CLAMP
	50016	3/4" EPDM GASKET
B	54649	1" T5 HB IN
	54650	3/4" T5 HB OUT
	55909	WOLF LF FLOW KIT
C	20844	400 PSI GAUGE SST
D	55659	VISIO CONTROLLER
	17702	MOUNTING BRACKET
E <small>(NOT ALL ITEMS ARE SHOWN)</small>	56446	LFP LIFT BASE (NEED 2)
	38380	GX5 LFP 45 PUMP ONLY .5 - 11 GPM
	56204	GEARBOX FOR LFP45
	56490	MOTOR ADAPTER
F	56200	2HP, 1 PHASE 115/230 VAC
	56419	BASE BRACKET
	56420	TOP HOOD

**IMPORTANT!!**

*ALL GX50 Visio Lite units come calibrated to the rates of the customer so there is no need to open and/or alter any setting within the electrical box*

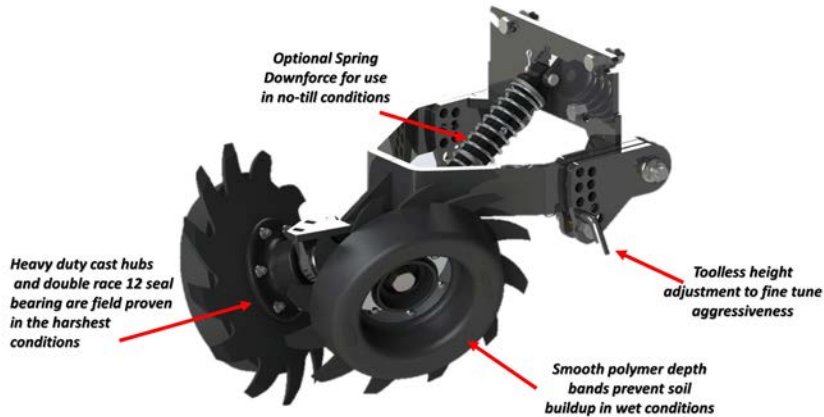


GX50 VISIO LITE - TRANSFER COMPONENTS		
PN#	DESCRIPTION	
G  (NOT ALL ITEMS ARE SHOWN)	38267	2" WORM CLAMP
	38269	2" GASKET
	51366	MANIFOLD 2" TEE 1" MANIFOLD
	51370	MANIFOLD 2" TO 1 1/4" HB ELBOW
	51369	MANIFOLD 2" TO 1 1/4" HB
H	51331	1" COUPLER
	33132	1" WORM SCREW CLAMP
	50016	GASKET
	51324	1" MANIFOLD 45 DEGREE 1" HB
	51347	1" MANIFOLD TEE
I  (PUMP INLET)	55577	1 1/4" ELBOW
	55761	RING NUT
	55915	ORING LFP45
	52195	1 1/4" PRESSURE CLAMP
	53580	1 1/4" SPIRAL HOSE
J  (PUMP OUTLET NOT SHOWN)  See opposite page	56629	1" 300 PSI HOSE
	52194	1" PRESSURE CLAMP
	55771	1" ELBOW
	55770	1" RING NUT
	55920	LFP45 ORING

PN#	DESCRIPTION	
K	39456	PRESSURE RELIEF
	50868	3/4" MPT TO 1" HB
	51995	1/4" NIPPLE
	50574	1/4" POLY ELBOW
L	51331	1" COUPLER
	51312	1" MANIFOLD TO 3/4" FPT
	51326	1" MANIFOLD HB
M	51347	1" MANIFOLD TEE
	51347	1" MANIFOLD TEE
N	53629	100 PSI SPIKE VALVE
	52814	90 DEGREE SPIKE VALVE BRACKET
O	56427	POWER SUPPLY 12 VDC
P	56309	GX50SOLIDSTATERELAY3-32VDC
Q	56569	GX50 CIRCUIT BREAKER 30A
	56539	POWERBLOCK_GX50 (Not Shown)
R	55830	ELECTRICAL BOX

NOTE! System should be properly rinsed after use to prevent chemical hardening inside causing long term damage to system components

Proper maintenance of unit will extend the life of the system.



The GX-ClearPath, a Floating Row Cleaner design, utilize a concave design, which extends durability of bearings and also preforms at a higher level than a traditional flat blade, that tends to push debris rather than effectively moving the debris.

Smooth polymer depth bands can be used instead of treaded bands due to the concave blades. This leads to less soil build-up while also maintaining a cost effective and reliable part.

The bracketing also allows you to seamlessly install Clean Sweep, with no additional brackets needed. The Spring Down-force can be added if needed.

Several models are available to fit most planters. We also offer versions for 30" & 20" spacing along with narrow rows for beans and twin rows.

Moving debris from the seed is essential for seed growth along with an accurate application of liquid fertilizer in-fur-row. With this combination, you are preparing the seed for success to provide higher yields.



AGXCEL PN#	ROW CLEANER DESCRIPTION	PLANTER MODELS
13162	GXCLEARPATH FLOATING ROW CLEANER COMPATIBLE WITH PRECISION PLANTING CLEAN SWEEP RH MODEL FOR 20"/22"/30" ROW SPACING	JOHN DEERE 7000 AND 1700 SERIES
13163	GXCLEARPATH FLOATING ROW CLEANER COMPATIBLE WITH PRECISION PLANTING CLEAN SWEEP LH MODEL FOR 20"/22"/30" ROW SPACING	
13164	GXCLEARPATH FLOATING ROW CLEANER COMPATIBLE WITH PRECISION PLANTING CLEAN SWEEP RH MODEL FOR 15" ROW SPACING	JOHN DEERE 1790/1795
13165	GXCLEARPATH FLOATING ROW CLEANER COMPATIBLE WITH PRECISION PLANTING CLEAN SWEEP LH MODEL FOR 15" ROW SPACING	
13166	GXCLEARPATH ROW CLEANER STEM COMPATIBLE WITH JD SCREW ADJUST TILLAGE SUPPORT HANGER RH MODEL 30-40" ROW SPACING	JOHN DEERE 1700 SERIES ROW UNITS WITH TILLAGE SUPPORT HANGER
13167	GXCLEARPATH ROW CLEANER STEM COMPATIBLE WITH JD SCREW ADJUST TILLAGE SUPPORT HANGER LH MODEL 30-40" ROW SPACING	
13168	GXCLEARPATH FLOATING ROW CLEANER COMPATIBLE WITH PRECISION PLANTING CLEAN SWEEP RH MODEL FOR 20"/22"/30" ROW SPACING	CASE IH 1200 AND 2000 SERIES
13169	GXCLEARPATH FLOATING ROW CLEANER COMPATIBLE WITH PRECISION PLANTING CLEAN SWEEP LH MODEL FOR 20"/22"/30" ROW SPACING	
13170	GXCLEARPATH FLOATING ROW CLEANER COMPATIBLE WITH PRECISION PLANTING CLEAN SWEEP RH MODEL FOR 20"/22"/30" ROW SPACING	KINZE 3000/4000/5000 SERIES AGCO 8000/9000 SERIES
13171	GXCLEARPATH FLOATING ROW CLEANER COMPATIBLE WITH PRECISION PLANTING CLEAN SWEEP LH MODEL FOR 20"/22"/30" ROW SPACING	
13208	HEAVY DUTY AIR CYLINDER WITH INTERNAL HYDRAULIC STYLE WIPER SEAL. 1/4" SST ELBOW FITTINGS. COMPATIBLE WITH THE PRECISION PLANTING CLEANSWEEP	



NOTE: ORDER HALF RH MODELS AND HALF LH MODELS. FOR EXAMPLE, ON A 16R PLANTER ORDER 8 RH AND 8 LH



## CRUST BUSTER & GREAT PLAINS

PN#	DESCRIPTION	IMAGE
53764	GXSSTCRUSTMINTILL CRUST BUSTER MIN-TILL DISC DRILL TUBE	
53721	GXCB3200 CRUST BUSTER 3200 HOE DRILL TUBE	
53722	GXALLPLANT CRUST BUSTER ALL PLANT 3400 DISC DRILL TUBE	
53723	GXCB4000-JDS CRUST BUSTER 4000 DRILL TUBES TAKES LEFT & RIGHT AFTER 2008	
53724	GXCBTS CRUST BUSTER TRASH SHANK DRILL TUBE	
53720	GX STEALTH FLEX COIL STEALTH OPENER	
53486	GXSST GPDD GREAT PLAINS MIN-TILL DOUBLE DISC DRILL TUBE (NOT HEAVY DUTY)	
53718	GXSSTGPHD GREAT PLAINS HOE DRILL	
54236	GXSSTGPDDHD GREAT PLAINS HEAVY DUTY DRILL STAINLESS STEEL TUBE	
38184	GXSSTGPTT400 GREAT PLAINS TUBE	

## KRAUSE

PN#	DESCRIPTION	IMAGE
53734	5400-PO KRAUSE 5400 PRECISION OPENER DRILL TUBE	
53736	GXSST5400NT KRAUSE 5400 NT DRILL	
53735	5400-RS KRAUSE 5400 NO-TILL DRILL	
53737	4500-NT KRAUSE 4500 NT DRILL	
53738	GXSST5200 KRAUSE 5200 DRILL	
53739	5400 PRO S KRAUSE 5400 DRILL	












## JOHN DEERE

PN#	DESCRIPTION	IMAGE
50561	GXSSTFURROWFORCE DUAL JOHN DEERE FURROWFORCE DUAL TUBE PLACEMENT FOR 2X2 APPLICATION	
18199R 18198L	JOHN DEERE PRO SERIES XP ROW UNIT SOYBEAN TUBE LEFT & RIGHT	



**JOHN DEERE**

**JOHN DEERE**

PN#	DESCRIPTION	
20143	GXSSTJD1700 JOHN DEERE 1700, 7200, 7300 SERIES PLANTER TUBE - MAX EMERGE NOT XP SERIES	
56929R 56928L	GXSSTJD9"KIT LEFT & RIGHT JD 1990, 750,1860,1560,1590,1 690,1890,1850	
53700	GXSSTJD7000 JOHN DEERE 7000 PLANTER TUBE	
53708	GXSSTJDCARRICO JOHN DEERE CARRICO PLANTER TUBE	
38180	GXSSTJD17XP-TT006 JD 1700 SERIES WITH XP ROW UNITS (PATENTED)	
19908	GXSSTJD177372 TT-002 JD1700, 7200, & 7300 NON XP UNITS, NOT OVERSIZE	
38176	GXSSTJD177372O TT-002OVERSIZED JD 1700, 7300, 7200 SERIES (NON XP) UNITS, OVERSIZED	
38172	REGULAR TT-001 - JD 7000, 7100 SERIES PLANTER AND KINZE 2000 SERIES PLANTER	
38174	GXSSTJD7071O TT001OS OVERSIZED	
53701	GXSST-JDBOOT316 JOHN DEERE BOOT ASSEMBLY	
53686L 53688R	GXSST-JDCCS LEFT & RIGHT JOHN DEERE CCS TUBE	

PN#	DESCRIPTION	
19979 19985 19974 19972	GXSSTDUAL2X2KIT-3/8 HB GXSSTDUAL2X2KIT-1/4 QC GXSSTDUAL2X2KIT-3/8 QC GXSST DUAL METAL BRACKET ONLY STAINLESS STEEL NITROGEN/LIQUID FERTILIZER PLACEMENT TUBE (ON REAR TAIL SECTION)	
53725	JD 1520/455-JDSK JD 1520 & 455 DRILL	
53727	JD 8300C JOHN DEERE 8300C DRILL TUBE	
53729	JD 515 DD JOHN DEERE 515 DRILL TUBE	
53730	JD520 JOHN DEERE 520 DRILL TUBE	
53728	JD 9300 JOHN DEERE 9300 HOE DRILL / LZ HOE DRILL TUBE	
56390	JD 9400 JOHN DEERE 9400 HOE DRILL TUBE	
53726	JD 9400 JOHN DEERE 9400 HOE DRILL TUBE (DIFFERENT STYLE)	
53763R 53753L	JD1560 JOHN DEER 1560 DRILL TUBE	
38187	JD MAXEMERGE 5 ROW UNIT - NOT FOR HIGH SPEED PLANTER TT007	
20156	GXSSTJD1700CCS XP - SHORT TAB JOHN DEERE 1700 SERIES WITH XP ROW UNITS.	
54084	GXSSTJD BACK/BESIDE TUBE JD 1700 STAINLESS STEEL TUBE SINGLE OUT THE BACK	
54083R 54082L	GXSSTJD1990LONGKIT-RIGHT GXSSTJD1990LONGKIT-LEFT  TUBES FOR JD 1990, 750, 1860,1560,1590,1690,1890,1850 DRILLS- LONG VERSION OF TUBE DOV THE CLOSING WHEEL ARM	

CASE IH , KINZIE

CASE IH, NOBLE, SUNFLOWER, ORTHMAN, WHITE & LANDOLL

PN#	DESCRIPTION	
53685	GXSST-IH-PW CASE IH PLANTER TUBE FOR PRESS WHEEL	
53681	GXSSTIH1200 CASE IH 1200 PLANTER TUBE MOUNTS ON SIDE OF SEED BOOT	
53707	GXSST-IH1200-316 CASE IH 1200 3/16" TUBE BELOW THE SEED PLACEMENT	
38198	GXSSTIH1200(2011 AND OLDER) CASE IH PLANTERS 2011 AND OLDER	
53713	GXSSTIH1200NEWER CASE IH 1200 PLANTERS (NEWER MODEL - YEAR 2012)	
53714	GXSST-301 KINZE 3000 SERIES	
53731	IH 150 SPECIAL SS CASE IH 150 SOLID SHAFT DRILL TUBE	
53745R 53744L	GXSSTSDX40 CASE CASE SDX DRILL (RIGHT & LEFT)	
18202	GXTT-300CASE - CASE IH PLANTER NITROGEN AND/OR LIQUID FERTILIZER TUBE - WILL NOT WORK WITH THE NEW CASE 2150.	
18197	GXSSTT125CASE TT-125, CASE-IH BELOW SEED TUBE	

PN#	DESCRIPTION	
53752	IH 8500AS IH 8500 AIR SEEDER DRILL TUBE	
53733R 53732L	IH 5400 CASE IH 5400 DRILL (RIGHT & LEFT)	
53742	SUN 9400 SUNFLOWER 9400 DRILL TUBE	
53741	NOBEL RS NOBEL RS DRILL TUBE	
53658	GXSST-NAS NOBEL AIR SEEDER	
18160	GXSSTORTHMAN1TRIPPER ORTHMAN 1 TRIPPER	
53746	GXSSTLANDOLL LANDOLL DRILL TUBE (HARDWARE KIT PN#38325)	
53765	S5-6100 WHITE PLANTER DRILL TUBE	
18196	GXSSTT260WHITE FOR WHITE 6000 SERIES PLANTER	
18009	GXSST_500 CNH2100AS CASE IH 2100 SERIES INFURROW TUBE TO APPLY LIQUID AFTER THE SEED	

**JOHN DEERE PLANTER TANK KIT**

- Brackets are custom designed for each planter
- Laser cut and powder coated to withstand the most demanding conditions
- All tanks are pre-measured

**PLEASE NOTE:** AgXcel does **NOT** accept any liability for damage to planters due to fluid or weight capacities determined to be in excess of the limits that the original planter manufacturer states is acceptable for their specific make and model.

**JOHN DEERE PLANTERS - CALL FOR PRICING**



AGXCEL PN#	PLANTER DESCRIPTION	TANK SIZE
54220	JD 1760/1765 12R 30 in	2 X 200 GALLON ELLIPTICAL
53851	JD 1770 (1995-2004) NON-NT 16R 30 in	300 GALLON ELLIPTICAL
53852		400 GALLON ELLIPTICAL
53853		500 GALLON ELLIPTICAL
569	JD 1770NT/1775NT 16R 30 in (row boxes)	300 GALLON ELLIPTICAL
583		400 GALLON ELLIPTICAL
577		500 GALLON ELLIPTICAL
584		750 GALLON ELLIPTICAL
53849	JD 1770NT/1775NT CCS 12R 30 in	300 GALLON ELLIPTICAL
53850		400 GALLON ELLIPTICAL
55135		500 GALLON ELLIPTICAL
53851	JD 1770NT/1775NT CCS 16R 30 in	300 GALLON ELLIPTICAL
53852		400 GALLON ELLIPTICAL
53853		500 GALLON ELLIPTICAL
55232		750 GALLON ELLIPTICAL
55251	JD 1770NT/1775NT CCS 16R 30 in w/o markers	750 GALLON ELLIPTICAL
40390	JD 1770NT/1775NT CCS 24R 30 in	300 GALLON ELLIPTICAL
40397		400 GALLON ELLIPTICAL
53854		500 GALLON ELLIPTICAL
53874		750 GALLON ELLIPTICAL

**GX TBTM CENTER FILL KIT\***

- PN# 38385



Plumbing kits and different configurations available.

Order separately  
\*Not included with tank

**NOTE:** For plumbing kit options see pages 47-51

## JOHN DEERE PLANTERS - CALL FOR PRICING

AGXCEL PN#	PLANTER DESCRIPTION	TANK SIZE
54218	JD 1770NT/1775NT 12R WING TANKS	2 X 150 GALLON ROUND
54217		2 X 200 GALLON ROUND
54214	JD 1770NT/1775NT 16R WING TANKS	2 X 150 GALLON ROUND
54215		2 X 200 GALLON ROUND
55252	JD 1770NT/1775NT 24R WING TANKS	2 X 150 GALLON ROUND
55253		2 X 200 GALLON ROUND
55254	JD 1770NT/1775NT 24R WING TANKS (row boxes)	2 X 150 GALLON ROUND
55087		2 X 200 GALLON ROUND
589	JD 1770NT/1775NT12R & 16R 30 in (row boxes)	300 GALLON YELLOW ELLIPTICAL
53855	JD 1790/1795 12/23R 15 in	300 GALLON ELLIPTICAL
53556		400 GALLON ELLIPTICAL
53858	JD 1790/1795 16/31R 15 in	300 GALLON ELLIPTICAL
53886		400 GALLON ELLIPTICAL
53868		500 GALLON ELLIPTICAL
53870	JD 1790/1795 24R 20 in	300 GALLON ELLIPTICAL
53869		400 GALLON ELLIPTICAL
53868		500 GALLON ELLIPTICAL
55105	JD 1790/1795 WING TANKS	2 X 100 GALLON ROUND
54212	JD DB 60'	300 GALLON ELLIPTICAL
54213		400 GALLON ELLIPTICAL
53872		500 GALLON ELLIPTICAL
40398		750 GALLON ELLIPTICAL
54216	JD DB 80' / 90' / 120'	400 GALLON ELLIPTICAL
53873		500 GALLON ELLIPTICAL
53874		750 GALLON ELLIPTICAL
20103		850 GALLON ELLIPTICAL
55255		JD DB WING TANKS PRE-2012
55257	2 X 200 GALLON ROUND	
55256	JD DB WING TANKS 2012 AND NEWER	2 X 150 GALLON ROUND
55258		2 X 200 GALLON ROUND
54031	JD DB 1890/1990	300 GALLON ELLIPTICAL
54032		400 GALLON ELLIPTICAL
54033		500 GALLON ELLIPTICAL
54034	JD 1590 15 in	300 GALLON ROUND



Order separately  
\*Not included with tank

**GX FILL KIT\***  
• PN# 17642



NOTE: For plumbing kit options see pages 47-51

**PLEASE NOTE:** AgXcel does **NOT** accept any liability for damage to planters due to fluid or weight capacities determined to be in excess of the limits that the original planter manufacturer states is acceptable for their specific make and model.

Plumbing kits and different configurations available.

IH PLANTERS - CALL FOR PRICING

AGXCEL PN#	PLANTER DESCRIPTION	TANK SIZE
54038	CASE IH 500 30FT	300 GALLON ELLIPTICAL
54039		400 GALLON ELLIPTICAL
54040		500 GALLON ELLIPTICAL
54041	CASE IH 500 40FT	300 GALLON ELLIPTICAL
54042		400 GALLON ELLIPTICAL
54043		500 GALLON ELLIPTICAL
53887	CASE IH 1250 12R 30in	300 GALLON ROUND
53888	CASE IH 1250 16R 30in	300 GALLON ROUND
53889		400 GALLON ROUND
55237	CASE IH 1250 24R 30in	300 GALLON ELLIPTICAL
55238		400 GALLON ELLIPTICAL
54474		500 GALLON ELLIPTICAL (gray)
55236		500 GALLON ELLIPTICAL (white)
40403	CASE IH 1255 12R 30 in	300 GALLON ROUND
54219	CASE IH 1255 16R 30 in	300 GALLON ELLIPTICAL
53891		300 GALLON ROUND
53892		400 GALLON ROUND
54444	CASE IH 1255 12R 30 in (row boxes)	400 GALLON ELLIPTICAL
40404	CASE IH 1255 24R 30 in	300 GALLON ELLIPTICAL
40405		400 GALLON ELLIPTICAL
53893		500 GALLON ELLIPTICAL (gray)
55239		500 GALLON ELLIPTICAL (white)
53894		750 GALLON ELLIPTICAL (gray)
55240		750 GALLON ELLIPTICAL (white)
54221	CASE IH 1260/1265 60'	300 GALLON ELLIPTICAL
54222		400 GALLON ELLIPTICAL
54223		500 GALLON ELLIPTICAL (gray)
55241		500 GALLON ELLIPTICAL (white)
55242		750 GALLON ELLIPTICAL (gray)
55224		750 GALLON ELLIPTICAL (white)
54225	CASE IH 1260/1265 80' & 90'	400 GALLON ELLIPTICAL
53893		500 GALLON ELLIPTICAL (gray)
55239		500 GALLON ELLIPTICAL (white)
53894		750 GALLON ELLIPTICAL (gray)
55240		750 GALLON ELLIPTICAL (white)
54213	CASE IH 2150 24R 30 in	300 GALLON ELLIPTICAL
54244		400 GALLON ELLIPTICAL
17727		500 GALLON ELLIPTICAL (gray)
17718		500 GALLON ELLIPTICAL (white)
55945		750 GALLON ELLIPTICAL (gray)
55928		750 GALLON ELLIPTICAL (white)

CASE IH TANK KIT

- Brackets are custom designed for each planter
- Laser cut and powder coated to withstand the most demanding conditions
- All tanks are pre-measured



**PLEASE NOTE:** AgXcel does **NOT** accept any liability for damage to planters due to fluid or weight capacities determined to be in excess of the limits that the original planter manufacturer states is acceptable for their specific make and model.

**NOTE:** For plumbing kit options see pages 47-51

KINZIE PLANTERS - CALL FOR PRICING

## KINZIE PLANTER TANK KIT

- Brackets are custom designed for each planter
- Laser cut and powder coated to withstand the most demanding conditions
- All tanks are pre-measured

**PLEASE NOTE:** AgXcel does **NOT** accept any liability for damage to planters due to fluid or weight capacities determined to be in excess of the limits that the original planter manufacturer states is acceptable for their specific make and model.



AGXCEL PN#	PLANTER DESCRIPTION	TANK SIZE	# TANKS
55247	KINZE 3000 6/11R (single frame only)	150 GALLON ROUND	1
55249		200 GALLON ROUND	1
55248		150 GALLON ROUND	2
55250		200 GALLON ROUND	2
53917	KINZE 3200 12R 30 in	200 GALLON ELLIPTICAL	2
53918	KINZE 3500 8/15R 15 in	100 GALLON ROUND	2
54569	KINZE 26XX/36XX (non-interplant)	100 GALLON ROUND	2
40415		150 GALLON ROUND	2
53926		200 GALLON ROUND	2
53918	KINZE 2600/3600 PRE-2010 INTEPLANT	100 GALLON ROUND	2
53923	KINZE 3600 2010 & NEWER (Interplant & boxes)	100 GALLON ROUND	2
40411		150 GALLON ROUND	2
53920		200 GALLON ROUND	2
53921	KINZE 3600 2010 & NEWER (Interplant & ASD)	100 GALLON ROUND	2
40413		150 GALLON ROUND	2
40410		200 GALLON ROUND	2
53922	KINZE 3660 (Interplant and Boxes or ASD)	100 GALLON ROUND	2
53924		150 GALLON ROUND	2
53925		200 GALLON ROUND	2
54226	KINZE 4900 12R 30 in	300 GALLON ROUND	1
54227		400 GALLON ROUND	1
55244	KINZE 4900 16R 30 in	300 GALLON ELLIPTICAL	1
55245		400 GALLON ELLIPTICAL	1
54230		500 GALLON ELLIPTICAL (gray)	1
55243		500 GALLON ELLIPTICAL (white)	1
54228	KINZE 4900 24R 30 in	300 GALLON ELLIPTICAL	1
54229		400 GALLON ELLIPTICAL	1
55246		500 GALLON ELLIPTICAL (gray)	1
53881		500 GALLON ELLIPTICAL (white)	1



**NOTE:** For plumbing kit options see pages 47-51.

WHITE PLANTERS - CALL FOR PRICING

**WHITE PLANTER TANK KIT**

- Brackets are custom designed for each planter
- Laser cut and powder coated to withstand the most demanding conditions
- All tanks are pre-measured

**PLEASE NOTE:** AgXcel does **NOT** accept any liability for damage to planters due to fluid or weight capacities determined to be in excess of the limits that the original planter manufacturer states is acceptable for their specific make and model.



AGXCEL PN#	PLANTER DESCRIPTION	TANK SIZE	# of TANKS
53896	WHITE 8816 16R 30 in	300 GALLON ELLIPTICAL	1
53897		400 GALLON ELLIPTICAL	1
53898	WHITE 8824 24R 30 in	300 GALLON ELLIPTICAL	1
53899		400 GALLON ELLIPTICAL	1
53900	WHITE 9816 16R 30 in	300 GALLON ELLIPTICAL	1
53901		400 GALLON ELLIPTICAL	1
53902	WHITE 9824 24R 30 in	300 GALLON ELLIPTICAL	1
53903		400 GALLON ELLIPTICAL	1
38197	WHITE 8816/9816 16R 30 in	250 GALLON SIDE MOUNT	2
54357	WHITE 88XX/98XX 16 & 24R 30 in w/o markers	300 GALLON ELLIPTICAL	1
54358		400 GALLON ELLIPTICAL	1
54389		500 GALLON ELLIPTICAL	1

**GX TBTM CENTER FILL KIT\***

- PN# 38385



**NOTE:** For plumbing kit options see pages 47-51

Order separately  
\*Not included with tank

Plumbing kits and different configurations available.



## UNIVERSAL PLANTER TANK KIT

UNIVERSAL PLANTERS - CALL FOR PRICING

- Brackets are custom designed for each planter
- Laser cut and powder coated to withstand the most demanding conditions
- All tanks are pre-measured
- 2 - 200 gallon wing mount universal tanks shown below on an 1790 Planter



AGXCEL PN#	PLANTER DESCRIPTION	TANK SIZE	# of TANKS
53914	UNIVERSAL (WHITE TANK)	100 GALLON ROUND	1
53915		150 GALLON ROUND	1
53916		200 GALLON ROUND	1
54003	UNIVERSAL (YELLOW TANK)	100 GALLON ROUND	1
54232		150 GALLON ROUND	1
54233		200 GALLON ROUND	1



UNIVERSAL STAND

AGXCEL PN#	PLANTER DESCRIPTION	TANK SIZE
		TANK NOT INCLUDED
55297	UNIVERSAL STAND ONLY (NO TANK)	100 GAL ROUND (ACE ONLY)
55298		150 GALLON ROUND
55299		200 GALLON ROUND
56012	UNIVERSAL T STAND ONLY (NO TANK)	100 GAL ROUND (ACE ONLY)
56013		150 GALLON ROUND
56014		200 GALLON ROUND



UNIVERSAL "T" STAND

Order separately  
\*Not included with tank

**GX FILL KIT\***  
• PN# 17642



NOTE: For plumbing kit options see pages 47-51

**PLEASE NOTE:** AgXcel does **NOT** accept any liability for damage to planters due to fluid or weight capacities determined to be in excess of the limits that the original planter manufacturer states is acceptable for their specific make and model.

Plumbing kits and different configurations available.

# Precision Liquid Fertilizer Systems

# AgXcel

**2026  
Parts Catalog**

**2106 F Avenue  
Kearney, NE  
info@agxcel.com  
877.218.1981**

